



OPERA[®]

OPERATING ACCESS

PRICE LIST 20

20
ANNIVERSARY

WELCOME IN SECURITY

**OPERA IS AN INDEPENDENT COMPANY.
THE PRODUCTION PREMISES ARE BASED
IN MODENA - ITALY, TOWN WITH AN OLD TRADITION
IN LOCK MANUFACTURING**

The company was set up in 1997 and it is specialised in the manufacturing of electronic locks and doors accessories. From a company that manufactured products, Opera has evolved into a company that offers solutions aimed at improving the security and safety of individuals and their belongings. Today with more than 20 people and advanced production means, Opera is at the top of the European ranking of locks manufacturers.



Innovators since 1997

**“It doesn’t make sense to hire smart people and tell them what to do;
we hire smart people so they can tell us what to do”**

Steve Jobs

This is the way we move in our job. We transform ideas in projects because we believe in our people and in their skills.

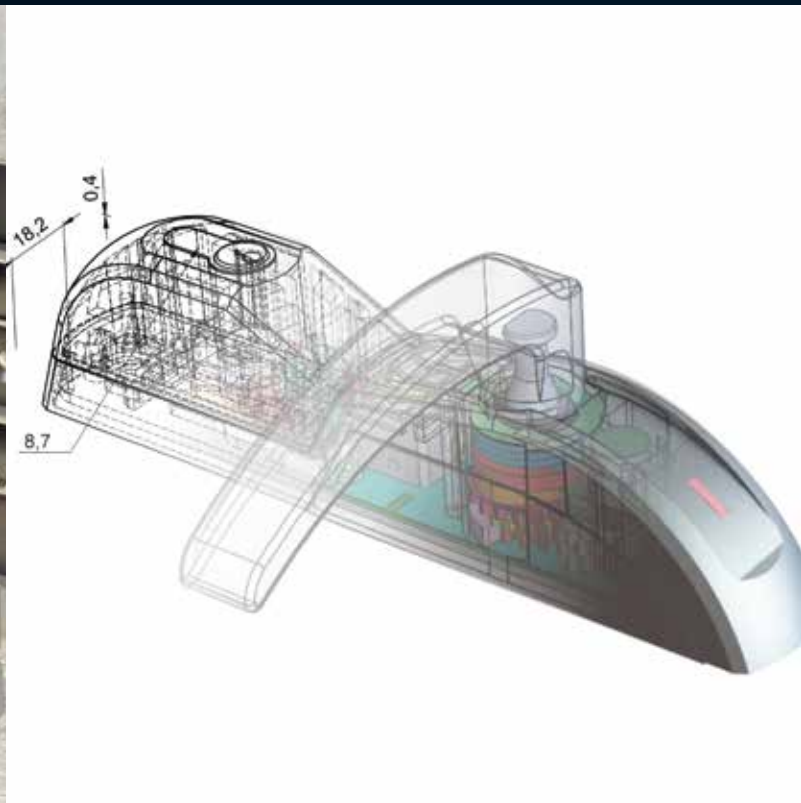




20th ANNIVERSARY of founding and commencement of business

To mark this milestone, Opera launched a two years series of projects and new products represented in this catalogue. We take pride in the things we do and are definitely proud of what we have achieved in 20 years, which we would like to showcase to the world.





“MADE IN OPERA”
THIS IS MUCH MORE
THAN MADE IN ITALY.

100% LISTENING

Installation technicians, doors manufacturers, technical departments of the biggest companies producing security products, are our source. The request comes from the market and becomes our goal. To manufacture a product as the customer wishes is the only way of working we believe in.



100% SKILL

Engineers, electronics experts, mechanical technicians are our Research and Development department. We perform our ideas using the most innovative project software and the most modern laser cutting machines for quick prototyping.

100% MADE IN ITALY

We produce in Italy. We do not outsource production abroad; we believe in the quality of Italian companies and of our suppliers who are 90% from within Italy. Our high quality products are produced respecting environment and all relevant European standards



100% COMMUNICATION

Our products fit for everybody. In 2013 we have created OPERA ACADEMY to update and inform the sales net about new products and field rules. In our headoffice in Modena, there is a dedicated meeting room at your disposal. You can contact us to fix an appointment, you will be our guest. If you wish, you could also visit our town and enjoy motors and gastronomy tours with professional tourist guides.

100% HOSPITABILITY

Technical data, prices, positive and negative peculiarities are visible to everybody. You only have to call or visit us on the web to get all the product information you need.



SAFETY



ELECTROMAGNETIC SECURITY LOCKS AND ELECTROMAGNETIC LOCKS ACCESSORIES, SAFETY SERIES 24-42



ELECTRONIC CONTROL UNITS FOR ELECTROMAGNETIC SECURITY LOCKS, SAFETY SERIES 43



OPERATING SYSTEM FOR CONTROLLED EMERGENCY EXITS, EXIT SYSTEM SERIES 44-46



SELF-CONTROLLED ALARM SYSTEM FOR CONTROLLED EMERGENCY EXITS, ALARM SYSTEM SERIES 47

FIRE CONTROL



HOLD OPEN ELECTROMAGNETS FOR FIRE DOORS, FIRE CONTROL SERIES 48-59



HYDRAULIC DAMPERS AND HYDRAULIC IMPACT SHOCK ABSORBERS FOR SLIDING FIRE DOORS 60-62



SINGLE ZONE FIRE PANEL, FIRE CONTROL SERIES 63-65

SMART TRIM



ELECTRIC HANDLES, SMART TRIM 66-77

OMNIA



ELECTRIC STRIKES, OMNIA MICRO SERIES 78-84

	ELECTRIC STRIKES, OMNIA RADIAL SLIDE SERIES	85-86
	ELECTRIC STRIKES, OMNIA 16 SERIES	87
	SECURITY ELECTRIC STRIKES, OMNIA 1000 REVERSIBLE	88
	SECURITY ELECTRIC STRIKES FOR ANTI-PANIC BARS, OMNIA EXIT SERIES	89
	SECURITY ELECTRIC STRIKES, OMNIA BLINDO 700/BLINDO 1000/GLASS SERIES	90-92
	FRONT PLATES FOR SECURITY ELECTRIC STRIKES AND LATCH LOCKS	93-101
QUADRA		
	HORIZONTAL SECURITY SOLENOID LOCKS, QUADRA MICRO SERIES	102-110
	HORIZONTAL SECURITY SOLENOID LOCKS, QUADRA SERIES	111-115
	ACCESSORIES FOR SECURITY SOLENOID LOCKS, QUADRA SERIES	116-117
ARCA		
	ELECTRIC CABINET LOCKS, ARCA/ARCA KEY/ARCA SLIDE SERIES	118-127



Index



ELECTROMECHANICAL LOCKS FOR DOUBLE ACTION DOORS, SWING SERIES 128

OPERATING SYSTEM FOR SINGLE OR INTERLOCKED DOORS 129

COMMAND CONSOLE, CONTROL SYSTEM SERIES 130-131

PRIMA



VERTICAL SECURITY SOLENOID LOCKS, PRIMA SERIES 132-141

VERTICAL SECURITY SOLENOID LOCKS, PRIMA OP SERIES 142-143

VERTICAL SECURITY SOLENOID LOCKS, PRIMA MAXI SERIES 144-147

CLASSICA



HORIZONTAL SECURITY SOLENOID LOCKS, CLASSICA SERIES 148-155

GATE



SURFACE FIXING SECURITY LOCKS, GATE LOCK SERIES 156-163



SECURITY ELECTRIC SOLENOID LOCK, GATE BOLT SERIES 164-169



MAXIMA

MOTORISED SWINGING DEADBOLT ELECTROMECHANICAL LOCKS

170-176

SENSITIVE BARS AND CARDS

177

PROFILOINDICATOR LAMPS AND INTERCOM SYSTEM, PROFILO DESIGN/PROFILO/PROFILO OP
SERIESS

178-191



ACCESSORIES FOR ELECTRONIC CIRCUITS

192



DOOR ALIGNMENT SENSORS AND CONTACTS

193



SPARE PARTS FOR STRIKING PLATES

194



LEAD COVERS AND ANTI-REBOUND BALL-CATCH

195



BOXES - TRANSFORMERS - TIMERS - POWER SUPPLIERS - BACKUP BATTERIES

196-197



REMOTE CONTROLS AND RECEIVERS

198-199

LINEA HOTEL

ACCESS CONTROL SYSTEM, LINEA HOTEL SERIES

200-209



ACCESS



PEOPLE COUNTER



ACCESS CONTROL SYSTEM, ACCESS MULTILINK NET SERIES	210-218
DEVICES FOR ACCESS MULTILINKNET AND MINILINK SERIES AND ACCESSORIES	219-223
ELECTRIC HANDLE ACCESS SERIES	224-225
BLUETOOTH OPENER BLUETECH SERIES	226-227
GSM OPENER HIT SERIES	228-233
DIGITAL DOOR VIEWER - iVISION SERIES	234-235
ACCESS CONTROL FOR SELF-SERVICE BANK ATM	236-238
ACCESS CONTROL SYSTEM, ACCESS KEYPAD SERIES	239-241
ACCESS CONTROL SYSTEM, ACCESS TOUCH KEY SERIES	242-243
ACCESS CONTROL SYSTEM, ACCESS BIOMETRIC SERIES	244-245
PEOPLE COUNTER SYSTEM, PEOPLE COUNTER SERIES	246-253
HIGH SECURITY FLAT WRENCH CYLINDERS	254
SALES CONDITIONS	255

Index

PAG.	ART.	DESCRIPTION	€
65/197	00112	Battery	37,00
39	00142	Connector for magnet 142 series	15,00
39	00147	Fixing plate for 14700TD	11,00
39	00147N	Fixing plate for 14700TDN	13,00
197	00212	Battery	40,40
160	00280	Fixing plate for electric lock	25,00
160	00280C	Spacer for electric lock	2,60
160	00280L	Spacer for electric lock	12,00
160	00280S	Spacer for electric lock	4,20
160	00281	Striking plate for electric lock	42,00
163	00282	Striking plate for electric lock	42,00
163	00282C	Spacer for electric lock 282	2,60
163	00282L	Spacer for electric lock 282	12,00
163	00282S	Spacer for electric lock 282	4,20
89	00360B	Spacer for rim electric strikes	1,60
89	00360BG	Spacer for rim electric strikes	1,60
71	00406	Fixing plate for electric handle	21,00
75	00428	Fixing plate for electric handle	58,00
234	00577	Barrel for digital viewer	6,00
197	00712	Battery	48,60
39	01127	Armature plate for magnets - spare part	47,00
39	01130	Armature plate for magnets - spare part	54,00
39	01134	Armature plate for magnets - spare part	50,00
39	01137	Armature plate for magnets - spare part	50,00
39	01137L	Armature plate for magnets - spare part	50,00
52	01620	Magnetic door holder	29,80
52	01620I	Magnetic door holder	35,80
52	01630	Magnetic door holder	33,00
52	01630I	Magnetic door holder	47,00
56	01740	Telescopic wall or floor bracket	53,40
56	01740B	Telescopic wall or floor bracket	53,40
56	01740BF	Wall or floor bracket	39,50
56	01740F	Wall or floor bracket	39,50
56	01740M	Telescopic wall or floor bracket	58,00
53/189	01780	Box for flush mounting	15,00
56	01800Z	Fixed striking plate	13,00
56	01805Z	Adjustable striking plate	16,30
254	01808	Extra key	31,00
56	01810Z	Fixed striking plate	26,20
56	01815Z	Adjustable striking plate	29,50
52	01820	Magnetic door holder	46,60
52	01820I	Magnetic door holder	60,00
52	01830	Magnetic door holder	50,00
52	01830I	Magnetic door holder	76,00
116	02060	Fixing plate for horizontal solenoid bolt	15,00
116	02065	Fixing plate for horizontal solenoid bolt	69,00
116	02114	Front plate for mechanical override	60,00
116	02114S	Front plate for mechanical override	98,00
116	02160	Fixing plate for horizontal solenoid bolt	15,00
116	02165	Fixing plate for horizontal solenoid bolt	69,00
194	02208	Striking plate for solenoid bolt Quadra Micro series	28,00
194	02208R	Striking plate for solenoid bolt Quadra Micro series	32,00
194	02218	Striking plate for solenoid bolt Quadra series	28,00
194	02218R	Striking plate for solenoid bolt Quadra series	32,00
193	02221	Magnetic sensor	54,00
193	02223	Magnetic sensor	19,00
193	02225	Mechanical contact	35,00
124	02238	Replacement item for Arca Slide	95,00
124	02238CF	Replacement item for Arca Slide	40,00
125	02238S	Replacement item for Arca Slide	95,00
254	02250	Defender	40,00
174	02250L	Defender for Maxima	65,00
254	02251	Spacer for Defender	1,80
194	02255	Striking plate for Maxima lock	39,00
194	02258D	Striking plate for Prima and Classica lock	36,00
194	02258DSA	Striking plate for Prima and Classica lock	60,00
194	02259	Striking plate for Prima and Classica lock	36,00
194	02259SA	Striking plate for Prima and Classica lock	60,00
194	02260D	Striking plate for Prima and Classica lock	36,00
194	02260DSA	Striking plate for Prima and Classica lock	60,00
168	02288	Fixing plate for 288 Gate bolt	31,00



Index

PAG.	ART.	DESCRIPTION	€
164	02290	Floor plate	45,00
128	02300	Striking plate	16,00
128	02301	Striking plate	21,00
124	02308	Cover for Arca Key	66,00
124	02308 CF	Cover for Arca Key	66,00
141	02309	Cover for Prima series lock	140,00
154	02708	Cover for Prima series lock	165,00
36	03000	Mounting bracket for electromagnetic lock	34,40
36	03000N	Mounting bracket for electromagnetic lock	40,00
36	03001	Mounting bracket for electromagnetic lock	120,00
36	03001N	Mounting bracket for electromagnetic lock	137,60
36	03002	Mounting bracket for electromagnetic lock	34,40
36	03003	Mounting bracket for electromagnetic lock	36,00
36	03004	Mounting bracket for electromagnetic lock	22,00
36	03004A	Mounting bracket for electromagnetic lock	35,50
36	03005	Cover carter	40,00
36	03006	Cover carter	48,00
37	03007	Bracket for glazed doors	54,00
94	03010	Front plate for electric strike	3,50
94	03010S	Front plate for electric strike	3,50
94	03030	Front plate for electric strike	5,50
94	03030CRO	Front plate for electric strike	7,80
94	03030GD	Front plate for electric strike	5,50
94	03030 GDR	Front plate for electric strike	14,00
95	03031	Front plate for electric strike	15,00
95	03130	Front plate for electric strike	6,30
95	03131	Front plate for electric strike	15,00
95	03132	Front plate for electric strike	15,60
95	03162	Front plate for electric strike	10,80
95	03162BA	Front plate for electric strike	10,80
96	03310	Front plate for electric strike	4,70
96	03310R	Front plate for electric strike	5,00
96	03330	Front plate for electric strike	7,30
96	03331	Front plate for electric strike	15,60
96	03342	Front plate for electric strike	15,60
97	03370	Front plate for electric strike	15,00
97	03370R	Front plate for electric strike	17,00
97	03371	Front plate for electric strike	15,00
97	03372	Front plate for electric strike	15,00
97	03374	Front plate for electric strike	15,00
97	03374R	Front plate for electric strike	17,00
97	03375	Front plate for electric strike	15,00
98	03410	Front plate for electric strike	8,30
98	03411	Front plate for electric strike	9,40
98	03431	Front plate for electric strike	50,00
98	03442	Front plate for electric strike	16,00
98	03442 BA	Front plate for electric strike	16,00
98	03445	Front plate for electric strike	18,00
98	03445 GD	Front plate for electric strike	21,00
98	03446	Front plate for electric strike	18,00
98	03446 GD	Front plate for electric strike	21,00
37	03500	Striking plate for electromagnetic lock	33,00
37	03500N	Striking plate for electromagnetic lock	39,00
37	03501	Striking plate for electromagnetic lock	70,00
37	03501N	Striking plate for electromagnetic lock	80,00
177	03510	Vertical handle	122,00
177	03515	Vertical Handle	122,00
177	03520	Horizontal handle	122,00
177	03525	Horizontal handle	122,00
37	03600	Striking plate for electromagnetic lock	33,00
37	03600N	Striking plate for electromagnetic lock	39,00
37	03601	Striking plate for electromagnetic lock	103,00
37	03601N	Striking plate for electromagnetic lock	119,00
37	03700	Striking plate for electromagnetic lock	33,00
37	03700N	Striking plate for electromagnetic lock	39,00
37	03701	Striking plate for electromagnetic lock	119,00
37	03701N	Striking plate for electromagnetic lock	136,00
37	03705	Cover carter	40,00
38	03706	Cover carter	48,00
38	03707	Striking plate for electromagnetic lock	57,00
38	03707L	Striking plate for electromagnetic lock	57,00



PAG.	ART.	DESCRIPTION	€
38	03707LN	Striking plate for electromagnetic lock	69,00
38	03707N	Striking plate for electromagnetic lock	69,00
38	03708	Striking plate for electromagnetic lock	132,00
38	03708L	Striking plate for electromagnetic lock	165,00
38	03708LN	Striking plate for electromagnetic lock	188,00
38	03708N	Striking plate for electromagnetic lock	149,00
38	03709	Cover carter for shear lock	71,00
38	03709N	Cover carter for shear lock	83,00
38	03710	Cover carter for shear lock	71,00
38	03710N	Cover carter for shear lock	83,00
185	OP04500 56	Indicator lamp	116,00
185	OP04500 58	Indicator lamp	150,00
185	OP04501 56	Indicator lamp	99,00
185	OP04501 58	Indicator lamp	130,00
174	04925	Motor for Maxima lock- spare part	170,00
196	05110G	Manual call point	24,00
65/196	05110R	Manual call point	24,00
196	05110V	Manual call point	24,00
56/64	05115	Unlocking/reset manual push button	19,00
64	05203A	Heat and smoke detector	70,00
64	05204A	Heat and smoke detector	52,00
64	05206A	Test spray for smoke detector	54,00
64	05207	Fire alarm sounder	74,00
196	05210	Transformer	46,00
196	05211	Transformer	32,00
192	05257	Intercom interface for locks management	86,00
192	05258	Relay module	39,00
192	05259	Relay module	21,00
192	05260	Relay module	75,00
192	05261	Voice circuit	130,00
196	05301C	Timer	240,00
197	05310	Switching power supply	120,00
197	05312A	Switching power supply	246,00
197	05320A	Switching power supply	135,00
197	05325A	Switching power supply	260,00
197	05326A	Switching power supply	270,00
197	05330BD	Switching power supply	135,00
197	05330XSA	Switching power supply	140,00
197	05331A	Switching power supply	149,00
197	05332A	Switching power supply	161,00
175	05426	Cable for Maxima lock	7,00
191	05501	Rim mounting box	34,30
191	05502	Rim mounting box	35,30
191	05502PD	Rim mounting box	38,00
191	05503	Rim mounting box	39,50
191	05504	Rim mounting box	41,60
186	05512	Electronic control unit	172,00
186	05513	Intercom receiver	74,00
186	05514	Intercom receiver	275,00
186	05515	Intercom porter	100,00
190	05540	Rim mounting box	15,00
190	05540N	Rim mounting box	15,00
237	05647	Push button	73,00
237	05648	Loud speaker	53,00
237	05650	Cover carter	160,00
238	05651	Cover carter	140,00
244	05820	Cover	160,00
244	05821	Cover	85,00
252	05912WEB	Software	400,00
215	05913	Serial converter	490,00
251	05914	Wi-fi data router	300,00
251	05916	SD memory card	20,00
251	05917	Battery	16,00
254	08010 06	Euro profile cylinder	77,00
254	08010 07	Euro profile cylinder	81,00
254	08010 08	Euro profile cylinder	81,00
254	08010 09	Euro profile cylinder	86,00
254	08010 10	Euro profile cylinder	87,00
254	08010 11	Euro profile cylinder	88,00
254	08010 12	Euro profile cylinder	90,00
254	08010 13	Euro profile cylinder	98,00



Index

PAG.	ART.	DESCRIPTION	€
254	08010 14	Euro profile cylinder	99,00
254	08010 15	Euro profile cylinder	99,00
254	08010 19	Euro profile cylinder	106,00
254	08010 20	Euro profile cylinder	106,00
254	08010 21	Euro profile cylinder	106,00
254	08010 22	Euro profile cylinder	106,00
254	08030 01	Euro profile cylinder	59,00
254	08030 04	Euro profile cylinder	59,00
254	08030 05	Euro profile cylinder	60,00
254	08030 06	Euro profile cylinder	60,00
254	08030 08	Euro profile cylinder	61,00
254	08030 11	Euro profile cylinder	61,00
254	08030 13	Euro profile cylinder	62,00
254	08030 20	Euro profile cylinder	65,00
254	08040 00	Key selector	173,00
195	08600	Lead cover	32,00
195	08601	Lead cover	50,00
195	08605	Lead cover	25,00
195	08608	Lead cover	47,00
195	08610	Lead cover	28,00
195	08619	Lead cover	32,00
195	08620	Lead cover	32,00
195	08630	Lead cover	24,00
195	08640	Lead cover	33,00
195	08641	Lead cover	37,00
195	08650	Tappet contact	8,00
193	08700	Anti rebound ball-catch	34,00
99	08710	Latch lock	19,00
99	08711A	Latch lock	31,00
28	12500	Electromagnetic lock Safety series	187,00
28	12700	Electromagnetic lock Safety series	187,00
28	12800	Electromagnetic lock Safety series	187,00
28	12800M	Electromagnetic lock Safety series	212,00
28	12800MN	Electromagnetic lock Safety series	233,00
28	12800N	Electromagnetic lock Safety series	208,00
29	13000	Electromagnetic lock Safety series	256,00
29	13000N	Electromagnetic lock Safety series	276,00
29	13100	Electromagnetic lock Safety series	287,00
29	13100N	Electromagnetic lock Safety series	308,00
29	13100TD	Electromagnetic lock Safety series	318,00
29	13100TDN	Electromagnetic lock Safety series	339,00
30	13400	Electromagnetic lock Safety series	244,00
30	13400M	Electromagnetic lock Safety series	262,00
30	13500	Electromagnetic lock Safety series	187,00
30	13500M	Electromagnetic lock Safety series	208,00
30	13600	Electromagnetic lock Safety series	200,00
30	13600N	Electromagnetic lock Safety series	221,00
31	13700	Electromagnetic lock Safety series	218,00
35	13700KIT TF	Electromagnetic lock Safety series	449,00
35	13700KIT TFB	Electromagnetic lock Safety series	608,60
31	13700N	Electromagnetic lock Safety series	239,00
31	13700TD	Electromagnetic lock Safety series	245,00
31	13700TDL	Electromagnetic lock Safety series	260,00
31	13700TDLN	Electromagnetic lock Safety series	284,00
31	13700TDN	Electromagnetic lock Safety series	266,00
32	13800	Electromagnetic lock Safety series	499,00
32	13900	Electromagnetic lock Safety series	258,00
32	13900M	Electromagnetic lock Safety series	296,00
32	14000	Electromagnetic lock Safety series	575,00
32	14000N	Electromagnetic lock Safety series	608,00
33	14212R	Electromagnetic lock Safety series	276,00
33	14224R	Electromagnetic lock Safety series	276,00
33	14700TD	Electromagnetic lock Safety series	360,00
33	14700TDBR	Electromagnetic lock Safety series	380,00
33	14700TDN	Electromagnetic lock Safety series	380,00
33	14710TD	Electromagnetic lock Safety series	380,00
33	14710TDBR	Electromagnetic lock Safety series	400,00
33	14710TDN	Electromagnetic lock Safety series	400,00
34	14800TD	Electromagnetic lock Safety series	760,00
52	17003A	Electromagnetic door holder	172,00
53	18003	Electromagnetic door holder	31,20



PAG.	ART.	DESCRIPTION	€
55	18004	Electromagnetic door holder	62,40
53	18005	Electromagnetic door holder	111,30
53	18005B	Electromagnetic door holder	111,30
55	18100	Electromagnetic door holder	64,50
55	18101	Electromagnetic door holder	66,60
55	18104	Electromagnetic door holder	80,00
53	19000	Electromagnetic door holder	30,00
53	19000GC	Electromagnetic door holder	30,00
53	19000GCR	Electromagnetic door holder	38,30
53	19000R	Electromagnetic door holder	38,30
53	19001	Electromagnetic door holder	31,80
53	19001GC	Electromagnetic door holder	31,80
53	19001GCR	Electromagnetic door holder	40,10
53	19001R	Electromagnetic door holder	40,10
54	19002	Electromagnetic door holder	33,30
54	19002GD	Electromagnetic door holder	37,50
54	19002GDR	Electromagnetic door holder	45,80
54	19002N	Electromagnetic door holder	33,30
54	19002NR	Electromagnetic door holder	41,60
54	19002R	Electromagnetic door holder	41,60
106	20610.12	Horizontal solenoid bolt	223,00
109	20610XS.12	Horizontal solenoid bolt	213,00
106	20610.24	Horizontal solenoid bolt	223,00
109	20610XS24	Horizontal solenoid bolt	213,00
106	20611.12	Horizontal solenoid bolt	206,00
109	20611XS.12	Horizontal solenoid bolt	195,00
106	20611.24	Horizontal solenoid bolt	206,00
109	20611.XS24	Horizontal solenoid bolt	195,00
106	20612	Horizontal solenoid bolt	300,00
106	20613.12	Horizontal solenoid bolt	145,00
109	20613XS.12	Horizontal solenoid bolt	135,00
106	20613.24	Horizontal solenoid bolt	145,00
109	20613XSAM.12	Horizontal solenoid bolt	143,00
109	20613XS.24	Horizontal solenoid bolt	135,00
109	20613XSAM.24	Horizontal solenoid bolt	143,00
107	20810.12	Horizontal solenoid bolt	223,00
107	20810.24	Horizontal solenoid bolt	223,00
109	20810XS.12	Horizontal solenoid bolt	213,00
109	20810XS.24	Horizontal solenoid bolt	213,00
107	20811.12	Horizontal solenoid bolt	206,00
109	20811XS.12	Horizontal solenoid bolt	195,00
107	20811.24	Horizontal solenoid bolt	206,00
109	20811XS.24	Horizontal solenoid bolt	195,00
107	20812	Horizontal solenoid bolt	300,00
107	20813.12	Horizontal solenoid bolt	145,00
107	20813.24	Horizontal solenoid bolt	145,00
109	20813XS.12	Horizontal solenoid bolt	135,00
109	20813XSAM.12	Horizontal solenoid bolt	143,00
109	20813XS.24	Horizontal solenoid bolt	135,00
109	20813XSAM.24	Horizontal solenoid bolt	143,00
108	20910.12	Horizontal solenoid bolt	240,00
108	20910.24	Horizontal solenoid bolt	240,00
108	20910A.12	Horizontal solenoid bolt	240,00
108	20910A.24	Horizontal solenoid bolt	240,00
110	20910XS.12	Horizontal solenoid bolt	229,00
110	20910XS.24	Horizontal solenoid bolt	229,00
110	20910XSA.12	Horizontal solenoid bolt	229,00
110	20910XSA.24	Horizontal solenoid bolt	229,00
108	20911.12	Horizontal solenoid bolt	223,00
108	20911.24	Horizontal solenoid bolt	223,00
108	20911A.12	Horizontal solenoid bolt	223,00
108	20911A.24	Horizontal solenoid bolt	223,00
110	20911XS.12	Horizontal solenoid bolt	212,00
110	20911XS.24	Horizontal solenoid bolt	212,00
110	20911XSA.12	Horizontal solenoid bolt	212,00
110	20911XSA.24	Horizontal solenoid bolt	212,00
108	20913.12	Horizontal solenoid bolt	163,00
108	20913.24	Horizontal solenoid bolt	163,00
108	20913A.12	Horizontal solenoid bolt	163,00
108	20913A.24	Horizontal solenoid bolt	163,00
110	20913XS.12	Horizontal solenoid bolt	152,00



Index

PAG.	ART.	DESCRIPTION	€
110	20913XS.24	Horizontal solenoid bolt	152,00
110	20913XSA.12	Horizontal solenoid bolt	152,00
110	20913XSA.24	Horizontal solenoid bolt	152,00
110	20913XSAAM.12	Horizontal solenoid bolt	160,00
110	20913XSAAM.24	Horizontal solenoid bolt	160,00
110	20913XSAM.12	Horizontal solenoid bolt	160,00
110	20913XSAM.24	Horizontal solenoid bolt	160,00
111	21610	Horizontal solenoid bolt	223,00
111	21611	Horizontal solenoid bolt	206,00
111	21612	Horizontal solenoid bolt	300,00
111	21613	Horizontal solenoid bolt	145,00
111	21613AM	Horizontal solenoid bolt	153,00
114	21614	Horizontal solenoid bolt	273,00
114	21614S	Horizontal solenoid bolt	311,00
114	21615	Horizontal solenoid bolt	256,00
114	21615S	Horizontal solenoid bolt	294,00
114	21616	Horizontal solenoid bolt	350,00
114	21616S	Horizontal solenoid bolt	388,00
112	21810	Horizontal solenoid bolt	223,00
112	21811	Horizontal solenoid bolt	206,00
112	21812	Horizontal solenoid bolt	300,00
112	21813	Horizontal solenoid bolt	145,00
112	21813AM	Horizontal solenoid bolt	153,00
115	21814	Horizontal solenoid bolt	273,00
115	21814S	Horizontal solenoid bolt	311,00
115	21815	Horizontal solenoid bolt	256,00
115	21815S	Horizontal solenoid bolt	294,00
115	21816	Horizontal solenoid bolt	350,00
115	21816S	Horizontal solenoid bolt	388,00
113	21910	Horizontal solenoid bolt	240,00
113	21911	Horizontal solenoid bolt	223,00
113	21913	Horizontal solenoid bolt	163,00
113	21913AM	Horizontal solenoid bolt	171,00
115	21914	Horizontal solenoid bolt	290,00
115	21914S	Horizontal solenoid bolt	328,00
115	21915	Horizontal solenoid bolt	273,00
115	21915S	Horizontal solenoid bolt	311,00
122	22800M	Motor rim lock for cabinets	110,00
123	22912	Electric lock Arca Key series	250,00
123	22912CS	Electric lock Arca Key series	270,00
123	22924	Electric lock Arca Key series	250,00
123	22924CS	Electric lock Arca Key series	270,00
128	23000	Double action lock for swing door	236,00
125	23622S	Electric lock for sliding doors	300,00
125	23624S	Electric lock for sliding doors	300,00
124	23800	Electric lock for sliding doors	200,00
124	23800FG	Electric lock for sliding doors	220,00
124	23822	Electric lock for sliding doors	280,00
124	23822FG	Electric lock for sliding doors	300,00
124	23824	Electric lock for sliding doors	280,00
124	23824FG	Electric lock for sliding doors	300,00
125	23822S	Electric lock for sliding doors	280,00
125	23824S	Electric lock for sliding doors	280,00
136	24600	Solenoid bolt Prima Series	497,00
136	24608	Solenoid bolt Prima Series	560,00
136	24609	Solenoid bolt Prima Series	560,00
144	24620	Solenoid bolt Prima Series	615,00
144	24628	Solenoid bolt Prima Series	675,00
136	24800	Solenoid bolt Prima Series	497,00
136	24808	Solenoid bolt Prima Series	560,00
136	24809	Solenoid bolt Prima Series	560,00
144	24820	Solenoid bolt Prima Series	615,00
144	24828	Solenoid bolt Prima Series	675,00
174	25500	Solenoid bolt Prima Series	645,00
174	25511	Solenoid bolt Prima Series	673,00
138	25600	Solenoid bolt Prima Series	388,00
138	25608	Solenoid bolt Prima Series	458,00
138	25609	Solenoid bolt Prima Series	458,00
145	25620	Solenoid bolt Prima Series	520,00
145	25628	Solenoid bolt Prima Series	580,00
138	25800	Solenoid bolt Prima Series	388,00



PAG.	ART.	DESCRIPTION	€
138	25808	Solenoid bolt Prima Series	458,00
138	25809	Solenoid bolt Prima Series	458,00
145	25820	Solenoid bolt Prima Series	520,00
145	25828	Solenoid bolt Prima Series	580,00
139	25900	Solenoid bolt Prima Series	388,00
139	25908	Solenoid bolt Prima Series	458,00
139	25909	Solenoid bolt Prima Series	458,00
140	25910	Solenoid bolt Prima Series	410,00
140	25918	Solenoid bolt Prima Series	480,00
140	25919	Solenoid bolt Prima Series	480,00
152	26800	Solenoid bolt Classica Series	497,00
152	26808	Solenoid bolt Classica Series	560,00
152	26809	Solenoid bolt Classica Series	560,00
153	27800	Solenoid bolt Classica Series	388,00
153	27808	Solenoid bolt Classica Series	458,00
153	27809	Solenoid bolt Classica Series	458,00
154	27900	Solenoid bolt Classica Series	388,00
154	27908	Solenoid bolt Classica Series	458,00
154	27909	Solenoid bolt Classica Series	458,00
160	28001	Rim electric lock for gates and doors	365,00
160	28002	Rim electric lock for gates and doors	385,00
160	28003	Rim electric lock for gates and doors	375,00
162	28201	Rim electric lock for gates and doors	415,00
162	28203.1	Rim electric lock for gates and doors	425,00
164	28700	Electric dead bolt for garage doors	402,00
164	28710	Electric dead bolt for garage doors	418,00
166	28720	Motorised deadbolt - Legion series	490,00
166	28720N	Motorised deadbolt - Legion series	490,00
168	28800	Electric dead bolt for gates - Gate bolt series	418,00
168	28800LC	Electric dead bolt for gates - Gate bolt series	272,00
82	31012	Mortice electric strikes	29,00
82	31012DC	Mortice electric strikes	34,00
84	31012DCF	Mortice electric strikes	77,00
84	31012TD	Mortice electric strikes	75,00
84	31012DCPN	Mortice electric strikes	72,00
83	31012UNI	Mortice electric strikes	35,00
82	31024DC	Mortice electric strikes	34,00
82	31112	Mortice electric strikes	32,00
82	31112DC	Mortice electric strikes	37,00
83	31112UNI	Mortice electric strikes	37,00
82	31124DC	Mortice electric strikes	37,00
82	31212	Mortice electric strikes	33,00
82	31212DC	Mortice electric strikes	38,00
82	31212L	Mortice electric strikes	33,00
82	31212LDC	Mortice electric strikes	38,00
83	31212UNI	Mortice electric strikes	38,00
82	31224DC	Mortice electric strikes	38,00
82	31224LDC	Mortice electric strikes	38,00
82	31312	Mortice electric strikes	35,00
82	31312DC	Mortice electric strikes	40,00
82	31312L	Mortice electric strikes	35,00
82	31312LDC	Mortice electric strikes	40,00
83	31312UNI	Mortice electric strikes	40,00
82	31324DC	Mortice electric strikes	40,00
82	31324LDC	Mortice electric strikes	40,00
82	31412A	Mortice electric strikes	37,00
84	31412F	Mortice electric strikes	42,00
82	31512A	Mortice electric strikes	43,60
84	31812	Mortice electric strikes	79,00
84	31824	Mortice electric strikes	79,00
85	32012	Mortice electric strikes	33,00
86	32012PL	Mortice electric strikes	58,00
86	32012PLM	Mortice electric strikes	98,00
85	32112	Mortice electric strikes	35,00
86	32112PL	Mortice electric strikes	60,00
86	32112PLM	Mortice electric strikes	100,00
85	32212	Mortice electric strikes	35,00
86	32212PL	Mortice electric strikes	75,00
86	32312PL	Mortice electric strikes	77,00
85	32312	Mortice electric strikes	37,00
85	32812	Mortice electric strikes	79,00



Index

PAG.	ART.	DESCRIPTION	€
85	32824	Mortice electric strikes	79,00
87	33012	Mortice electric strikes	29,00
87	33112	Mortice electric strikes	32,00
87	33212	Mortice electric strikes	32,00
87	33312	Mortice electric strikes	34,00
87	33412	Mortice electric strikes	35,00
87	33512	Mortice electric strikes	37,00
88	34602	Mortice electric strikes	135,00
88	34604	Mortice electric strikes	135,00
88	34622	Mortice electric strikes	135,00
88	34624	Mortice electric strikes	135,00
88	34802	Mortice electric strikes	160,00
88	34804	Mortice electric strikes	160,00
88	34822	Mortice electric strikes	160,00
88	34824	Mortice electric strikes	160,00
85	35412	Mortice electric strikes	36,00
85	35512	Mortice electric strikes	38,00
89	36012B	Electric strikes for panic bar	132,00
89	36012BM	Electric strikes for panic bar	179,00
89	36412B	Electric strikes for panic bar	140,00
89	36612B	Electric strikes for panic bar	142,00
89	36612BM	Electric strikes for panic bar	187,00
89	36624B	Electric strikes for panic bar	146,00
89	36624BM	Electric strikes for panic bar	191,00
89	36812B	Electric strikes for panic bar	170,00
89	36812BM	Electric strikes for panic bar	215,00
89	36824B	Electric strikes for panic bar	174,00
89	36824BM	Electric strikes for panic bar	220,00
90	37012	Mortice electric strikes for armoured doors	66,00
90	37212	Mortice electric strikes for armoured doors	52,00
90	37312	Mortice electric strikes for armoured doors	55,00
90	37412	Mortice electric strikes for armoured doors	52,00
90	37512	Mortice electric strikes for armoured doors	55,00
90	37612	Mortice electric strikes for armoured doors	98,00
90	37624	Mortice electric strikes for armoured doors	98,00
90	37812	Mortice electric strikes for armoured doors	98,00
90	37824	Mortice electric strikes for armoured doors	98,00
91	38012	Mortice electric strikes for armoured doors	82,00
91	38412	Mortice electric strikes for armoured doors	88,00
91	38612	Mortice electric strikes for armoured doors	116,00
91	38624	Mortice electric strikes for armoured doors	116,00
91	38812	Mortice electric strikes for armoured doors	139,00
91	38824	Mortice electric strikes for armoured doors	139,00
92	39012A	Electric strike for glazed door	184,00
92	39812A	Electric strike for glazed door	206,00
70	40600	Electric handle - Smart trim series	350,00
70	40600B	Electric handle - Smart trim series	364,00
70	40600GM	Electric handle - Smart trim series	364,00
70	40601	Electric handle - Smart trim series	410,00
70	40601B	Electric handle - Smart trim series	424,00
70	40601GM	Electric handle - Smart trim series	424,00
72	40610	Electric handle - Smart trim series	375,00
72	40610B	Electric handle - Smart trim series	364,00
72	40610N	Electric handle - Smart trim series	364,00
72	40611	Electric handle - Smart trim series	436,00
72	40611B	Electric handle - Smart trim series	426,00
72	40611N	Electric handle - Smart trim series	426,00
74	40620	Electric handle - Smart trim series	436,00
74	40620B	Electric handle - Smart trim series	426,00
74	40620N	Electric handle - Smart trim series	426,00
74	40621	Electric handle - Smart trim series	490,00
74	40621B	Electric handle - Smart trim series	480,00
74	40621N	Electric handle - Smart trim series	480,00
70	40800	Electric handle - Smart trim series	350,00
70	40800B	Electric handle - Smart trim series	364,00
70	40800GM	Electric handle - Smart trim series	364,00
70	40801	Electric handle - Smart trim series	410,00
70	40801B	Electric handle - Smart trim series	424,00
70	40801GM	Electric handle - Smart trim series	424,00
72	40810	Electric handle - Smart trim series	375,00
72	40810B	Electric handle - Smart trim series	364,00



PAG.	ART.	DESCRIPTION	€
72	40810N	Electric handle - Smart trim series	364,00
72	40811	Electric handle - Smart trim series	436,00
72	40811B	Electric handle - Smart trim series	426,00
72	40811N	Electric handle - Smart trim series	426,00
224	40814	Electric handle - Acces series	270,00
224	40814GD	Electric handle - Acces series	270,00
224	40814MF	Electric handle - Acces series	270,00
224	40814MFGD	Electric handle - Acces series	270,00
74	40820	Electric handle - Smart trim series	436,00
74	40820B	Electric handle - Smart trim series	426,00
74	40820N	Electric handle - Smart trim series	426,00
74	40821	Electric handle - Smart trim series	490,00
74	40821B	Electric handle - Smart trim series	480,00
74	40821N	Electric handle - Smart trim series	480,00
177	44000	Switch push bar	150,00
43	51300	Time delay module	61,00
43	51400	Time delay module	145,00
43	51500	Time delay module	61,00
63	52002	Single zone fire control	250,00
177	53500	Sensitive card	187,00
177	53501	Sensitive card	210,00
175	54250	Electronic unit for 1 door	285,00
175	54255	Electronic unit for 2 doors	677,00
129	54610	Electronic unit for 1 door	203,00
44/130	54611A	Control system control - 1 door	346,00
44/130	54612A	Control system control - 2 doors	374,00
130	54613A	Control system control - 3 doors	721,00
130	54614A	Control system control - 4 doors	748,00
129	54710	Electronic unit for 2 doors	408,00
44	55001	Exit system - electronic	490,00
45	55003	Eemrgency door kit	760,00
47	55005	Alarm system electronic	216,00
183	55010	Red/green indicator lamp	99,00
183	55010 BR	Red/green indicator lamp	99,00
183	55010GD	Red/green indicator lamp	104,00
183	55010N	Red/green indicator lamp	99,00
183	55011	Red/green indicator lamp	120,00
183	55011BR	Red/green indicator lamp	120,00
183	55011GD	Red/green indicator lamp	125,00
183	55011N	Red/green indicator lamp	120,00
183	55012	Red/green indicator lamp	167,00
183	55012BR	Red/green indicator lamp	167,00
183	55012GD	Red/green indicator lamp	172,00
183	55012N	Red/green indicator lamp	167,00
184	55013	External porter	120,00
184	55013BR	External porter	120,00
184	55013GD	External porter	125,00
184	55013N	External porter	120,00
184	55014	Red/green indicator lamp	182,00
184	55014BR	Red/green indicator lamp	182,00
184	55014GD	Red/green indicator lamp	187,00
184	55014N	Red/green indicator lamp	182,00
188	55017	Door release push button	73,00
188	55018	Door release push button	73,00
189	55020	Antivandal door release push button	65,00
189	55020EX	Antivandal door release push button	65,00
189	55020NT	Antivandal door release push button	65,00
189	55021	Door release push button	65,00
189	55022	Door release push button	73,00
189	55023	Door release push button	73,00
142	OP55036	Solenoid bolt - Prima OP series	416,00
142	OP55038	Solenoid bolt - Prima OP series	416,00
143	OP55039	Solenoid bolt - Prima OP series	416,00
143	OP5503910	Solenoid bolt - Prima OP series	439,00
182	55030	Indicator lamp	99,00
182	55030BR	Indicator lamp	99,00
182	55030N	Indicator lamp	99,00
182	55031	Indicator lamp	120,00
182	55031BR	Indicator lamp	120,00
182	55031N	Indicator lamp	120,00
182	55033	Intercom porter	120,00



Index

PAG.	ART.	DESCRIPTION	€
182	55033BR	Intercom porter	120,00
182	55033N	Intercom porter	120,00
190	55040	Key Switch	30,00
190	55040N	Key Switch	30,00
190	55041	Key Switch	70,00
198	55414	Four channel receiver	86,00
198	55416	Two channel receiver	78,00
198	55417	Mini receiver	68,00
198	55418	Mini receiver	68,00
199	55420	Remote controller	40,00
199	55420RC	Remote controller	46,00
199	55421	Remote controller	44,00
199	55421RC	Remote controller	50,00
204	55510RF	Linea hotel	350,00
204	55510RFA	Linea hotel	350,00
204	55510RFZC	Linea hotel	350,00
205	55510ZC	Linea hotel	194,00
205	55512	Linea hotel	130,00
205	55514	Linea hotel	241,00
204	55514RF	Linea hotel	110,00
206	55516	Linea hotel	10,00
206	55516SLA	Linea hotel	12,00
206	55516SLB	Linea hotel	13,50
206	55519	Linea hotel	350,00
207	55520	Linea hotel	700,00
209	55520A	Linea hotel	550,00
208	55530	Linea hotel	390,00
208	55531	Relay module	150,00
209	55534	Data center management for lockers	800,00
214	55611NET	Multilink Net electronic unit	390,00
219	55612	Keypad	157,00
219	55612CR	Keypad	157,00
219	55612PD	Keypad	260,00
219	55612PDC	Keypad	230,00
219	55612PDN	Keypad	270,00
219	55612PDCN	Keypad	240,00
219	55612SS	Keypad	240,00
219	55612SSC	Keypad	300,00
220	55613	Additional card reader	180,00
220	55613AL	Additional card reader	205,00
215	55613NET	Card reader	280,00
220	55614	Trasponder reader	131,00
215	55614NET	Trasponder reader	310,00
220	55614SC	Trasponder reader	131,00
221	55614PD	Trasponder reader	120,00
221	55614PDN	Trasponder reader	120,00
223	55615	Magnetic card	4,40
223	55615SLA	Magnetic card	6,20
223	55615SLB	Magnetic card	7,70
215	55616NET	USB / RS485 converter	190,00
215	55618NET	TTL / RS485 converter	45,00
221	55618PD	Dallas reader - iButton	125,00
221	55618PDN	Dallas reader - iButton	125,00
216	55622NET	Multilink Net software	300,00
236	55640	Card reader	3500,00
238	55641	Card reader	470,00
238	55641AL	Card reader	670,00
238	55642	Card reader	650,00
238	55642AL	Card reader	850,00
238	55643	Card reader	690,00
238	55644	Card reader	850,00
218	56611A	Minilink electronic of access control	150,00
223	56616	Trasponder	4,40
223	56616SLA	Trasponder	6,20
223	56616SLB	Trasponder	7,70
223	56616T	Trasponder	6,80
223	56616W	Trasponder	18,40
239	57300	Stand alone Keypad	250,00
240	57312	Stand alone Keypad	270,00
240	57312N	Stand alone Keypad	280,00
240	57313	Stand alone Keypad	240,00



PAG.	ART.	DESCRIPTION	€
240	57313N	Stand alone Keypad	250,00
241	57320	Wireless keypad	210,00
226	57401	Bluetooth door opener	300,00
228	57501	GSM Terminal	300,00
228	57501RF	GSM Terminal - radio transmission	350,00
229	57512RF	Radio keypad	180,00
229	57512SRF	Radio keypad	310,00
229	57515RF	Radio repeater	150,00
229	57516RF	Relay Module	150,00
232	57600	Videocamera HIT	400,00
234	57700	Digital door viewer	90,00
234	57700GD	Digital door viewer	90,00
234	57701	Digital door viewer	110,00
234	57701GD	Digital door viewer	110,00
242	58000	Touch Key Reader	160,00
242	58000N	Touch Key Reader	160,00
242	58013	Toukch Key	56,00
242	58013N	Toukch Key	56,00
223	58015	Touch Key Dallas	11,00
223	58015G	Touch Key Dallas	12,00
223	58015R	Touch Key Dallas	12,00
223	58015V	Touch Key Dallas	12,00
222	58018ML	Dallas reader - iButton	115,00
222	58018MLN	Dallas reader - iButton	115,00
244	58200SA	Biometric	570,00
244	58200SB	Biometric	780,00
250	59001	People Counter	320,00
250	59001RF	People Counter	390,00
250	59002	People Counter	480,00
250	59002RF	People Counter	550,00
253	59013	Mini Counter People	250,00
60	60000	Hydraulic damper	288,00
60	60001	Hydraulic damper	306,00
61	65000	Hydraulic shock absorber	104,00
61	65000SV	Hydraulic shock absorber	94,00
61	65001	Hydraulic shock absorber	156,00
61	65001SV	Hydraulic shock absorber	146,00
58	Art + AC	Variant	8,30
58	Art + ALV	Variant	14,40
110	Art + AM	Variant	8,00
64	Art + BRA	Variant	54,00
124	Art + CF	Variant	-30,00
136	Art + CS	Variant	40,00
71	Art + DM	Variant	65,00
160	Art + DR	Variant	20,00
53	Art + DV	Variant	8,00
58	Art + HV	Variant	5,70
58	Art + F	Variant	3,20
254	Art + KA	Variant	23,00
58	Art + LF	Variant	4,00
58	Art + LV	Variant	5,70
58	Art + M	Variant	28,00
70	Art + MEC	Variant	62,00
136	Art. + PK	Variant	60,00
53	Art + R	Variant	8,30
136	Art + SA	Variant	38,00
160	Art + SC	Variant	-5,00
168	Art + W	Variant	42,00
136	Art + XL	Variant	30,00
139	CC090	Connector for solenoid bolt	12,00
139	CC091	Connector for solenoid bolt	16,00
130	REL12V	12V relay	34,00
130	REL24V	24V relay	34,00





ISAFETY

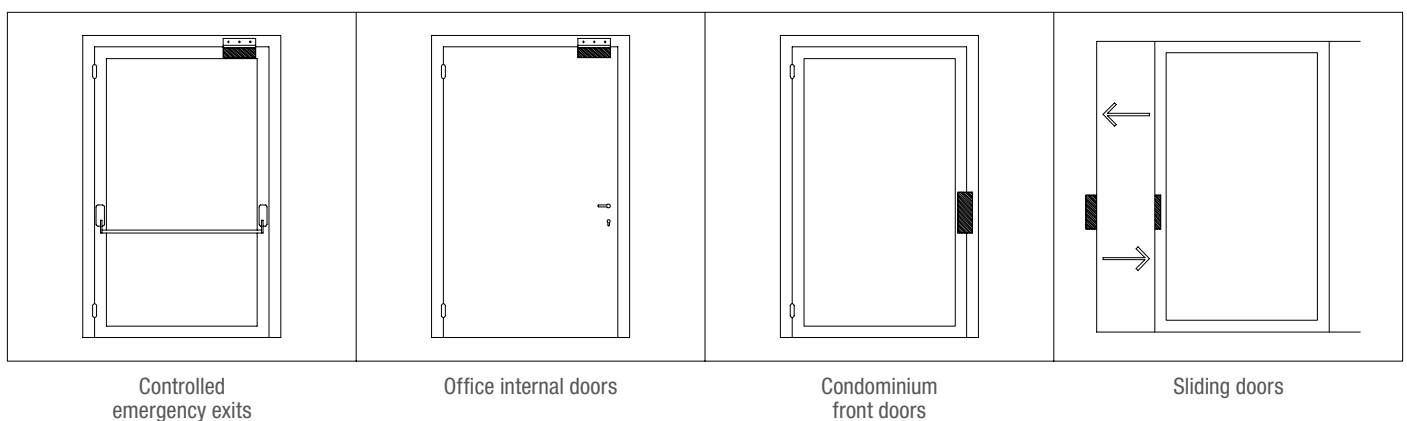
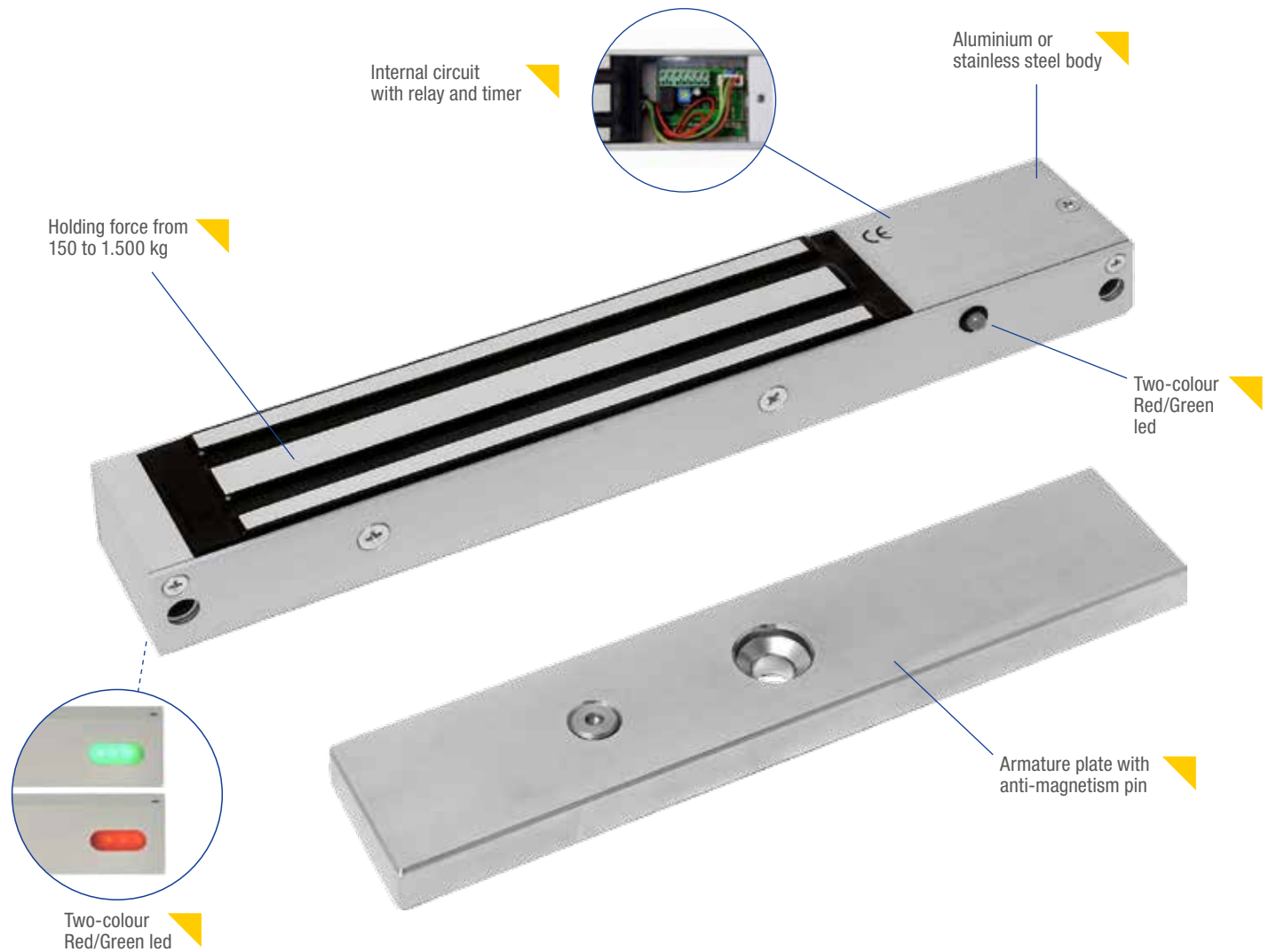
- ▶ SECURITY ELECTROMAGNETS
- ▶ IDEAL FOR EMERGENCY EXITS AND CONDOMINIUM ENTRY DOORS
- ▶ SILENT AND RESISTANT
- ▶ HOLDING FORCE FROM 150 TO 1500 KG
- ▶ CAN BE APPLIED ON PRE-EXISTING DOORS





SAFETY

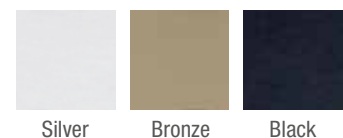
www.opera-italy.com



PLUS

- ▶ Solenoid lock with electromagnetic holding
- ▶ Fail safe
- ▶ Easy to fix or introduce on pre-existing doors
- ▶ No maintenance or regulations needed in the course of time
- ▶ No mechanical wear out

AVAILABLE COLOURS



CONDOMINIUM FRONT DOOR EXAMPLE

INTERNAL OPENING



EXTERNAL OPENING



CONDOMINIUM FRONT DOOR EXAMPLE

- ▶ Always closed door guarantee
- ▶ Silent functioning
- ▶ No maintenance on the electromagnet or regulation of the door closer
- ▶ Fail safe
- ▶ External opening by key switch, remote control or access control





12500

MICRO ELECTROMAGNETIC LOCKVersion: **for mortice fixing**

body in stainless steel protected against humidity

Dimensions of the body (mm): 170 x 32 x 24

Total dimensions with side wings (mm): 200 x 32 x 24

Armature plate with residual anti-magnetism pin:

(mm) 152 x 32 x 8

Operating voltage: 12 Vdc

Current: 350 mA

Holding force: up to 150 Kg.

Use: locking system for sliding doors, safe deposit boxes and cabinets**Packaging:** electromagnet, armature plate and accessories for assembly

12700

MICRO ELECTROMAGNETIC LOCKVersion: **for surface fixing**

body in stainless steel protected against humidity

Dimensions (mm): 170 x 32 x 24

Armature plate with residual anti-magnetism pin:

(mm) 152 x 32 x 8

Operating voltage: 12 Vdc

Current: 350 mA

Holding force: up to 150 Kg.

Use: anti-panic locking system for swing doors**Packaging:** electromagnet, flat fixing plate, armature plate and accessories for assembly

12800

12800N

MICRO ELECTROMAGNETIC LOCKVersion: **for surface fixing**

Dimensions (mm): 200 x 36 x 24

Armature plate with residual anti-magnetism pin:

(mm) 152 x 32 x 8

Operating voltage: 12/24 Vdc

Current: 350 mA in 12V / 250 mA in 24V

Holding force: up to 150 Kg.

Use: anti-panic locking system for swing doorsBody in silver anodized aluminiumBody in black anodized aluminium**Packaging:** electromagnet, flat fixing plate, armature plate and accessories for assembly

12800M

12800MN

MICRO ELECTROMAGNETIC LOCKVersion: **for surface fixing**

Body in silver anodized aluminium

Dimensions (mm): 200 x 36 x 24

Armature plate with residual anti-magnetism pin:

(mm) 152 x 32 x 8

Operating voltage: 12/24 Vdc

Current: 350 mA

Internal state sensor with C./N.O./N.C. contact

Holding force: up to 150 Kg.

Use: anti-panic closing system for swing doorsBody in silver anodized aluminiumBody in black anodized aluminium**Packaging:** electromagnet, flat fixing plate, Armature plate and accessories for assembly

Art.	Description
------	-------------



13000
13000N

ELECTROMAGNETIC LOCK MAXI SERIES

Version: **for surface fixing**

Dimensions (mm): 265 x 66 x 41

Counterplate with residual anti-magnetism pin:
(mm) 185 x 60 x 16

Operating voltage: 12/24 Vdc

Current: 500 mA @ 12 V / 250 mA @ 24 V

Holding force: up to 600 Kg.

Use: Security closing system for swing doors

Body in silver anodized aluminium

Body in black anodized aluminium

Packaging: electromagnet, flat fixing plate, counterplate and accessories for assembly



13100
13100N

ELECTROMAGNETIC LOCK MAXI SERIES WITH SENSOR

Version: **for surface fixing**

Dimensions (mm): 265 x 66 x 41

Counterplate with residual anti-magnetism pin:
(mm) 185 x 60 x 16

Operating voltage: 12/24 Vdc

Current: 500 mA @ 12 V / 250 mA @ 24 V

State sensor with Hall effect / two coloured LED Red - Green / Relay C. - N.O. - N.C.

Holding force: up to 600 Kg.

Use: Security closing system for swing doors

Body in silver anodized aluminium

Body in black anodized aluminium

Packaging: electromagnet, flat fixing plate, counterplate and accessories for assembly



13100TD
13100TDN

ELECTROMAGNET MAXI WITH ADJUSTABLE TRIMMER FOR RECLOSING TIME

Version: **for surface fixing**

Dimensions (mm): 265 x 66 x 41

Counterplate with residual anti-magnetism pin:
(mm) 185 x 60 x 16

Operating voltage: 12/24 Vdc

Current: 500 mA @ 12 V / 250 mA @ 24 V

State sensor with Hall effect / two coloured LED Red - Green / Relay C. - N.O. - N.C.

Holding force: up to 600 Kg.

Internal trimmer for reclosing time adjustable from 1 to 90 seconds

Use: Security closing system for swing doors

Body in silver anodized aluminium

Body in black anodized aluminium

Packaging: electromagnet, flat fixing plate, counterplate and accessories for assembly





13400
13400M

Art.

Description

MIDI ELECTROMAGNETIC LOCK

Version: **for surface fixing**

Body in stainless steel with rounded sides, protected against humidity

Dimensions (mm): 230 x 45 x 30

Armature plate with anti-magnetism pin (mm): 185 x 45 x 14

Operating voltage: 12 Vdc

Current: 350 mA @ 12 V

Holding force: up to 350 Kg.

Use: Security locking system for swing doors

Without sensor

With state sensor

Packaging: electromagnet, flat fixing plate, Armature plate and accessories for assembly

13500

ELECTROMAGNETIC LOCK MINI SERIES

Version: **for mortice fixing**

Fixing bracket in silver anodized aluminium

Dimensions (mm): 227 x 38 x 27

Armature plate with residual anti-magnetism pin:
(mm) 185 x 37 x 12

Operating voltage: 12/24 Vdc

Current: 500 mA @ 12 V / 250 mA @ 24 V

Holding force: up to 300 Kg.

Use: Security locking system for sliding doors

Packaging: electromagnet, Armature plate and accessories for assembly



13500M

ELECTROMAGNETIC LOCK MINI SERIES WITH SENSOR

Version: **for mortice fixing**

Fixing bracket in silver anodized aluminium

Dimensions (mm): 227 x 38 x 27

Armature plate with residual anti-magnetism pin:
(mm) 185 x 37 x 12

Operating voltage: 12/24 Vdc

Current: 500 mA @ 12 V / 250 mA @ 24 V

State sensor with Hall effect / two coloured LED Red - Green / Relay C. - N.O. - N.C.

Holding force: up to 300 Kg.

Use: Security locking system for sliding doors

Packaging: electromagnet, Armature plate and accessories for assembly



13600
13600N

ELECTROMAGNETIC LOCK MINI SERIES

Version: **for surface fixing**

Dimensions (mm): 250 x 41 x 24

Armature plate with residual anti-magnetism pin:
(mm) 185 x 37 x 12

Operating voltage: 12/24 Vdc

Current: 500 mA @ 12 V / 250 mA @ 24 V

Holding force: up to 300 Kg.

Use: Security locking system for swing doors

Body in silver anodized aluminium

Body in black anodized aluminium

Packaging: electromagnet, flat fixing plate, Armature plate and accessories for assembly



Art.	Description
------	-------------



13700
13700N

ELECTROMAGNETIC LOCK MINI SERIES WITH SENSOR

Version: **for surface fixing**

Dimensions (mm): 250 x 41 x 24

Armature plate with residual anti-magnetism pin:

(mm) 185 x 37 x 12

Operating voltage: 12/24 Vdc

Current: 500 mA @ 12 V / 250 mA @ 24 V

State sensor with Hall effect / two coloured LED Red - Green / Relay C. -

N.O. - N.C.

Holding force: up to 300 Kg.

Use: Security locking system for swing doors

Body in silver anodized aluminium

Body in black anodized aluminium

Packaging: electromagnet, flat fixing plate, Armature plate and accessories for assembly



13700TD
13700TDN

ELECTROMAGNET MINI WITH ADJUSTABLE TRIMMER FOR RECLOSING TIME

Version: **for surface fixing**

Dimensions (mm): 250 x 41 x 24

Armature plate with residual anti-magnetism pin:

(mm) 185 x 37 x 12

Operating voltage: 12/24 Vdc

Current: 500 mA @ 12 V / 250 mA @ 24 V

State sensor with Hall effect / two coloured LED Red - Green / Relay C. -

N.O. - N.C.

Holding force: up to 300 Kg.

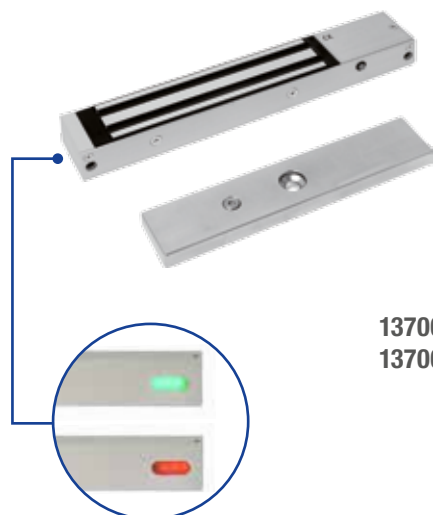
Relock time delay adjustable from 1 to 90 seconds

Use: Security locking system for swing doors

Body in silver anodized aluminium

Body in black anodized aluminium

Packaging: electromagnet, flat fixing plate, Armature plate and accessories for assembly



13700TDL
13700TDLN

ELECTROMAGNET MINI WITH ADJUSTABLE TRIMMER FOR RECLOSING TIME AND MAXI LED

Version: **for surface fixing**

Dimensions (mm): 265 x 49 x 29

Armature plate with residual anti-magnetism pin:

(mm) 185 x 45 x 14

Operating voltage: 12/24 Vdc

Current: 500 mA @ 12 V / 250 mA @ 24 V

State sensor with Hall Effect - Relay C. - N.O. - N.C.

Two coloured Red/Green LED for door status indication located in the back of the magnet body

Holding force: up to 360 Kg.

Relock time delay adjustable from 1 to 80 seconds

Use: Security locking system for swing doors

Body in silver anodized aluminium

Body in black anodized aluminium

Packaging: electromagnet, flat fixing plate, Armature plate and accessories for assembly



Art.	Description
------	-------------

13800

ELECTROMAGNET SHEAR LOCKVersion: **for mortice fixing**

Bracket in black painted aluminium

Dimensions of the bracket (mm): 267 x 35 x 35

Dimensions of body for mortice fixing (mm): 220 x 35 x 35

Armature plate with residual anti-magnetism pin

Operating voltage: 12/24 Vdc

Absorbed current: 1.8 A peak / 500 mA @ 12 V

1 A peak / 350 mA @ 24 V

State sensor with Hall effect / Relay C. - N.O. - N.C.

Door position magnetic sensor

Internal management electronics with relocking adjustable from 0 - 15 sec.

Holding force against forced entry up to 1,500 Kg.

Use: high security anti-panic locking system for swing doors. For correct operation the electromagnet must be mounted horizontally on the frame header with the Armature plate mounted on the frame of the door

Packaging: electromagnet, Armature plate and accessories for assembly

**ELECTROMAGNET MICRO SHEAR LOCK**Version: **for mortice fixing**

Electromagnet support bracket and Armature plate in silver anodized aluminium

Electromagnet support bracket: 180 x 30 x 27 mm.

Armature plate support bracket dimensions: 180 x 30 x 42 mm.

Armature plate with residual anti-magnetism pin:

Operating voltage: 12/24 Vdc

Current: 420 mA @ 12 V / 220 mA @ 24 V

450 mA @ 12 V / 250 mA @ 24 V for version M

State sensor with Hall effect / Relay C. - N.O. - N.C. (only for Art. 13900M)

Holding force: up to 680 Kg.

Use: anti-panic locking system with dragging feature for swing doors with stops. For correct operation the electromagnet must be mounted horizontally in the frame header with the armature plate mounted on top of the door

Without door state sensor

With door state sensor

Packaging: electromagnet, Armature plate and accessories for assembly



13900

13900M

ELECTROMAGNETIC LOCK MAXI DOUBLE SERIES WITH SENSORVersion: **for surface application** on double leaf doors

Dimensions (mm): 534 x 66 x 41

Armature plates with residual anti-magnetism pins: (mm) 185 x 60 x 16

Operating voltage: 12/24 Vdc

Current: 500 mA ea. @ 12 V / 250 mA ea. @ 24 V

State sensor with Hall effect / two coloured LED Red - Green / Relay C. - N.O. - N.C.

Holding force: up to 600 Kg. x 2

Use: anti-panic locking system for double leaf doors

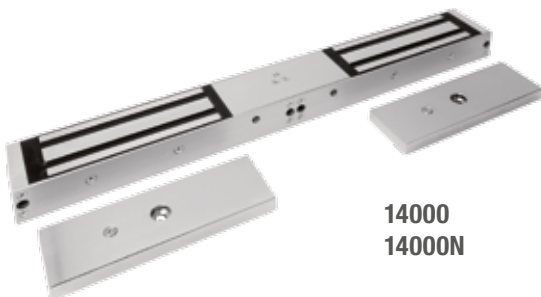
Body in silver anodized aluminium

Body in black anodized aluminium

Packaging: electromagnet, flat fixing plate, 2 Armature plates and accessories for assembly

14000

14000N



Art.	Description
------	-------------



14212R
14224R

ELECTROMAGNETIC GATE LOCK SERIES WITH SENSOR

Version: **for surface fixing**

body in stainless steel protected against humidity

Dimensions (mm): 204 x 64 x 41

Armature plate with residual anti-magnetism pin:

(mm) 185 x 60 x 16

Magnetic reed state sensor C / N.O. / N.C.

Holding force: up to 600 Kg.

Use: Security locking system for hinged and sliding gates

Operating voltage: 12 Vdc - Current: 450 mA

Operating voltage: 24 Vdc - Current: 230 mA

On demand: Conduit connector fitting - see page 39

Packaging: electromagnet, Armature plate and accessories for assembly

NEW



14700TD
14700TDN
14700TDBR

ELECTROMAGNETIC LOCK MINI SERIES WITH HANDLE

Version: **for surface fixing**

Electromagnet body and handle in aluminium

Magnet body dimensions (mm): 324 x 48 x 29

Dimensions of the handle (mm) 333 x 124 x 62

Armature plate with residual anti-magnetism pin inserted in the handle body

Operating voltage: 12/24 Vdc

Current: 500 mA @ 12 V / 250 mA @ 24 V

Internal state sensor with C./N.O./N.C. relay output

Holding force: up to 300 Kg.

Relocking time adjustable from 1 to 90 seconds

Use: anti-panic locking system for swing doors (i.e. condominium front entrance doors)

Without release push button

Body in silver anodized aluminium

Body in black anodized aluminium

Body in bronze anodized aluminium

14710TD
14710TDN
14710TDBR

Release push button housed in the handle body

Body in silver anodized aluminium

Body in black anodized aluminium

Body in bronze anodized aluminium

On demand spacer for handle body and electromagnet lock see 00147 or 00147N at page 39

Packaging: electromagnet, armature plate and accessories for assembly



Door locked



Door unlocked



Door opened



Art.

Description

**ELECTROMAGNETIC LOCK MINI SERIES
WITH LONG HANDLE**Version: **for surface fixing**

Electromagnet body and handle in aluminium

Magnet body dimensions (mm): 2474 x 48 x 32

(can be cut down to 1750mm)

Dimensions of the handle (mm) 2494 x 96 x 66

Armature plate with residual anti-magnetism pin inserted in the handle body

Operating voltage: 12/24/48 Vdc

Current: 500 mA @12 V / 250 mA @24 V / 125 mA @48V

Internal state sensor with C./N.O./N.C. relay output

Holding force: up to 300 Kg x 2

Relocking time adjustable from 0-25 seconds

Release push button on the handle

Possibility to install the magnet in the handle housing (moving leaf) and the striking plate on the frame

**14800TD****Use:** anti-panic locking system for swing doors
(i.e. condominium front entrance doors)Body in silver anodized aluminium**Packaging:** electromagnet, armature plate and accessories for assembly

Art.	Description
------	-------------

13700KIT TF

ELECTROMAGNETIC LOCK MINI SERIES WITH POWER SUPPLY

FEATURES: locking of fire doors via safety electromagnet. Opening managed from inside the room by means of micro-switch command installed on the anti-panic bar which activates upon pressing the opening bar and by means of a key switch or access control system from outside. Release of the electromagnet can also be managed from a remote position with a special push button.

Kit is made up of:

- 1 Electromagnet Art. 13700TD
- 1 "L" Bracket Art. 03700
- 1 Base stainless steel armature plate Art. 03003
- 1 Power supply Art. 05320



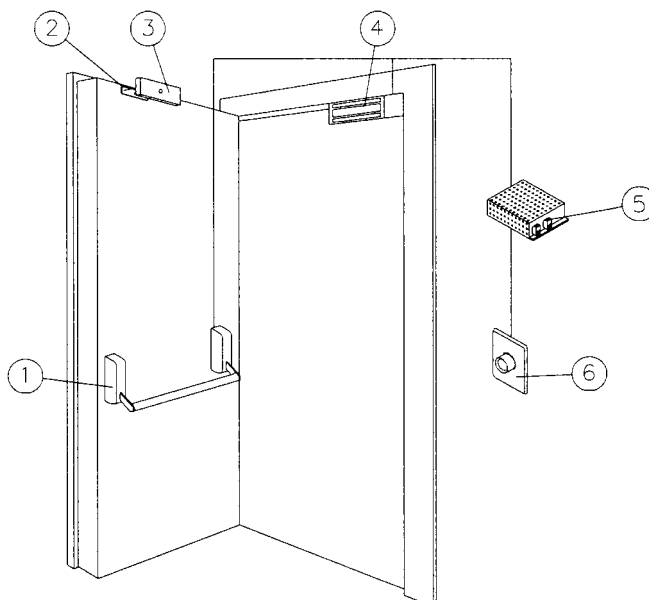
13700KIT TFB

ELECTROMAGNETIC LOCK MINI SERIES WITH POWER SUPPLY AND BACKUP BATTERY

FEATURES: the functional characteristics are the same as the previous article except the power supply is provided in a wall-mounted, grey ABS container with space for the backup battery.

Kit is made up of:

- 1 Electromagnet Art. 13700TD
- 1 "L" Bracket Art. 03700
- 1 Base stainless steel armature plate Art. 03003
- 1 Power supply Art. 05312
- 1 Rechargeable battery Art. 00712

**LEGENDA**

- 1 Panic bar with micro switches and lead covers (upon request)
- 2 Striking plate base
- 3 Striking plate
- 4 Electromagnet
- 5 Power supply
- 6 Release button or key switch (optional)

Art.	Description
	<p>“L” MOUNTING BRACKET In SILVER anodized aluminium In BLACK anodized aluminium Dimensions (mm): 268 x 38 x 76 Use: for mounting of electromagnets, series 130, 131 and 140 on “push” doors from inside with emergency type exits (See drawing at page 39)</p>
	<p>“Z” MOUNTING BRACKET In SILVER anodized aluminium In BLACK anodized aluminium Dimensions (mm): 266 x 38 x 76 mm. (L bracket) 220 x 142 x 71-98 mm. (Z bracket) Use: for mounting of electromagnets, series 130, 131 and 140 on “pull” doors from inside. Kit is made up of 3 pieces. (See drawing at page 39)</p>
	<p>UNIVERSAL, ADJUSTABLE “L” MOUNTING BRACKET In galvanized white steel Dimensions (mm): 268 x 38 - 76 mm. Use: for mounting of electromagnets, series 130, 131 and 140 on “push” doors from inside with emergency type exits (See drawing at page 39)</p>
	<p>“UNIVERSAL” ARMATURE PLATE FOR FIRE DOORS Armature plate base for fixing the holding Armature plate on fire doors without drilling supplementary holes Dimensions (mm): 175 x 32 x 3 Use: for all electromagnets 130, 131, 136, 137, 140 (See drawing at page 39)</p>
	<p>“UNIVERSAL” ARMATURE PLATE BASE FOR SAFETY AND FIRE DOORS Armature plate base in stainless steel for fixing the holding Armature plate on fire doors without using through bolt screws on the outside of the door Dimensions (mm): 200 x 65 x 16 Use: for all electromagnets 136, 137 (See drawing at page 39)</p>
	<p>“UNIVERSAL” ARMATURE PLATE BASE FOR SAFETY DOORS Armature plate base in silver anodized aluminium for fixing the holding Armature plate on fire doors without using through bolt screws on the outside of the door Dimensions (mm): 200 x 55 x 15 Use: for all electromagnets 136, 137 (See drawing at page 39)</p>
	<p>SHORT CASING COVER In black varnished steel for covering only the “L” bracket Art. 03000, 03002 Dimensions (mm): 271 x 41 x 79 - see drawing at page 38 Use: for all electromagnets 130, 131 (See drawing at page 40)</p>
	<p>LONG CASING COVER In black varnished steel for covering the “L” bracket Art. 03000, 03002 and the electromagnets Dimensions (mm): 271 x 113 x 79 Use: for all electromagnets 130, 131 (See drawing at page 40)</p>



ACCESSORIES FOR ELECTROMAGNETS SAFETY SERIES

Art.	Description
	<p>03007 “GLASS” ARMATURE PLATE MOUNTING BRACKET For 12 mm. thick doors. Dimensions (mm): 190 x 56 x 22 Use: for fixing of the Armature plate for electromagnets series 136 and 137 on glass doors (See drawing at page 40)</p>
	<p>03500 03500N “L” MOUNTING BRACKET <u>In SILVER anodized aluminium</u> <u>In BLACK anodized aluminium</u> Dimensions (mm): 170 x 28 x 36 Use: for mounting of electromagnets, series 127 on “push” doors from inside with emergency type exits (See drawing at page 39)</p>
	<p>03501 03501N “Z” MOUNTING BRACKET <u>In SILVER anodized aluminium</u> <u>In BLACK anodized aluminium</u> Dimensions (mm): 180 x 88 x 39-48 - see drawing at page 37 Use: for mounting of electromagnets, series 127 on “pull” doors from inside. Kit is made up of 2 pieces Note: article made up of 2 pieces only for fixing of the Armature plate. For fixing of the electromagnet, the “L” bracket must be added - Ref. 03500.</p>
	<p>03600 03600N “L” MOUNTING BRACKET <u>In SILVER anodized aluminium</u> <u>In BLACK anodized aluminium</u> Dimensions (mm): 200 x 41 x 27 Use: for mounting of electromagnets, series 136,137 on “push” doors from inside with emergency type exits (See drawing at page 39)</p>
	<p>03601 03601N “Z” MOUNTING BRACKET <u>In SILVER anodized aluminium</u> <u>In BLACK anodized aluminium</u> Dimensions (mm): 180 x 88 x 39 mm.) Use: for mounting of electromagnets, series 128 on “pull” doors from inside. Kit is made up of 3 pieces (See drawing at page 39) Note: article made up of 2 pieces only for fixing of the armature plate and 1 L bracket for the fixing of the magnet</p>
	<p>03700 03700N “L” MOUNTING BRACKET <u>In SILVER anodized aluminium</u> <u>In BLACK anodized aluminium</u> Dimensions (mm): 250 x 30 x 48 Use: for mounting of electromagnets, series 128 on “push” doors from inside with emergency type exits (See drawing at page 39)</p>
	<p>03701 03701N “Z” MOUNTING BRACKET <u>In SILVER anodized aluminium</u> <u>In BLACK anodized aluminium</u> Dimensions (mm): 250 x 30 x 48 mm. (L bracket) 220 x 113 x 55 - 77 mm. (Z bracket) Use: for mounting of electromagnets, series 136,137 on “pull” doors from inside. Kit is made up of 3 pieces. (See drawing at page 39)</p>
	<p>03705 SHORT CASING COVER In black varnished steel for covering only the “L” bracket Art. 03700 Dimensions (mm): 254 x 32 x 51 Use: for all electromagnets 136 and 137 (See drawing at page 40)</p>

Art.	Description
	<p>03706 LONG CASING COVER In black varnished steel for covering the "L" bracket Art. 03700 and the electromagnets Dimensions (mm): 254 x 81 x 51 Use: for all electromagnets 136 and 137 (See drawing at page 40)</p>
	<p>03707 03707N "L" BRACKET WITH CASING COVER In SILVER anodized aluminium In BLACK anodized aluminium Dimensions (mm): 247 x 48 x 30 Use: for mounting of electromagnets, series 136, 137 on "push" doors from inside with emergency type exits complete with casing cover (See drawing at page 40)</p>
	<p>03707L 03707LN "L" BRACKET WITH CASING COVER In SILVER anodized aluminium In BLACK anodized aluminium Dimensions (mm): 262 x 48 x 30 Use: for mounting of electromagnets, series 13700TDL on "push" doors from inside with emergency type exits complete with casing cover (See drawing at page 40)</p>
	<p>03708 03708N "Z" BRACKET WITH CASING COVER In SILVER anodized aluminium In BLACK anodized aluminium Dimensions (mm): 250 x 97 x 48 - 70 mm - see drawing page 38 Use: for mounting of Armature plate for electromagnets, series 136, 137 on "pull" doors from inside complete with casing cover (See drawing at page 40) Note: article made up of 2 pieces only for fixing of the Armature plate. For fixing of the electromagnet, the "L" bracket must be added - Ref. 03700</p>
	<p>03708L 03708LN "Z" BRACKET WITH CASING COVER In SILVER anodized aluminium In BLACK anodized aluminium Dimensions (mm): 262 x 104 x 48 - 70 mm. Use: for mounting of Armature plate for electromagnets, series 13700TDL on "pull" doors from inside complete with casing cover Note: article made up of 3 pieces only (See drawing at page 40)</p>
	<p>03709 03709N SHEAR LOCK CASING FOR ELECTROMAGNET In SILVER anodized aluminium In BLACK anodized aluminium Dimensions (mm): 352 x 50 x 45 Use: for surface mounting of the electromagnets Shear-Lock on solid or pre-existing doors (See drawing at page 40) Packaging: 1 Carter for fixing of the electromagnet or the Armature plate and mounting accessories</p>
	<p>03710 03710N MICRO SHEAR LOCK CASING FOR ELECTROMAGNET In SILVER anodized aluminium In BLACK anodized aluminium Dimensions (mm): 183 x 49 x 36 Use: for surface mounting of the electromagnets Micro Shear-Lock for rim type application (See drawing at page 40) Packaging: 1 Carter for fixing of the electromagnet or the Armature plate and mounting accessories</p>



ACCESSORIES FOR ELECTROMAGNETS SAFETY SERIES

Art.	Description
------	-------------



01127
01130
01134
01137
01137L

ARMATURE PLATES FOR ELECTROMAGNETS (SPARES)

For electromagnets series 125, 127, 128
For electromagnets series 130, 131, 132, 140
For electromagnets series 134
For electromagnets series 135, 136, 137
For electromagnets series 13700TDL



00142

CONDUIT CONNECTOR FITTING - IP65

Conduit connector fitting - this connector is used to terminate flexible metal conduit to knockout in dry location
For electromagnets series 14212R and 14222R
Supplied with metal sheath black coloured 1Mt long



00147
00147N

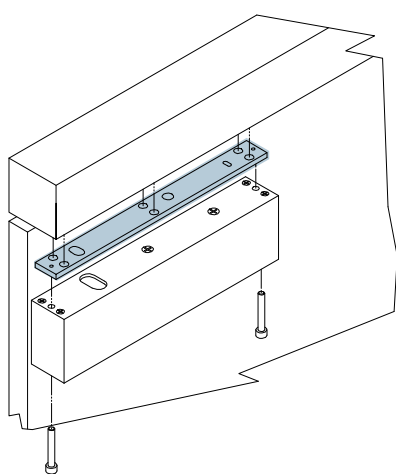
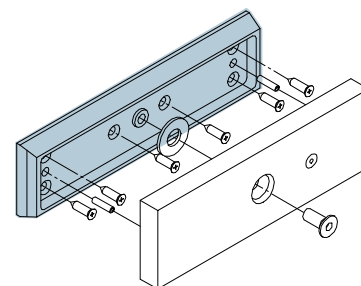
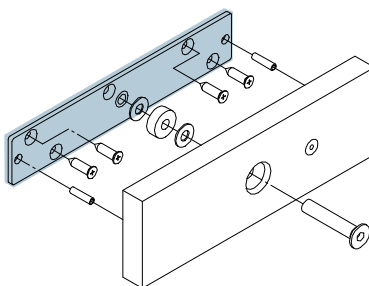
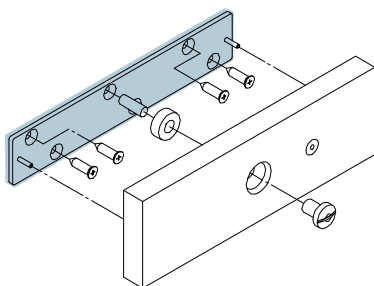
UNDERPLATE FOR ELECTROMAGNET REF. 14700TD

2 mm thick stainless steel underplate for the compensation of the alignment between the electromagnet and counterplate mounted on doors that are not coplanar
Dimensions (mm): 323 x 48 x 2
Stainless steel finish
Black steel finish

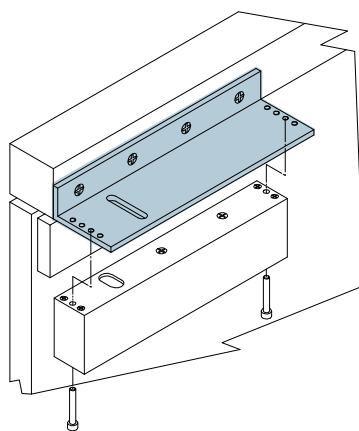
Base Art. 03003

Base Art. 03004

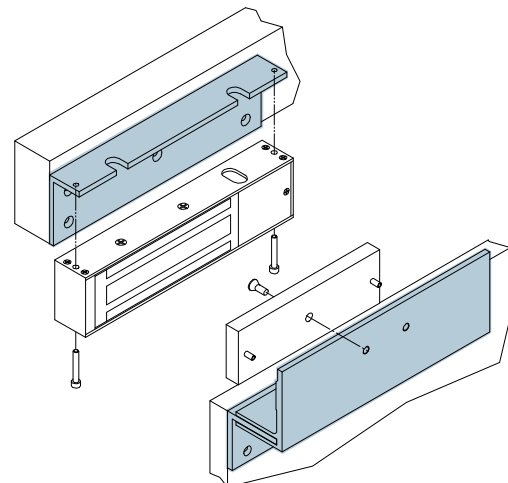
Base Art. 03004A



Bracket provided



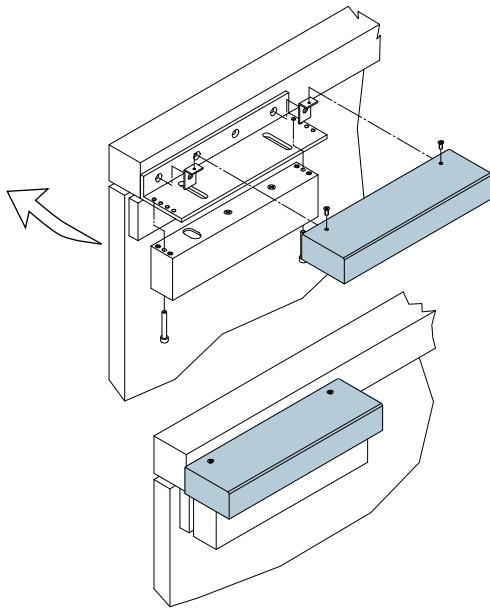
"L" shape bracket
item code 03002



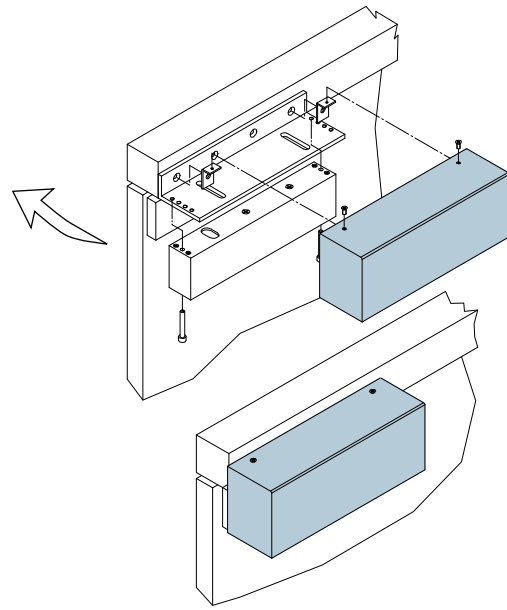
"Z" shape bracket



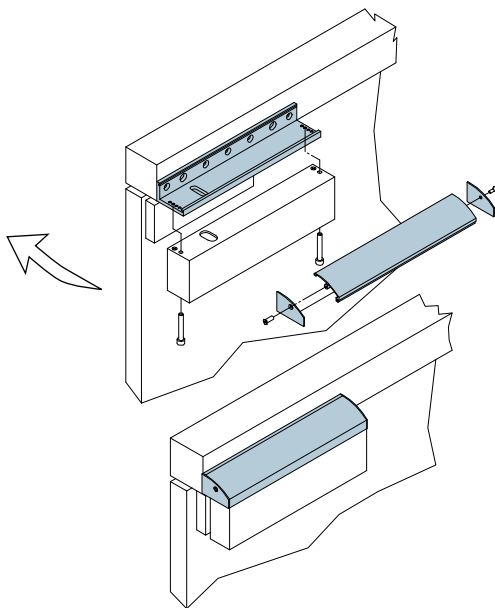
Short cover



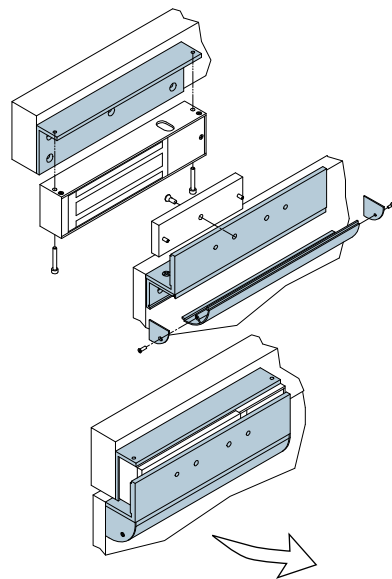
Long cover



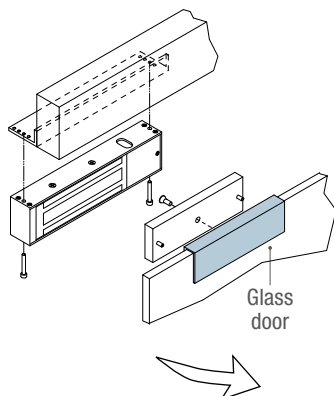
"L" shape bracket with cover



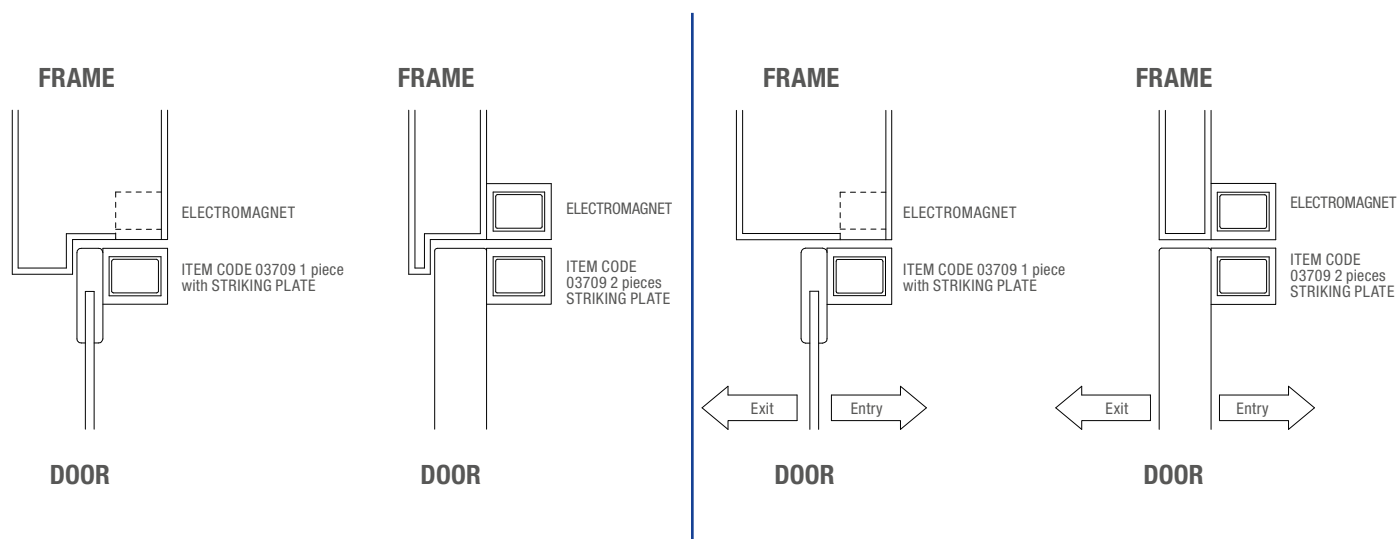
"Z" shape bracket with cover



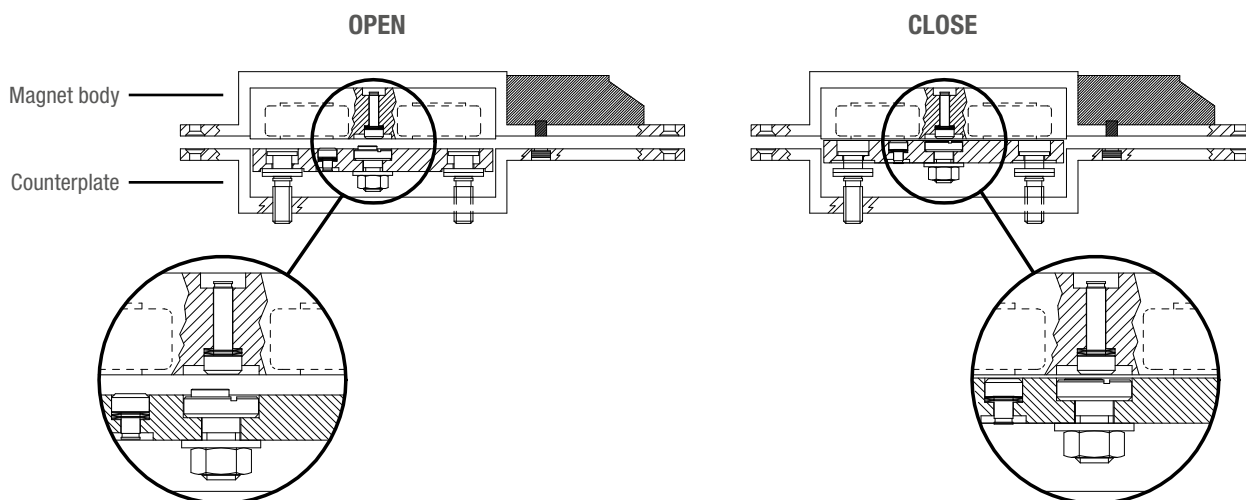
"U" shape bracket



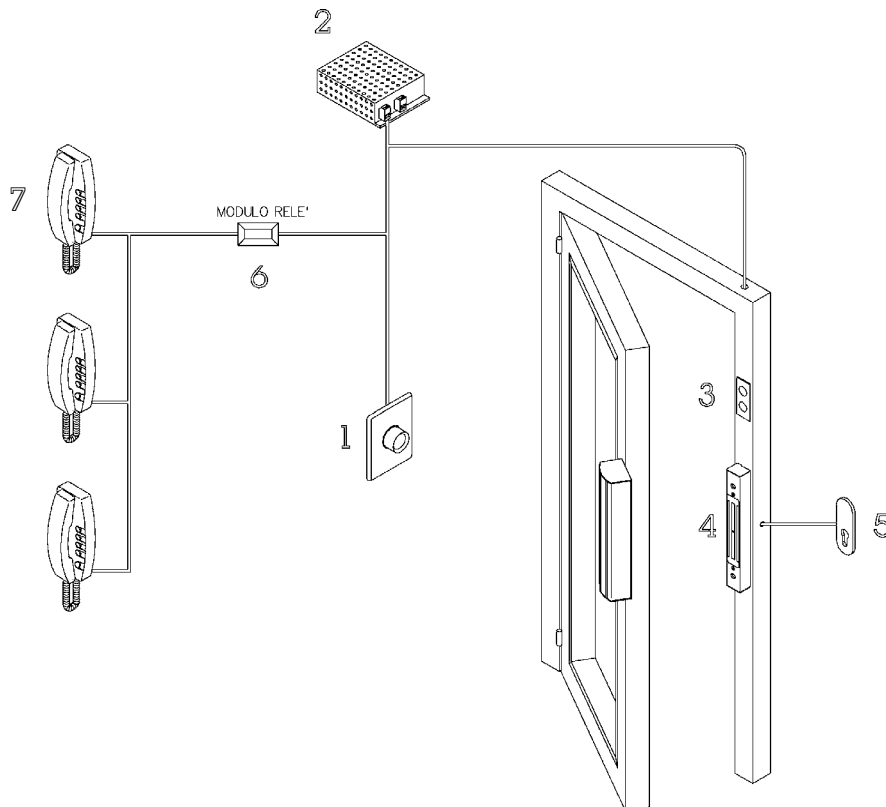
COVER CARTER SHEAR-LOCK



HOW SHEAR-LOCK WORKS



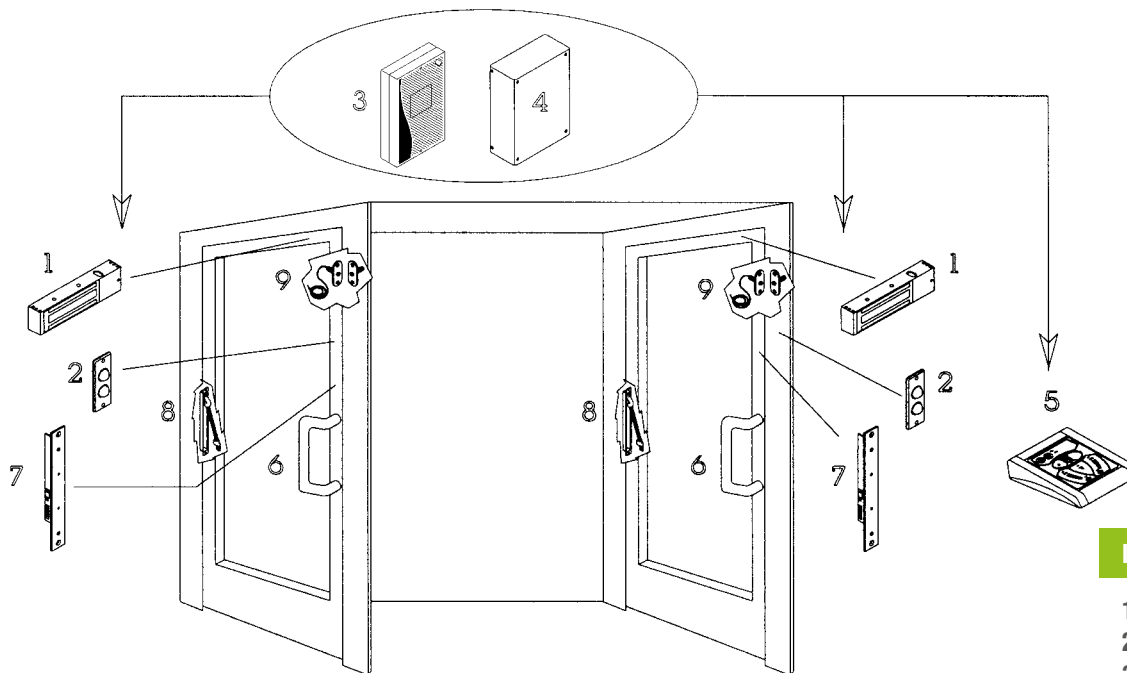
ENTRANCE DOOR SYSTEM WITH SAFETY RANGE ELECTROMAGNET 147



LEGENDA

- 1 Push button
- 2 Power supply
- 3 Indicator lamp
- 4 Electromagnet
- 5 Key selector
- 6 Relay module
- 7 Interphone system

INTERLOCKING DOORS SYSTEM WITH SAFETY RANGE ELECTROMAGNETS



LEGENDA

- 1 Electromagnets
- 2 Indicator lamps
- 3 Electronic Unit
- 4 Power supply
- 5 Command console
- 6 Sensitive bars
- 7 Sensitive cards
- 8 Lead Covers
- 9 Magnetic sensors



Art.	Description
------	-------------

51300

RELOCKING DELAY MODULE

Electronic board for management of relocking delay for all safety electromagnets

Dimensions (mm): 60 x 28 x 17

Operating voltage: 12 / 24 Vdc

Relock time adjustable from 1 - 40 seconds

Use: board which can also be inserted inside electromagnets Art. 13000, 13100, 14000

Can be connected externally to the other electromagnet articles not already timed

51400

OPENING DELAY MODULE

Electronic board for management of the opening delay for the emergency exits equipped with safety electromagnets

Dimensions (mm): 57 x 42 x 17

Operating voltage: 12 / 24 Vdc

Relock time adjustable from 0 - 15 seconds

N.O. input for begin delay contact

N.O. input for timer reset

12 Vdc output for alarm buzzer

Use: board which can also be inserted inside electromagnets Art. 13000, 13100, 14000

Can be connected externally to the other electromagnet articles

51500

RELOCKING DELAY RELAY MODULE

Electronic board for timed management of electric lock activation

Dimensions (mm): 61 x 61 x 12

Operating voltage: 12 Vdc / 10 mA at rest - 60 mA with relay active

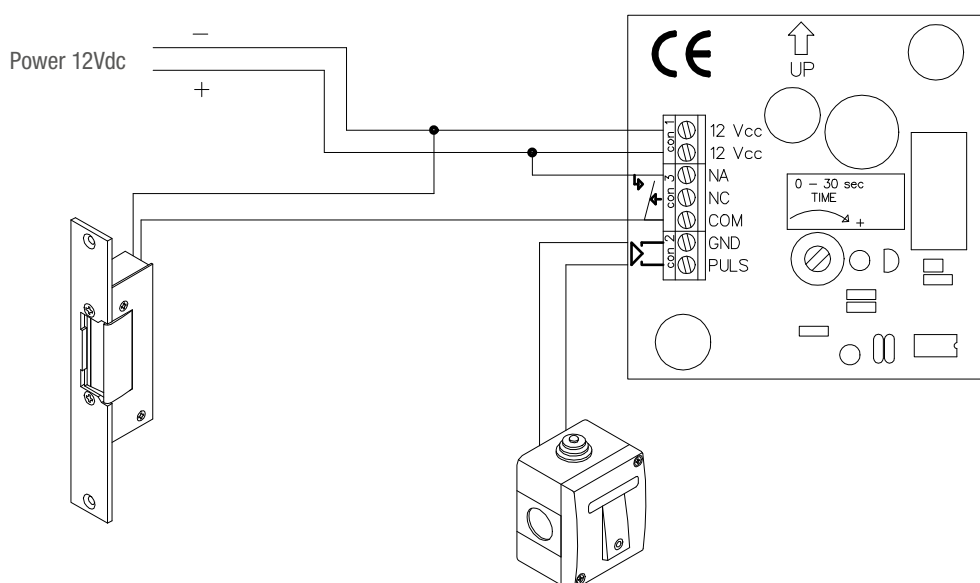
Relock time adjustable from 0 - 30 seconds

N.O. input for relay activation contact

Relay output with C./N.O./N.C. dry contact

Use: board which can also be inserted inside activation button Art. 05115 (see page 64)

APPLICATIONS EXAMPLES ART. 51500



Art.	Description
------	-------------

55001

MANAGEMENT ELECTRONICS "EXIT SYSTEM"

Electronic board for management and control of opening emergency exits equipped with electromagnets in the Safety series.

Wall mount container in grey, inspectable ABS, complete with 230 / 12 Vac transformer

Dimensions (mm): 300 x 225 x 130

Board power: 12 Vac/dc

Built-in backup battery charger circuit

Adjustable timer for:

Opening request only alarmed or delayed from 5 to 60 seconds

- Delayed alarm opening from the outside from 10 to 120 Seconds (can be enabled)

- Manual opening management with relocking

from 0 to 5 seconds upon approach of the door and

from 0 to 60 seconds if the door is not opened

- Alarm for prolonged opening of the door from 10 to 120 seconds (can be enabled)

Inputs with N.O. contact for:

- Immediate opening

- Opening from key switch with delayed alarm

- Delayed opening or request for opening with alarm

- Emergency

- Block

- Reset

Outputs with N.O. relay contact for:

- Electromagnetic blocked/unblocked status (double switching)

- Opening request alarm or delayed opening

- Prolonged door opening alarm

- Emergency opening alarm

- Delayed alarm for opening from the outside

- System Fault Alarm

- Starting of system

Door position open/closed (Open Collector) **On request:** backup battery

Art. 00712 (page 197)

**CONTROL CONSOLE "CONTROL SYSTEM"**

Aluminium console box in black with silk screened polycarbonate panel

Membrane button with touch effect

Dimensions (mm): 195 x 160 x 50

Operating voltage: 12/24 Vac/Vdc

Connections via screw terminal block

ON/OFF key switch for turning off system via external relay (i.e. Art. REL12V)

N.O. input for signalling electromagnet status (blocked / unblocked)

N.O. input for signalling door status

N.O. / + 12 Vdc Input for alarm activation

N.O. Output for door opening command

N.O. Output for reset command

N.O. Output for block command

N.O. Output for emergency command

Optical signalling via LED:

Red / Green magnet status (blocked / unblocked)

Red / Green for indication of door Open / Closed

Red for Alarm, Reset, Emergency, Block, Power

Internal buzzer for acoustic signalling of the pressing of buttons, for

signalling of active alarms and low battery

Note: complete characteristics of the console page 130

54611A

For 1 door

54612A

For 2 doors

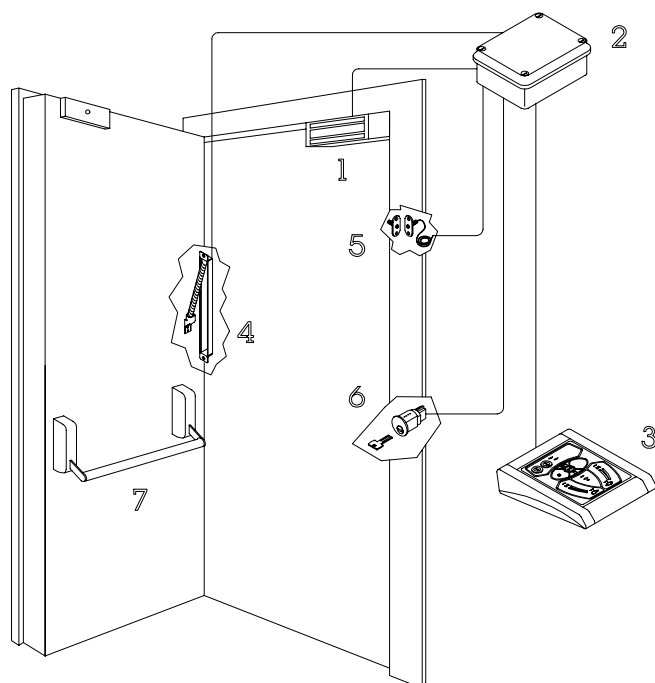
Use: universal console for Art. 51400 or 55001



Art.	Description
55003	<p>ELECTROMAGNET WITH “EXIT SYSTEM” INTEGRATED MANAGEMENT ELECTRONICS</p> <p>Version: to apply</p> <p>Casing made of brushed stainless steel Casing dimensions: 280 x 158 x 115 mm Nickel-plated steel fixing bracket</p> <p>Electronic board for the management and opening control of the emergency exits equipped with Safety series electromagnets. Maxi series internal electromagnet made of silver anodized aluminum Restraint counterplate to be fixed on the door with anti-residual magnetism pin: 185 x 60 x 16 mm Traction force: up to 600 kg. Power supply: 12V ac/dc Hall effect electromagnet status sensor Optical signaling of the status (standby/alarm) through red - green jumbo LED Acoustic signal of the alarm status by buzzer Internal relay on the status of the blocked/unblocked electromagnet with C. - N.A. - N.C. contacts Rechargeable plug battery 12 Vdc / 2.2 A</p> <p>Electronic board for the management and opening control of the emergency exit</p> <p>Adjustable timing for:</p> <ul style="list-style-type: none"> - Opening request delayed from 5 to 60 sec with alarm - Opening alarm from outside delayed from 10 to 120 sec - Manual opening management with reclosing from 0 to 5 sec. with approach of door and from 0 to 60 sec. if the door is not opened - Door opening prolonged alarm from 10 to 120 sec. <p>Inputs with N.O. contact for:</p> <ul style="list-style-type: none"> - Immediate opening - Immediate opening by mechanical key switch from outside, with delayed alarm - Delayed opening or request of opening with alarm - Emergency - System block - Alarm reset <p>Outputs with N.O contact for:</p> <ul style="list-style-type: none"> - Electromagnet status (double switching) - Alarm, Opening request time delay - Alarm, Prolonged door opening - Alarm, Emergency - Alarm, Opening from outside - Alarm, System fault - Starting of system - Door position contact (Open Collector)



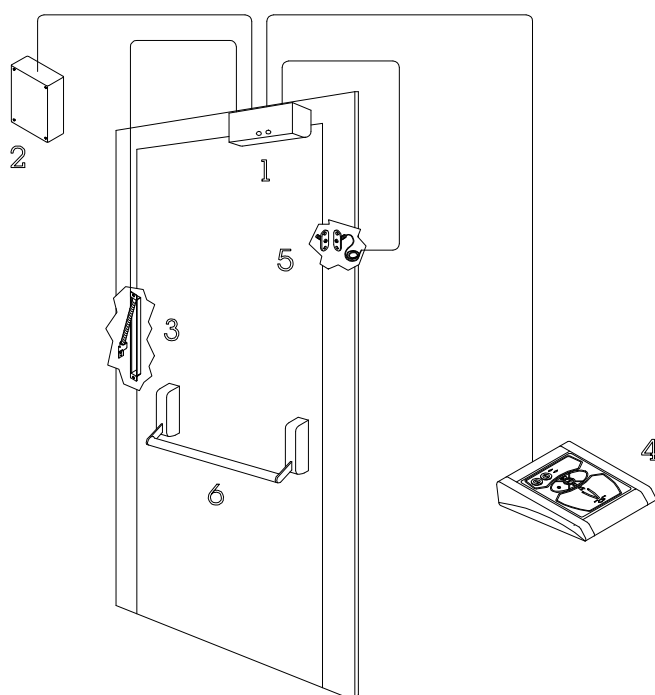
SINGLE DOOR SYSTEM WITH SAFETY RANGE ELECTROMAGNETS



LEGENDA

- 1 Electromagnet
- 2 Exit System Electronics
- 3 Console
- 4 Concealed lead cover
- 5 Magnetic sensor
- 6 Key switch
- 7 Panic bar with micro switch

EMERGENCY EXIT WITH SAFETY ELECTROMAGNET



LEGENDA

- 1 Electromagnet with Exit System electronics
- 2 Power supply
- 3 Concealed lead cover
- 4 Console
- 5 Magnetic sensor
- 6 Panic bar with micro switch



SELF MANAGED ALARM SYSTEM FOR CONTROLLED EMERGENCY EXITS ALARM SYSTEM SERIES

Art.	Description
------	-------------

55005

SELF-MANAGED ALARM "ALARM SYSTEM"

Alarm system for opening control of emergency exits equipped with only a mechanical lock or panic bar.

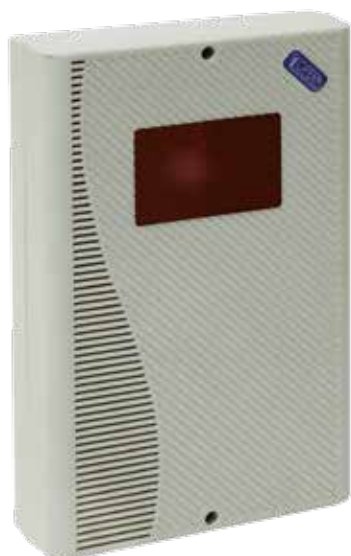
Wall mount container in beige ABS

Dimensions (mm): 240 x 150 x 48

Board power: 12 Vac/dc

Built-in backup battery charger circuit

Alarm signalling via lamp and intermittent buzzer



Use: alarm system for emergency exits

Adjustable timer for:

- Alarm interval before self-reset (adjustable from 5 to 60 seconds)
- Turning off of the reset alarm with fixed time of 5 seconds
- Alarm for prolonged opening of the leaf from 5 to 120 seconds

Inputs with N.O. contact for:

- Immediate authorised opening (without alarm)
- Door sensor
- Reset

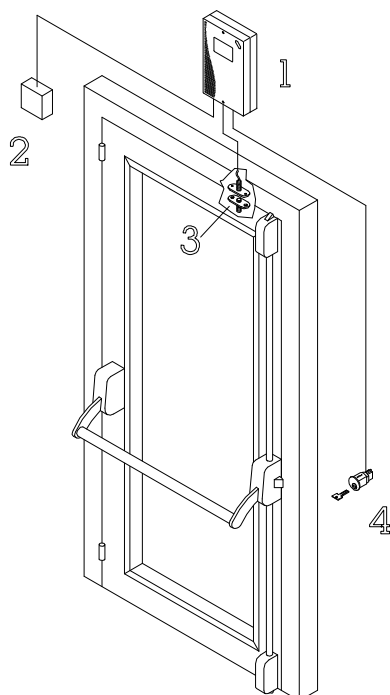
Outputs with N.O. relay contact for:

- Unauthorised opening alarm
- Prolonged door opening alarm
- Starting of system

Description of operation:

the central unit allows surveillance of passages through emergency exits. Personnel authorised to pass, activating a dry contact with a badge, keypad, key switch, etc... can open the door without activating the alarm. If the door is reclosed within the set time, no alarm is activated. If the door must remain open beyond the door "Prolonged Opening" time, the specific alarm is activated which deactivates automatically upon relocking of the door or by pressing the reset button.

On the contrary, if the door is opened without authorisation, the "Opening" alarm is activated immediately and remains active for the pre-established interval, after which an auto-reset is automatically performed which deactivates the alarm for 5 seconds. At this point, if the door has been reclosed, the system goes back into stand-by. Otherwise, if the door remains open, the alarm status will reactivate. The reset can also be performed by remote button.



LEGENDA

- 1 Single zone fire alarm panel
- 2 Power transformer or power supply
- 3 Magnetic sensor
- 4 Key switch





FIRE CONTROL

- ▶ FIRE HOLD OPEN MAGNETS
- ▶ HYDRAULIC DAMPERS FOR SLIDING DOORS
- ▶ HYDRAULIC IMPACT SHOCK ABSORBERS
- ▶ SINGLE ZONE FIRE CONTROLLER
- ▶ FIRE AND SMOKE DETECTORS





FIRE CONTROL

www.opera-italy.com



AVAILABLE COLOURS



Black Abs

Grey Abs

Silver aluminium

Gold aluminium

Black aluminium

PLUS

- ▶ Strong steel fixing base
- ▶ Steel striking plate
- ▶ Abs box, anodized aluminium or steel
- ▶ CE-EN1155 certification at the upper level
- ▶ 12 - 24 - 48V operating voltage



Certificate EN1155



FIRE DOOR EXAMPLE

- ▶ Version for wall or floor fixing
- ▶ Fixed or swinging striking plates
- ▶ Abs, anodized aluminium or steel box
- ▶ CE-EN1155 certification at the upper level
- ▶ 12 - 24 - 48V operating voltage



Art.	Description
------	-------------



01620
01620I

HOLD OPEN ELECTROMAGNET

Electromagnetic body with rear M8 fixing hole
 Electromagnet dimensions: diameter (mm) 50 x 30
 Operating voltage: 24 Vdc - Absorbed current: 70 mA
 Holding force: > 55 Kg. with electromagnet coupled with its Armature plate - (upon request reduced force to 20 Kg. See variant at page 58) -
[Electromagnet only](#)
[Electromagnet complete with Armature plate 55mm diameter](#)
Use: door holding electromagnet for swing or sliding counterweighted doors



01630
01630I

HOLD OPEN ELECTROMAGNET

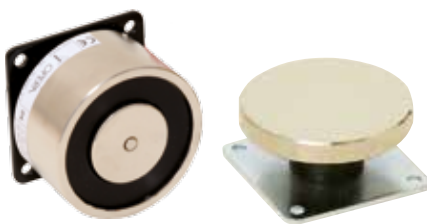
Electromagnet body with fixing plate
 Fixing plate dimensions (mm): 65 x 65 x 3
 Electromagnet dimensions: diameter (mm) 50 x 39
 Operating voltage: 24 Vdc - Absorbed current: 70 mA
 Holding force: > 55 Kg. with electromagnet coupled with its Armature plate - (upon request reduced force to 20 Kg. See variant at page 58)
 Spring for anti-residual magnetism on the electromagnet body
[Electromagnet only](#)
[Electromagnet body with fix Armature plate item 01800Z](#)
Use: door holding electromagnet for swing or sliding counterweighted doors



01820
01820I

HOLD OPEN ELECTROMAGNET

Electromagnet body with rear M8 fixing hole
 Electromagnet dimensions: diameter (mm) 70 x 38
 Operating voltage: 24 Vdc - Absorbed current: 70 mA
 Holding force: > 140 Kg.
 (with electromagnet coupled with its Armature plate)
[Electromagnet only](#)
[Electromagnet complete with Armature plate 70mm diameter](#)
Use: door holding electromagnet for swing or sliding counterweighted doors



01830
01830I

OLD OPEN ELECTROMAGNET

Electromagnet body with fixing plate
 Fixing plate dimensions (mm): 65 x 65 x 3
 Electromagnet dimensions: diameter (mm) 70 x 38
 Operating voltage: 24 Vdc -
 Absorbed current: 70 mA
 Holding force: > 140 Kg.
 Spring for anti-residual magnetism on the electromagnet body
[Electromagnet only](#)
[Electromagnet body with fix Armature plate item 01810Z](#)
Use: door holding electromagnet for swing or sliding counterweighted doors




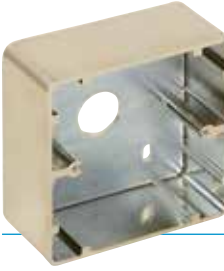


17003A

HOLD OPEN ELECTROMAGNET

Version: **wall mount**
 Cylindrical body on painted aluminium base Magnet with resin coated coil
 Base and Armature plate dimensions (mm): 90 x 90 x 6
 Magnet dimensions: diameter (mm) 80 x 47 h.
 Armature plate dimensions: diameter (mm) 80 x 22 h.
 Operating voltage: 24 Vdc - Absorbed current: 250 mA
 Holding force: 180 Kg.
 Residual anti-magnetism pin on the Armature plate
 Provided with Armature plate fixed on galvanized steel base
Use: door holding electromagnet for swing or sliding counterweighted doors



HOLD OPEN ELECTROMAGNETS FOR FIRE DOORS FIRE CONTROL SERIES

Art.	Description
	<p>18003 HOLD OPEN ELECTROMAGNET Version: flush wall mount Front plate in stainless steel Front dimensions (mm): 85 x 85 x 2 Electromagnet dimensions: diameter (mm) 50 x depth 35 Operating voltage: 24 Vdc - Absorbed current: 70 mA Holding force: > 55 Kg. (on request reduced force to 20 Kg. - LF version, see page 58) Residual anti-magnetism pin on the electromagnet body Screw connection connector with anti-disturb varistor <u>Provided without Armature plate (to be ordered separately - see page 56)</u> With push button release Compliance: EN 1155 Use: door holding electromagnet for swing fire doors</p>
	<p>01780 BOX FOR FLUSH MOUNT ELECTROMAGNET Body: in silver coloured aluminium Dimensions (mm): 85.5 x 85.5 x 38.5 mm. Use: box for flush or application mount for electromagnet item 18003</p>
	<p>18005 18005B HOLD OPEN ELECTROMAGNET Version: floor mount Body in black or white painted steel - see dimensions at page 54 Operating voltage: 24 Vdc - Absorbed current: 70 mA Holding force: > 55 Kg. (on request reduced force to 20 Kg. - LF version, see page 58) Residual anti-magnetism pin on the electromagnet body Screw connection connector with anti-disturb varistor <u>Provided without Armature plate (to be ordered separately - see page 56)</u> With push button release <u>Body in black painted finish</u> <u>Body in white painted finish</u> Compliance: EN 1155 Use: door holding electromagnet for swing fire doors</p>
	<p>19000 19000GC 19001 19001GC Art + R Art + DV HOLD OPEN ELECTROMAGNET Version: Wall mount Body in ABS with galvanized steel base Nickel plated magnet block See dimension at the bottom of the page Operating voltage: 24 Vdc - Absorbed current: 70 mA Fixed Holding force: > 55 Kg. (on request reduced force to 20 Kg. - LF version, see page 56) Residual anti-magnetism pin on the electromagnet body Connector with anti-disturb varistor <u>Provided without Armature plate (to be ordered separately - see page 54)</u> Without push button release <u>Body in black colour ABS</u> <u>Body in grey colour RAL 7035 ABS</u> With push button release <u>Body in black colour ABS</u> <u>Body in grey colour RAL 7035 ABS</u> <u>Holding force adjustable from 10-50 Kg.- (i.e. 19001R)</u> <u>Dual voltage - automatic voltage selection 24/48Vdc and manual selection of the desired holding force 20/55Kg</u> Compliance: CE EN1155 Use: door holding electromagnet for swing fire doors</p>





Art.

Description

HOLD OPEN ELECTROMAGNETVersion: **Wall mount**

Body in anodized aluminium with base in galvanized steel

Nickel plated magnet block

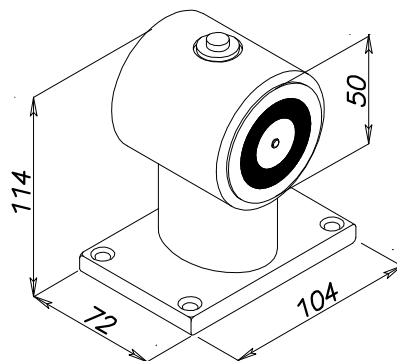
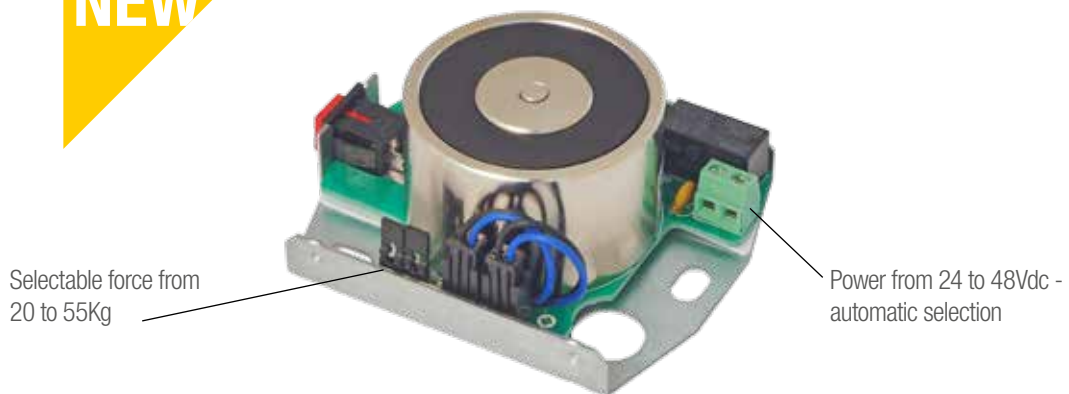
See dimensions at the bottom of the page

Operating voltage: 24 Vdc - Absorbed current: 70 mA

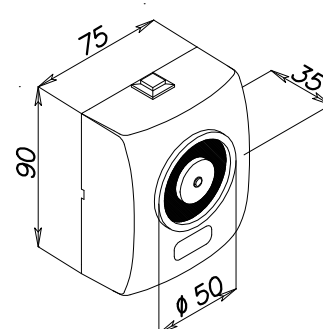
Fixed Holding force: > 55 Kg. (on request reduced force to 20 Kg. - LF version, see page 58)

Residual anti-magnetism pin on the electromagnet body

Connector with anti-disturb varistor

Provided without Armature plate (to be ordered separately - see page 56)**With push button release****19002**Body in silver colour anodized aluminium**19002N**Body in black colour anodized aluminium**19002GD**Body in gold colour anodized aluminium**Art + R**Holding force adjustable from 10-50 Kg. - (i.e. 19002R)**Art + DV**Dual voltage - automatic voltage selection 24/48Vdc and manual selection of the desired holding force 20/55Kg**Note:** on request without push button release**Compliance:** EN 1155**Use:** hold open electromagnet for swing fire doors**DUAL VOLTAGE VERSION - DV****NEW**

Series 18005



Series 190



HOLD OPEN ELECTROMAGNETS FOR FIRE DOORS FIRE CONTROL SERIES

Art.	Description
------	-------------

18100

HOLD OPEN ELECTROMAGNET

Version: **Wall mount**

Box in black painted steel

See dimensions at the bottom of the page

Operating voltage: 24 Vdc / Absorbed current: 70 mA

Holding force: > 140 Kg.

Residual anti-magnetism pin on the electromagnet body

Connector with anti-disturb varistor

Provided without Armature plate (to be ordered separately - see page 56)**Without push button release****Compliance:** EN 1155**Use:** door holding electromagnet for swing fire doors

18101

HOLD OPEN ELECTROMAGNET

Version: **Wall mount**

Box in black painted steel

See dimensions at the bottom of the page

Operating voltage: 24 Vdc / Absorbed current: 70 mA

Holding force: > 140 Kg.

Residual anti-magnetism pin on the electromagnet body

Connector with anti-disturb varistor

Provided without Armature plate (to be ordered separately - see page 56)**With push button release****Compliance:** EN 1155**Use:** hold open electromagnet for swing fire doors

18004

18104

HOLD OPEN ELECTROMAGNET

Steel base

Magnet base and Armature plate dimensions (mm): 65 x 65 x 3

See dimensions at the bottom of the page

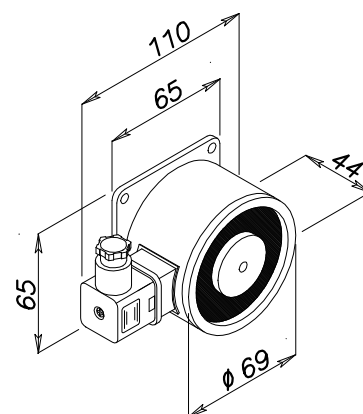
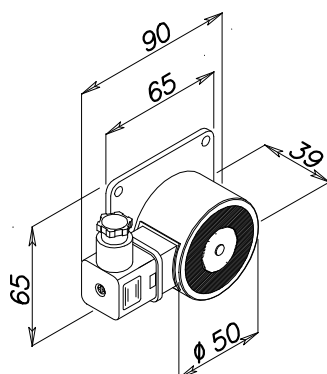
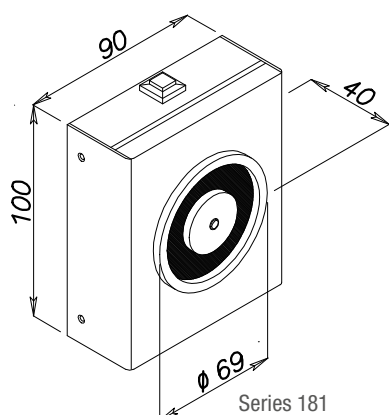
Diameter mm 70 x 41 (ref. 18104)

Operating voltage: 24 Vdc - Absorbed current: 70 mA

Holding force: > 140 Kg.

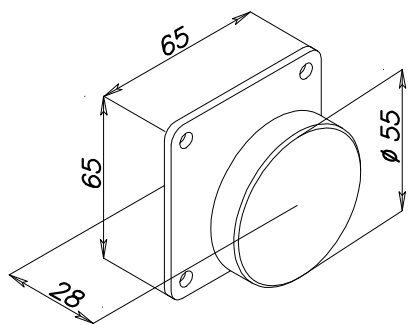
Residual anti-magnetism pin on the electromagnet body

Connector with anti-disturb varistor

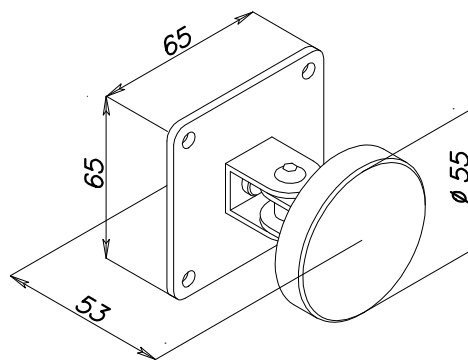
Holding force: 55KgHolding force: 140KgProvided without Armature plate (to be ordered separately - see page 56)**Compliance:** EN 1155**Use:** door holding electromagnet for swing or sliding counterweighted fire doors

Art.	Description
	<p>01800Z FIXED ARMATURE PLATE Fixed Armature plate for electromagnets series 190 Base in galvanized steel See dimensions at page 57 Armature plate diameter (mm): 55</p>
	<p>01805Z SWINGING ARMATURE Swinging Armature plate for electromagnets series 190 Base in galvanized steel See dimensions at page 57 Armature plate diameter (mm): 55</p>
	<p>01810Z FIXED ARMATURE PLATE Fixed Armature plate for electromagnets series 181 Base in galvanized steel See dimensions at page 57 Armature plate diameter (mm): 70</p>
	<p>01815Z SWINGING ARMATURE Swinging Armature plate for electromagnets series 181 Base in galvanized steel See dimensions at page 57 Armature plate diameter (mm): 70</p>
	<p>NON ADJUSTABLE MOUNTING SUPPORT FOR ELECTROMAGNET Bracket not extendable Body in painted steel Bracket (square mm) 35 x 35 for horizontal fixing to wall or vertical to floor of the fire door electromagnets Plate for fixing of the electromagnets adjustable to 180° See dimensions at page 57 01740F <u>Black painted steel</u> 01740BF <u>White painted steel (Ral 9010)</u> Use: for electromagnets series 181, 190</p>
	<p>TELESCOPIC "WALL" OR "FLOOR" MOUNTING SUPPORT FOR ELECTROMAGNET Extendable bracket (square mm) 40 x 40 for horizontal fixing to wall or vertical to floor of the fire door electromagnets Body in black painted steel Plate for fixing of the electromagnets adjustable to 180° Overall dimension 01740 <u>Black colour - length (mm) 140 (adjustable up to 220 mm.)</u> 01740B <u>White colour - length (mm) 140 (adjustable up to 220 mm.)</u> 01740M <u>Black colour - length (mm) 218 (adjustable up to 360 mm.)</u> Use: per elettromagneti serie - 181 - 190</p>
	<p>05115 RELEASE/RESET PUSH BUTTON Box in grey colour plastic material for wall mount Dimensions (mm): 81 x 67 x 55 N.O. / N.C. push button contact Use: push button for remote release of the retainer electromagnets or for silencing reset of the fire control panel Art. 52002</p>

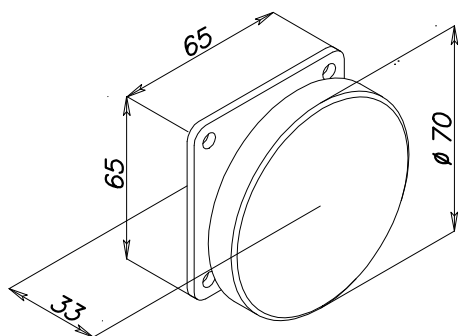
SWINGING PLATES AND BRACKETS DRAWINGS



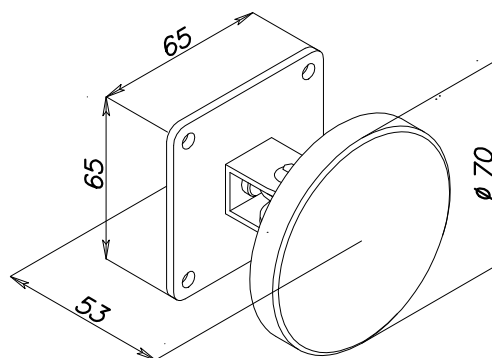
01800Z



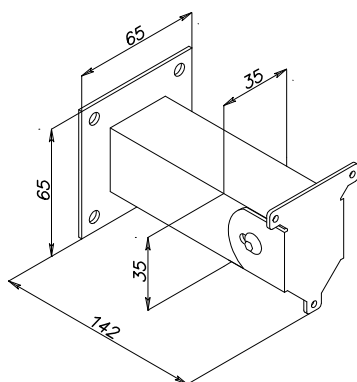
01805Z



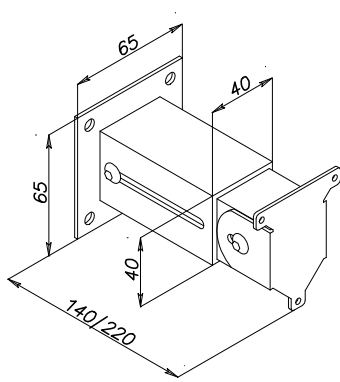
01810Z



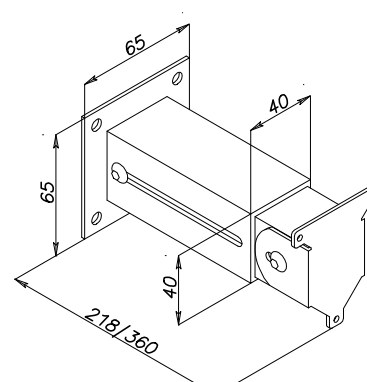
01815Z



01740F

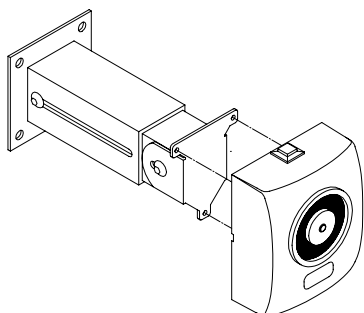


01740

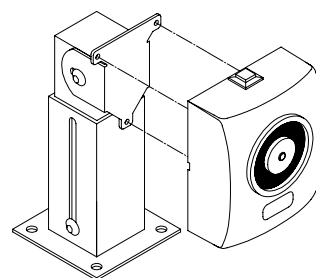


01740M

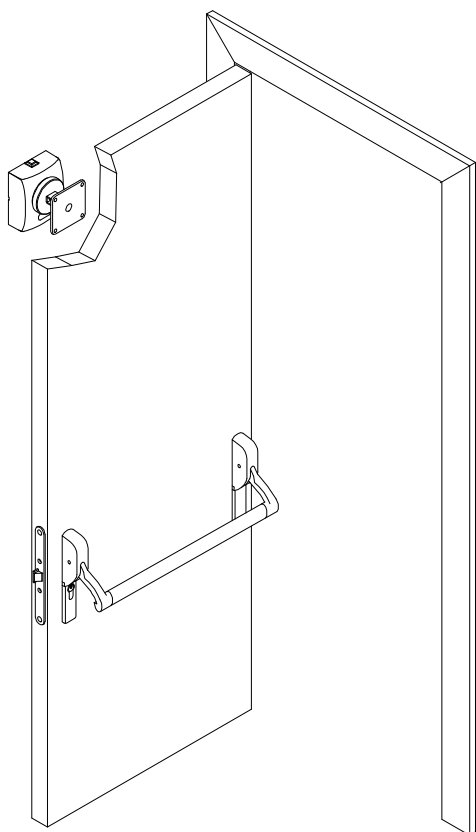
WALL MOUNTING BRACKET EXAMPLE



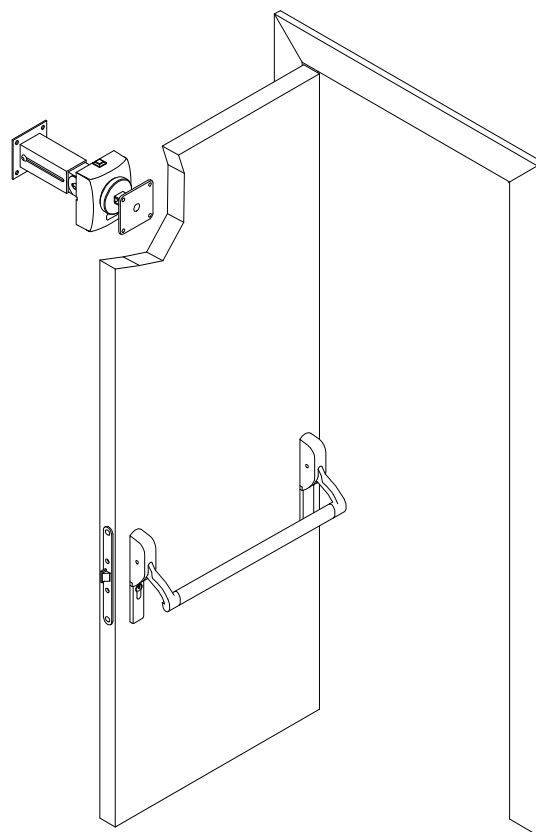
FLOOR MOUNTING BRACKET EXAMPLE



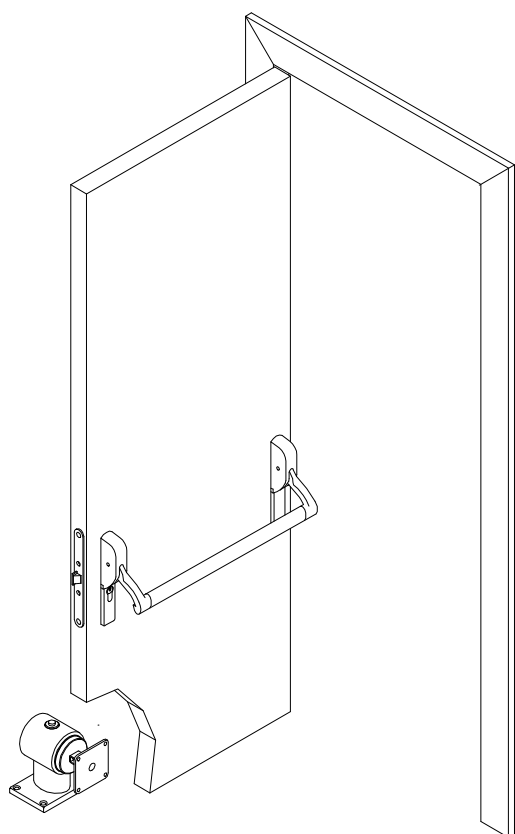
Art.	Description
 <p>12 Vdc</p>	<p>Art. + LV 12 VDC POWER Special coil for voltage 12 Vdc Absorbed current: 120 mA Part no. electromagnet + LV (i.e. 19001LV) Use: for all electromagnets of 01620, 01630, 180, 190 series</p>
 <p>12 Vac</p>	<p>Art. + ALV 12 VAC POWER Special coil and rectifier circuit for operation of the electromagnet at 12 Vac Absorbed current: 130 mA Part no. electromagnet + ALV (i.e. 19001ALV) Use: for all electromagnets of 01620, 01630, 180, 190 series</p>
 <p>24 Vac</p>	<p>Art. + AC 24 VAC POWER Rectifier circuit for voltage at 24 Vac Absorbed current: 100 mA Part no. electromagnet + AC (i.e. 19001AC) Use: for all electromagnets of Fire Control series</p>
 <p>48 Vdc</p>	<p>Art. + HV 48 VDC POWER Special coil for voltage at 48 Vdc Absorbed current: 40 mA Part no. electromagnet + HV (i.e. 19001HV) Use: for all electromagnets of 180, 190 series</p>
 <p>20 Kg</p>	<p>Art. + LF REDUCED HOLDING FORCE 20 KG. Current reducer to bring the holding force for the standard electromagnets to 20 Kg. Part no. electromagnet + LF (i.e. 19001LF) Use: for all electromagnets of 01620, 01630, 180, 190 series</p>
	<p>Art. + F SCREW CONNECTOR Power connector with screw terminal block and anti-disturb varistor fixed on the body of the electromagnet Part no. electromagnet + F (i.e. 01630F) Use: for all electromagnets of 01620, 01630, 01820, 01830 series</p>
 <p>Com. N.A.</p>	<p>Art. + M STATUS SENSOR Internal magnetic sensor with N.O. contact for indication of attracted Armature plate Part no. electromagnet + M (i.e. 19001M) Use: for all electromagnets of 01620, 01630, 180, 190 series</p>



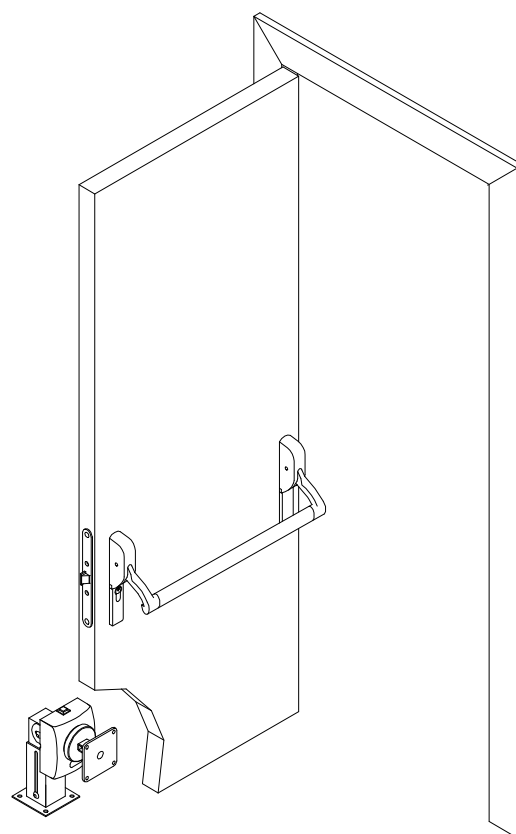
190 + 01805Z series



190 + 01805Z + 01740 series



18005 + 01805Z series



190 + 01805Z + 01740 series

The **hydraulic dampers** allow the automatic reclosure of a sliding fire door to be braked. After the critical moment of departure is over, the velocity of the door increases progressively and proportionally to the travel period and to its own weight. In emergency situations, the energy release could cause serious damage to people or things that may be in the way. The hydraulic regulator allows the closure velocity to be stabilized in a constant way

Art.	Description
60000	<p>HYDRAULIC DAMPERS</p> <p>Body in aluminium See dimensions at the bottom page Pulley in steel, diameter (mm) 60 for insertion of a trapezoidal belt (special pulleys available on request) Hydraulic, free sliding clockwise system and refrained anticlockwise (reversible). Screw adjustment of the refrained system. Working temperature: -15° +70°C Side M8 fixing for insertion on support brackets (sold separately)</p>



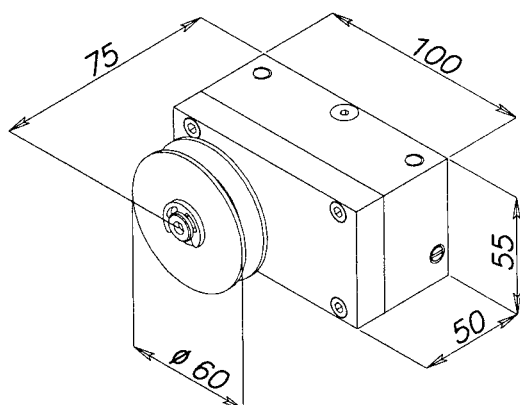
Use: used to limit the run speed of sliding or counterweighted fire doors

60001 3 PULLEY VERSION HYDRAULIC DAMPER

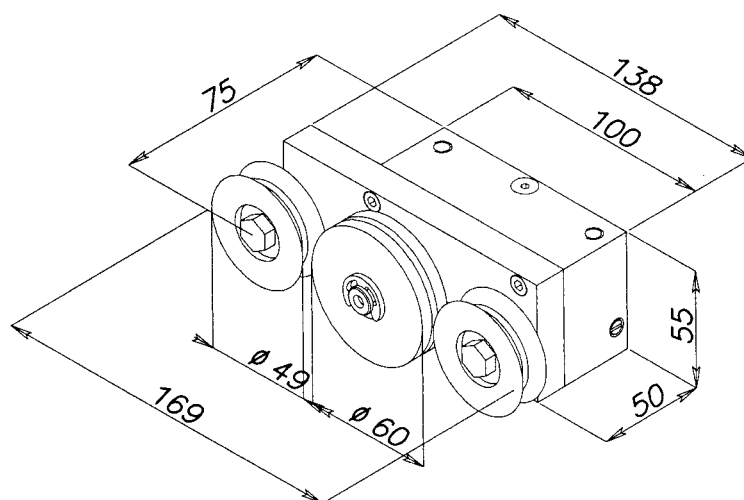
Body in aluminium
See dimension at the bottom page
Pulley in steel with vulcolan insert, diameter (mm) 60 for insertion of a 3 mm. diameter steel cable
Hydraulic, free sliding clockwise system and refrained anticlockwise (reversible).
Screw adjustment of the refrained system.
Working temperature: -15° +70°C
Side M8 fixing for insertion on support brackets (sold separately)



Use: used to limit the run speed of sliding or counterweighted fire doors



60000 Series



60001 Series



HYDRAULIC IMPACT SHOCK ABSORBERS FOR SLIDING FIRE DOORS

The **hydraulic shock absorbers** are used as stops to slow the impact and therefore facilitate the closure of a sliding door thanks to the braking effect deriving from the passage of the oil through holes and slots made in the cylindrical body. The degree of braking can be increased or decreased through a regulation system by opening or closing the passages of the oil through the piston. The stem of the shock absorber, once compressed, automatically rearms upon the reopening of the door through a special magnet, preparing itself for a new cycle

Art.	Description
<p>65000 65000SV</p>	<p>SHORT HYDRAULIC SHOCK ABSORBER Galvanized steel cylindrical body Diameter of the body and magnet: 28 mm Minimum total length including magnet: 196 mm Total length in maximum extension: 252 mm Stroke: 56 mm Hydraulic shock absorbing system Adjustment of the hardness of the shock absorber Fixing through threaded terminals M 16 x 1 Safety valve to release the brake fluid in the case of fire and to prevent the spontaneous reset of the stem by thermal expansion of the liquid (only Art. 65000) <u>With safety valve</u> <u>Without safety valve</u> Use: closure impact shock absorber for sliding fire doors with counterweights</p>



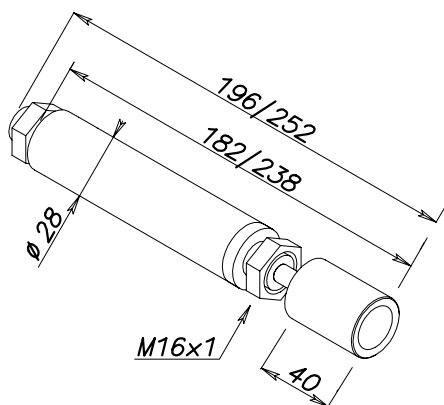
65000
65000SV

LONG HYDRAULIC SHOCK ABSORBER

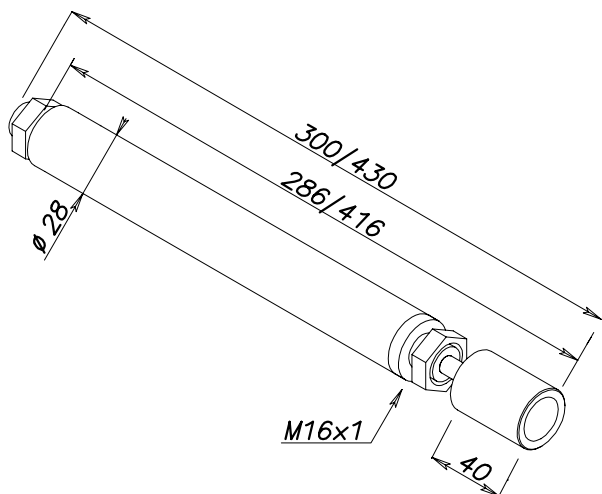
Galvanized steel cylindrical body
Diameter of the body and magnet: 28 mm
Minimum total length including magnet: 300 mm
Total length in maximum extension: 430 mm
Stroke: 130 mm
Hydraulic shock absorbing system
Adjustment of the hardness of the shock absorber
Fixing through threaded terminals M 16 x 1
Safety valve to release the brake fluid in the case of fire and to prevent the spontaneous reset of the stem by thermal expansion of the liquid (only Art. 65001)
With safety valve
Without safety valve
Use: closure impact shock absorber for sliding fire doors with counterweights



65001
65001SV

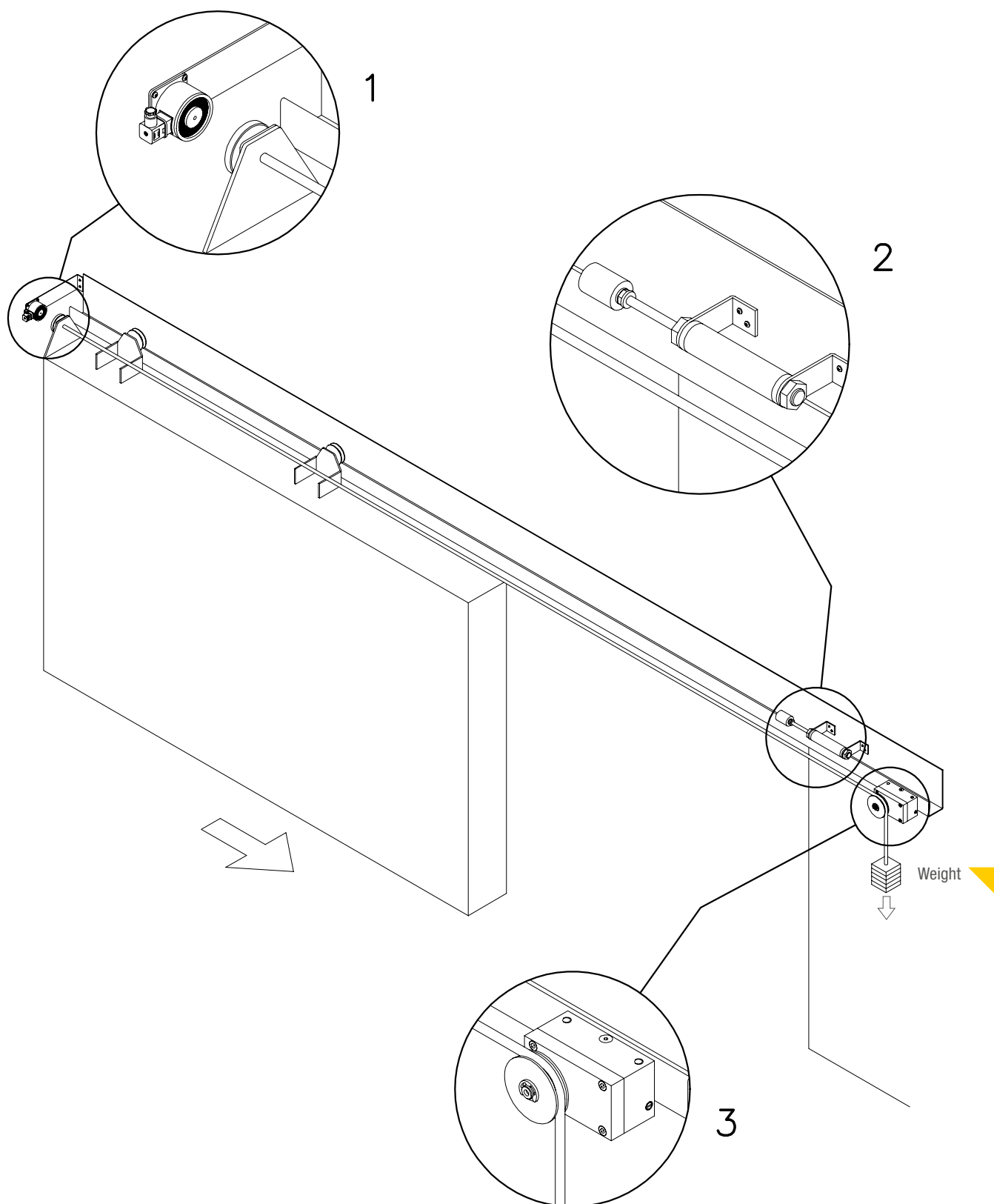


65000 Series



65001 Series



**LEGENDA**

- 1 Door retainer
- 2 Shock absorber
- 3 Hydraulic damper



Art.

Description

52002

SINGLE ZONE FIRE ALARM PANEL

Box in beige ABS

Dimensions (mm): 240 x 150 x 48

Operating voltage:

1Primary, 230 Vac 50-60Hz mains

2Auxiliary provided by 2 12Vdc 1.1/1.3 Ah batteries (item 00112 compulsory and sold separately) See page 63

Operational zones: single

Main panel with LED to indicate operational status of the panel with the following displays:

- fire alarm
- mains power/power failure
- auxiliary power/power failure (battery)
- panel general fault
- detector(s) line fault
- remote alarm activation call point(s) line fault
- manual out of order status of the panel
- sounder line fault
- electromagnets power status
- system fault

Manual out of order push button of the sounder line and the call point and detector lines;

Alarm conditions, fault or out of order reset push button

Key switch for access to the panel's Level 2 functions

Inputs (on terminal block):

Heat and smoke detector(s) line (up to 8 units, compulsory, sold separately and EN54-5 (heat) / EN54-7 (smoke) certified, Art. 05203A or 05204A) See page 64

Remote alarm activation call point(s) line (up to 5 units, min. 2 compulsory, sold separately and EN54-11 certified Art. 05110R) See page 60

Remote manual electromagnetic release button(s) line

External alarm buzzer silencing/reactivation push button following alarm condition (Art. 05115) See page. 64

Outputs (on terminal block):

Electromagnets line (up to 4 - 24 Vdc - Max. 300 mA totals)

Output for connection of up to 2 external sounders (additional electronic sounder compulsory, sold separately and EN54-3 certified, Art. 05207) operating in parallel to the internal sounder of the panel. See page 64

1 relay output on COM./N.O./N.C contacts (2 A) for external indication of out of order/fault status of the panel

Other features:

Signalling of the presence/absence of mains power

Signalling of the presence/absence of auxiliary power (battery)

Battery status monitoring

Silencing of panel alarm signalling

Reactivation of alarm signalling after a new alarm signal from any of the detection devices

Possibility of placing the panel out of service manually for system maintenance

Identification and signalling (visual and acoustic) of the presence of detector and remote fire alarm activation call point lines

Possibility of delayed power cut to the electromagnets

Compliance: EN54-2 (panel) and EN54-4 (power supply)

CERTIFICATO DI CONFORMITA' CE

0051 - CPD - 0264

In conformità al DPR n. 380/01, come modificato dal DPR n. 488/01, attuazione della Direttiva 89/100/CEE relativa ai prodotti di costruzione (Direttiva Prodotti da Costruzione - CPD), come modificata dalla Direttiva 93/68/CEE, si dichiara che il prodotto da costruzione

CENTRALE DI CONTROLLO E DI SEGNALAZIONE PER SISTEMI DI RIVELAZIONE E DI SEGNALAZIONE D'INCENDIO PER EDIFICI CON ALIMENTATORE INTEGRATO

Designazione: 52002

introdotta sul mercato da:

OPERA S.R.L.

VIA PORTOGALLO 42

41122 MOCCENA MO

e prodotto nella Fabbrica:

P.L.00001

è sottoposto dal Produttore ad un controllo della produzione di fabbrica e ad ulteriori prove su campioni prelevati in fabbrica in accordo con quanto prescritto nei piani di prova.

Per detto prodotto, IMQ ha eseguito le prove di tipo (model GT) per le particolari caratteristiche del prodotto nonché l'ispezione iniziale della fabbrica e del Controllo del Processo di Fabbrica (CPC) ad integrazione della sorveglianza continua del sistema Controllo del Processo di Fabbrica (CPC).

Questo Certificato attesta che tutte le prescrizioni relative all'informazione di conformità ed alle prescrizioni tecniche del Regolamento CE, nella misura

EN 54-2:1997+A1:2006

EN 54-4:1997+A1:2002+A2:2006

vengono applicate e che il prodotto soddisfa i suddetti requisiti richiesti.

Questo Certificato è stato emesso per la prima volta in data 2010-04-02 ed rimane valido fino a che le condizioni previste nella presente attestazione siano state rispettate e la fabbricazione del prodotto avvenga l'organizzazione stessa del Controllo del Processo di Fabbrica (CPC) applicata, vengono rispettate e non significativamente.

IMQ
Direttore Tecnico CPC
Dip. V. Baggio

Marmo: 2014-08-20

Questo Certificato è rilasciato dall'IMQ S.p.A. quale organismo notificato per la direttiva 89/100/CEE, il numero identificativo IMQ02 S.p.A. quale organismo notificato è 0011.

Mar. 1993

Art.	Description
------	-------------

NEW



05203A

DUAL HEAT AND SMOKE DETECTOR

Container in white ABS
 Dimensions (mm): 100 diameter x 52 height
 Operating voltage : 24 Vdc (10 – 30 Vdc)
 Absorption in standby 67 microA @ 24Vdc/ in alarm: 25 mA
 Operating temperature: - 20 to + 70 °C
 Operational technology: optical, heat
 Supplementary detector complete with base for ceiling mount, can be connected to article 52002

Compliance: EN54-7 (smoke)**Use:** this dual heat detector activates alarm condition in case of smoke detection or heat detection

ART. + BRA

On demand: relay base for connection with other systems

NEW



05204A

HEAT RATE OF RISE DETECTOR

Container in white colour plastic material
 Dimensions (mm): 100 diameter x 47 height
 Operating voltage : 24 Vdc (10 – 30 Vdc)
 Absorption in standby 55 mA / in alarm: 25 mA
 Operational technology: heat rate of rise with trigger for increases higher than 30°C per minute.
 Operating temperature: - 20 to + 70 °C
 Supplementary detector complete with base for ceiling mount, can be connected to article 52002

Compliance: EN54-5 (heat)**Use:** this heat rate of rise detector triggers an alarm condition in case of detection of a rapid rise in temperature

ART. + BRA

On demand: relay base for connection with other systems

05206A

TEST SPRAY FOR SMOKE DETECTORS

Spray bottle to check correct operation of the smoke detectors Art. 05203

05207

ELECTRONIC SOUNDER

Container in red colour plastic material
 Dimensions (mm): 93 diameter x 63 height
 Operating voltage: 12 / 24 Vdc - 15 mA
 Sound power: Max 114 dB @ 24 Vdc
 Working temperature -25° +70° C
 IP rating: P54
 32 tones selectable by internal dip switches.

Compliance: EN54-3**Use:** electronic alarm to be used with single zone panel 52002

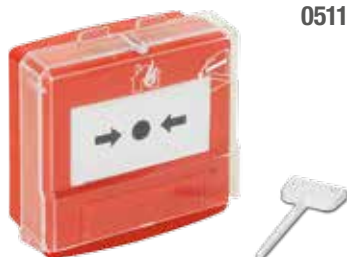
05115

RELEASE/RESET PUSH BUTTON

Box in grey colour plastic material for wall mount
 Dimensions: mm 81x67x55
 N.O / N.C push button contact

Use: push button for release of the retainer electromagnets or for silencing reset of the fire control panel Ref. 52002

Art.	Description
------	-------------



05110R

CALL POINT FOR ALARM ACTIVATION WITH PRESSURE, WITH MANUAL RESET

ABS box

Dimensions: 99 x 95 x 43 mm

C./N.A./N.C. internal exchange contact

Manual reset of the contact

Degree of protection: IP41

Transparent Plexiglas cover for the protection

of the activation button of the case

Red box (for the connection to fire prevention systems)

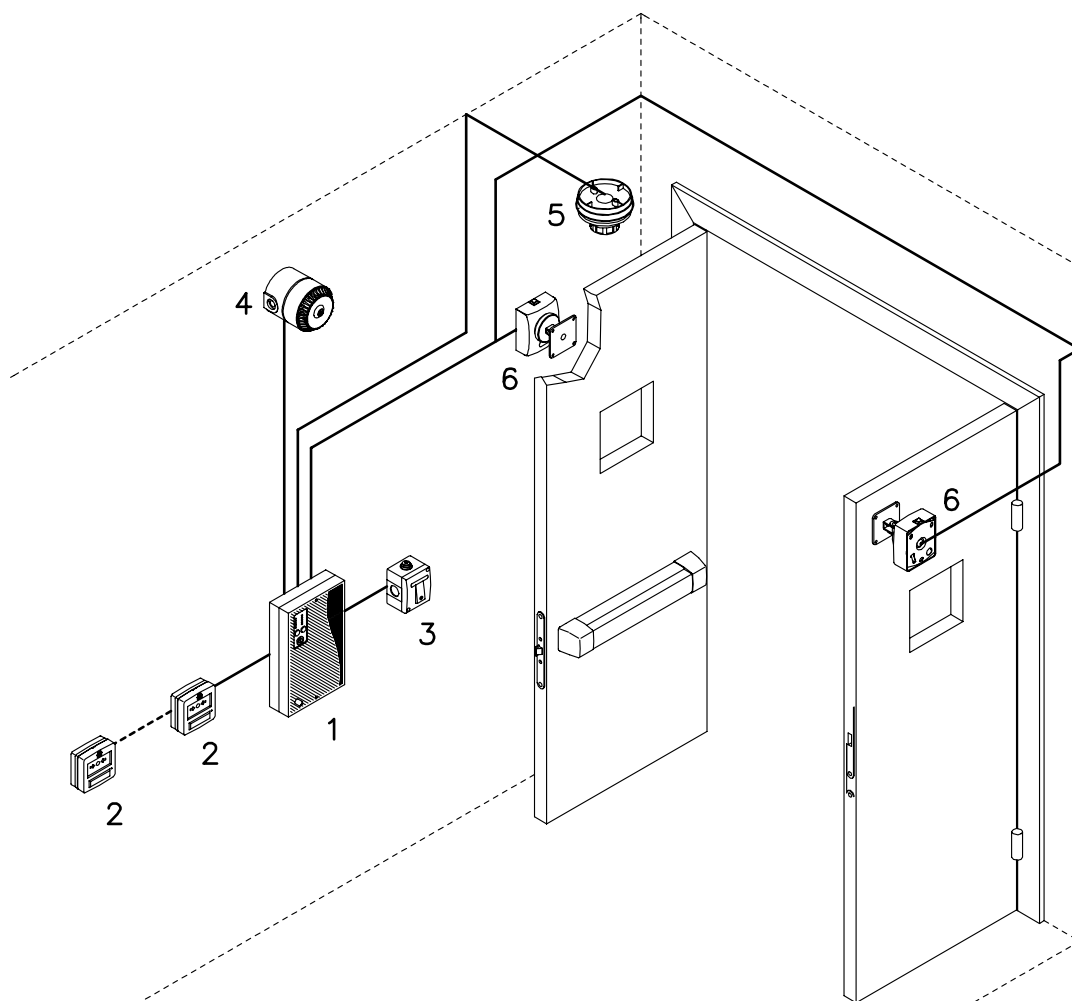
Use: pressure on the plastic front panel plate activates the switching of the electrical contact**Compliance:** EN54-11 (only Art. 05110R)

00112

BATTERIES

12 Vdc rechargeable lead battery

Power: 1.2 A for Art. 52002

**LEGENDA**

- 1 Single zone controller
- 2 Activation switches
- 3 Silence switch
- 4 Alarm
- 5 Detector
- 6 Electromagnets





SMART TRIM

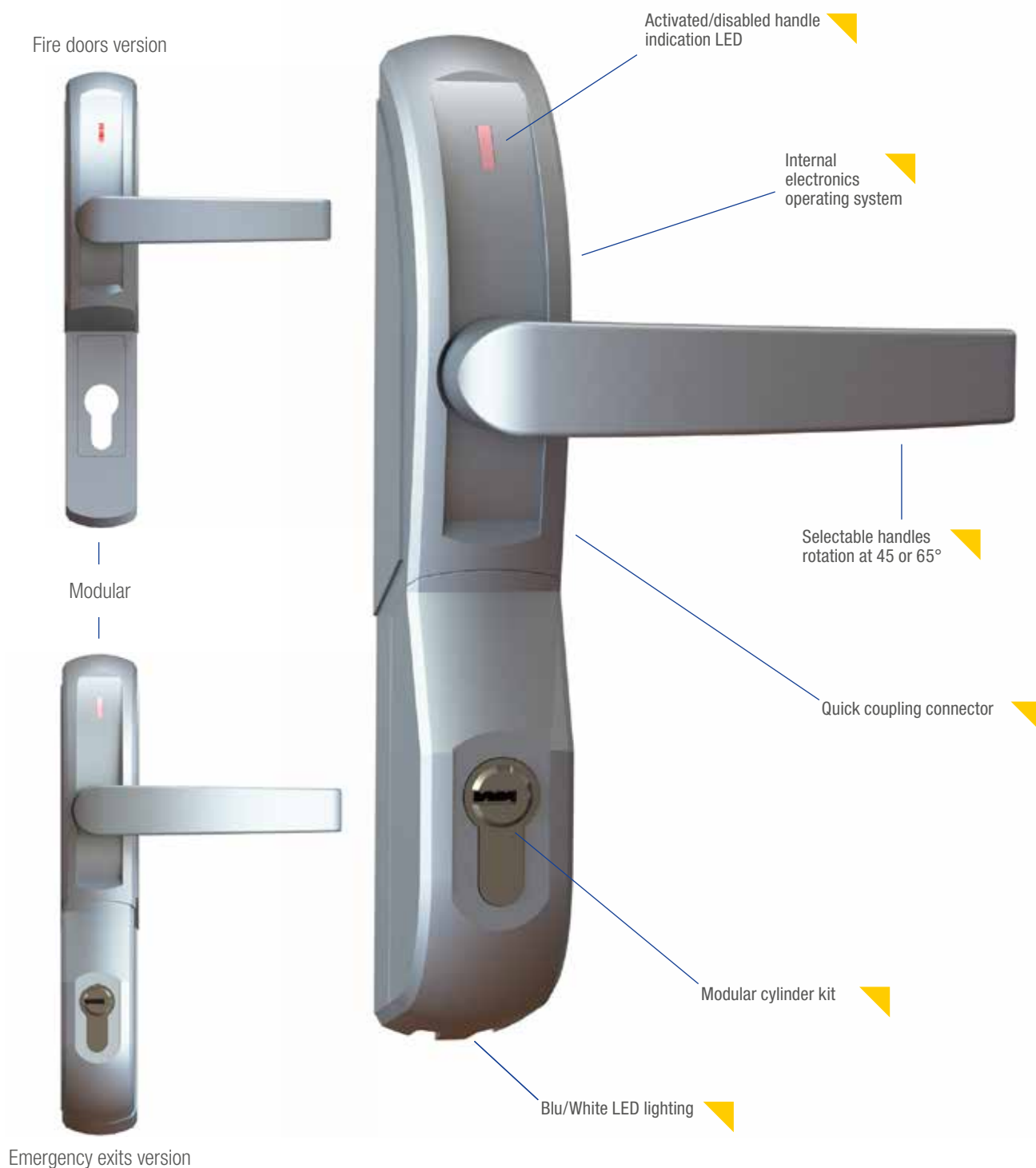
- ▶ ELECTRONIC HANDLE FOR FIRE DOORS AND EMERGENCY EXITS
- ▶ TO BE MATCHED WITH ALL FIRE DOORS LOCKS
- ▶ CAN BE MOUNTED ON NARROW METAL FRAMES
- ▶ ELECTRONICS CONTROL UNIT WITH INTERNAL MICROPROCESSOR
- ▶ OPTIC AND ACOUSTIC INTEGRATED SIGNALLING





SMART TRIM

www.opera-italy.com



PLUS

- ▶ Elegant design in mat chrome satin finish
- ▶ To be matched with rim type panic bars
- ▶ Internal electronics with micro switch
- ▶ Blue/White LED for floor lighting
- ▶ Power 12/24 Vac/dc
- ▶ Adjustable timer
- ▶ Activated bar signalling contact





**ELECTRIC HANDLE
FOR MORTICE LOCKS**

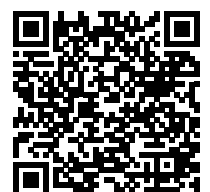


**ELECTRIC HANDLE
FOR RIM PANIC BARS**



PLUS EXAMPLE

- ▶ Version for fire doors
- ▶ Version for panic bars
- ▶ Opening by internal button
- ▶ To be matched with intercom and access control systems



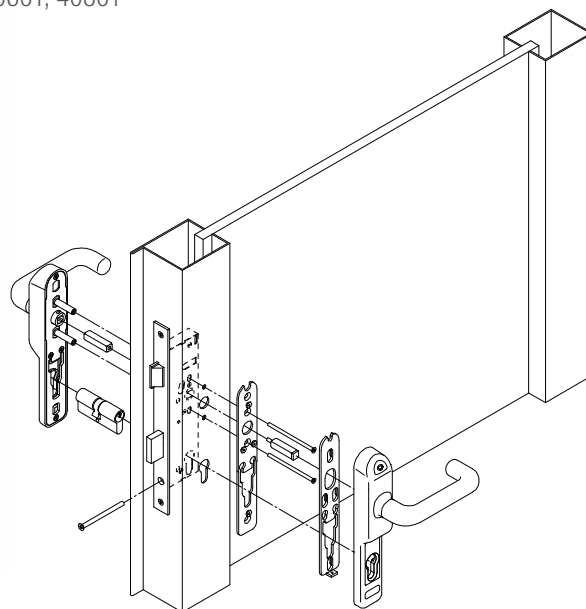
ELECTRICALLY OPERATED HANDLES SMART TRIM SERIES

Art.	Description
------	-------------

Art. + DM

DOUBLE HANDLE VERSION

(Ex. 40800DM) Electric handle with fixing plate for mounting two electric handles on both side of the same door (See drawing below). This unit must be paired with a standard electric handle 40600, 40800, 40601, 40801



Double handle application
Art. 40800DM + 40800

00406

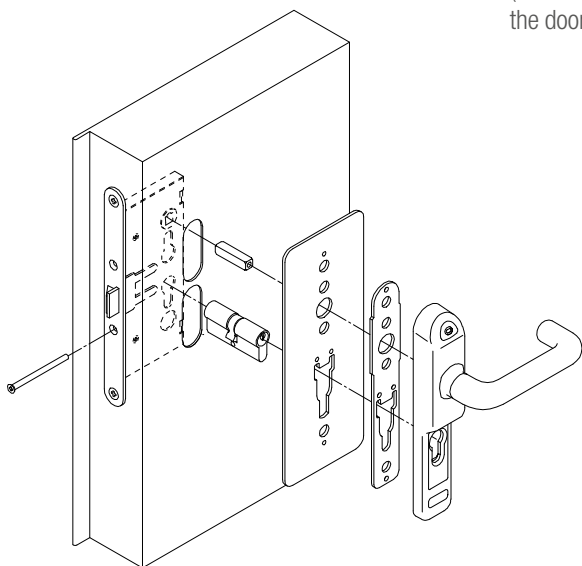
FIXING PLATE FOR ELECTRICALLY OPERATED HANDLE

Body in black painted steel

Dimensions (mm): 260 x 100 x 3

Fixing to the door by means of the electric handle itself without having to drill additional holes

Use: the plate base is a supplementary accessory which can be combined with the electric handle in cases the surface contact needs to be increased (when the fixing of the electric handle tends to crush the structure of the door itself)



Fixing under-plate item 00406



distance between cylinder
and handle 72mm



Distance between cylinder
and handle 92mm



Full plate





Matt chrome



White



Black

Art.

Description

ELECTRICALLY OPERATED HANDLE**For locks for full metal and glass fire proof doors**

Brushed metal body and handle

Case-hardened steel internal mechanisms

Dimensions: mm 234 x 48,5 x 38, handle height mm 84

Distance between cylinder and handle mm 72 (on demand 85mm, 92mm or full blank with no hole)

Handle panel mm 9 (on request mm 8)

Mounting on the door, no additional holes required

Selectable handle panel rotation 45° or 60°

Power supply 12/ Vac/dc – 24Vdc

Absorbed current: at 12V – 700 mA peak/ 500 mA holding
at 24V – 300 mA peak/200 mA holding

Electronic opening holder

Red LED (handle disabled for 40610 version) and green (handle enabled for 40810 version)

VERSION WITHOUT CLOSING TIME DELAY**Use:** replacement of traditional mechanical handle mounted outside door.

The handle, normally free turning, can be enabled by de-energizing (P/N 40610 version) or energizing (P/N 40810 version) through a button contact or access control system.

Action is limited to the duration of the impulse.

40610
40610N
40610B40810
40810N
40810BFail safe – enabled with no power – Matt chrome platedFail safe – enabled with no power – Black painted (RAL 9005)Fail safe – enabled with no power – White painted (RAL 9010)Fail secure – disabled with no power – Matt chrome platedFail secure – disabled with no power – Black painted (RAL 9005)Fail secure – disabled with no power – White painted (RAL 9010)**VERSION WITH CLOSING TIME DELAY**

Additional features over the previous version:

Internal timer adjustable from 0-60 s (optional)

Open collector output can be coupled with a micro external relay to report handle enabled (see P/N 05258)

Two colours red/green LED signalling the handle status enabled or disabled
Blue LED to light the bottom of door**Use:** replacement of traditional mechanical handle mounted outside door.

The handle, normally free turning, can be enabled by closing a NO button contact or access control system. In this version power supply is always on

40611
40611N
40611B40811
40811N
40811BFail safe – enabled with no power – Matt chrome platedFail safe – enabled with no power – Black painted (RAL 9005)Fail safe – enabled with no power – White painted (RAL 9010)Fail secure – disabled with no power – Matt chrome platedFail secure – disabled with no power – Black painted (RAL 9005)Fail secure – disabled with no power – White painted (RAL 9010)**Note:** the use of split frames is required when fitting the electric handle to a panic bar through the mortice lock

Art. + MEC

Mechanical handle (ex. art.40610MEC)

ELECTRICALLY OPERATED HANDLES SMART TRIM SERIES

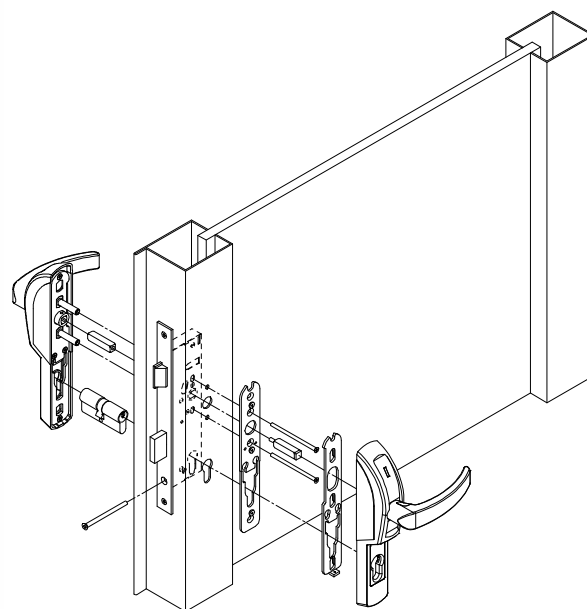
NEW

Art.	Description	€
------	-------------	---

Art. + DM

DOUBLE ELECTRONIC HANDLE APPLICATION

(I.g. 40810DM) Electric handle with fixing plate for mounting two electric handles on both side of the same door. See drawing below.



Double handle fixing
Item 40810DM + 40810

DISTANCE BETWEEN CYLINDER AND HANDLE

72 mm standard



85 mm on demand



92 mm on demand



Full plate on demand



ELECTRICALLY OPERATED HANDLES FOR PANIC BARS SMART TRIM SERIES



Art.	Description
------	-------------

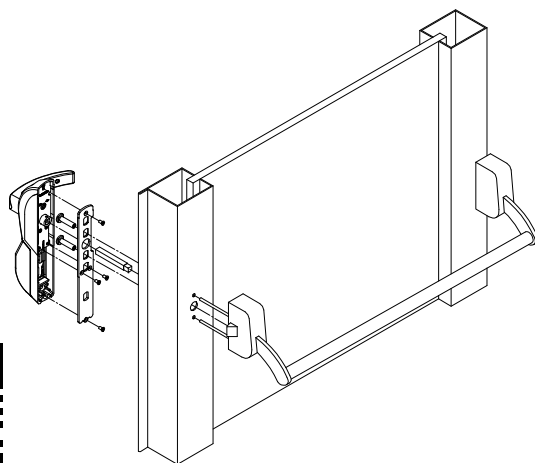
00428

FIXING PLATE FOR MOUNTING THE ELECTRICALLY OPERATED HANDLE WITH RIM TYPE PANIC BAR

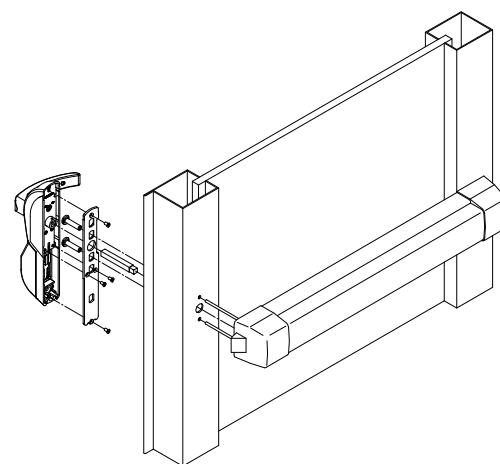
Galvanized steel made.

See web page for panic bar compatibility – just view the on side QR Code with your smartphone app.

Use: the fixing plate allows use of handles and electric handles 40620 – 40621 - 40820 - 40821 with different brands of panic bars.

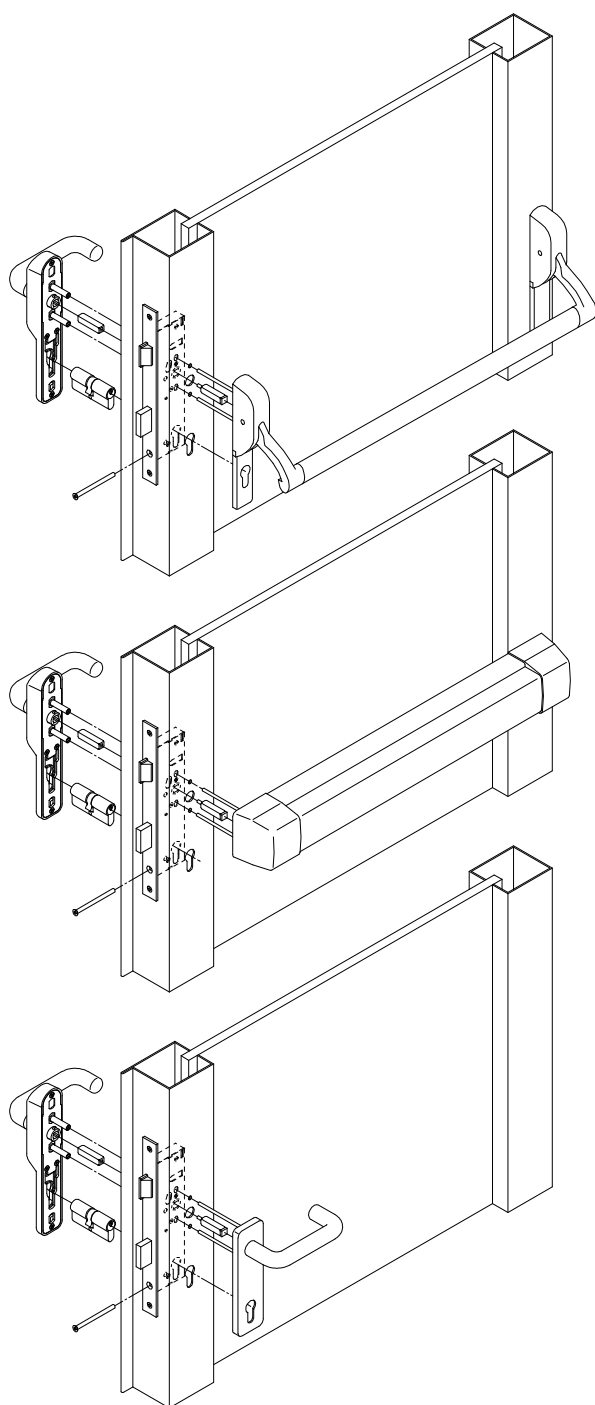
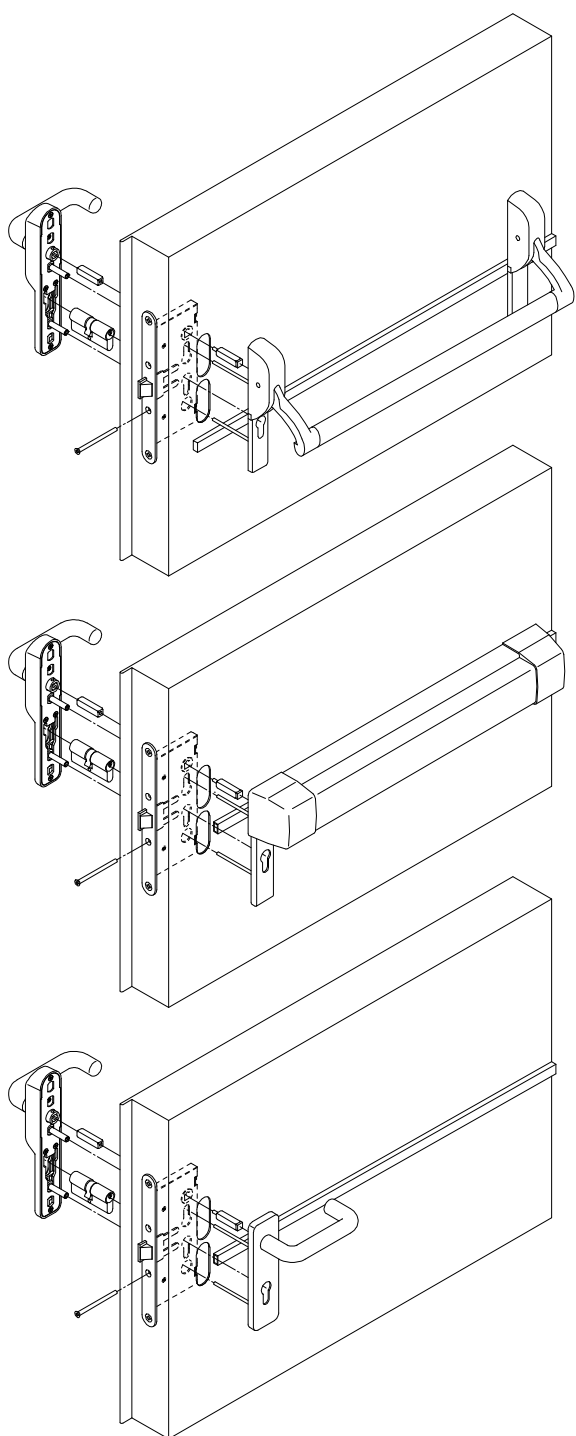


Electric handle with rim panic bar

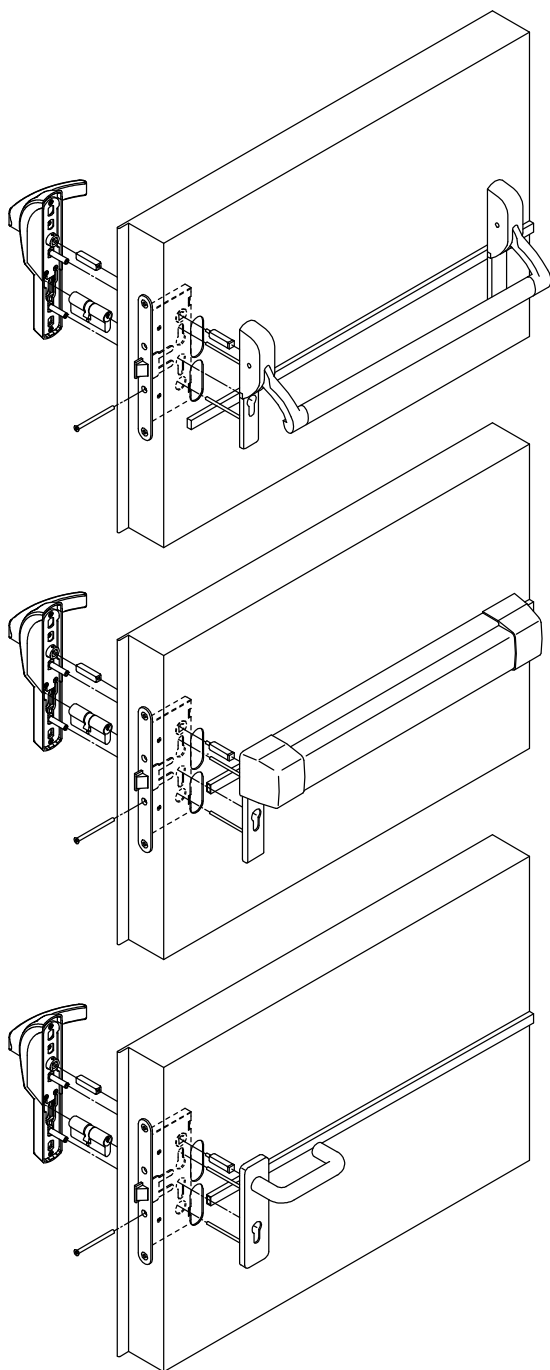


Electric handle with rim touch bar

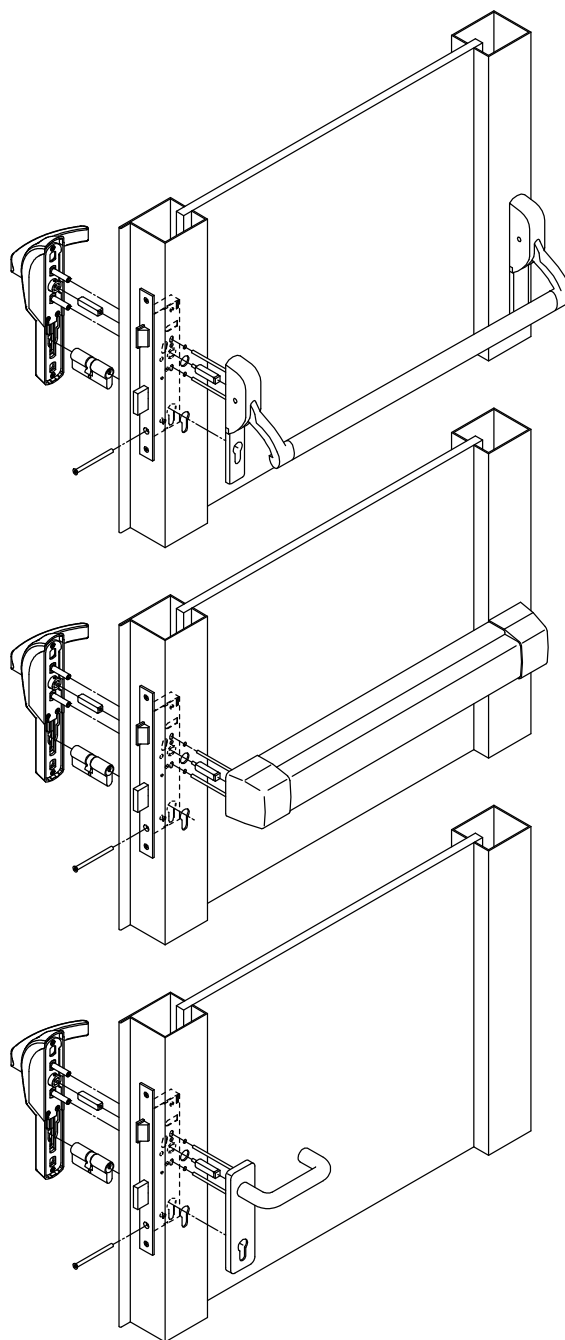


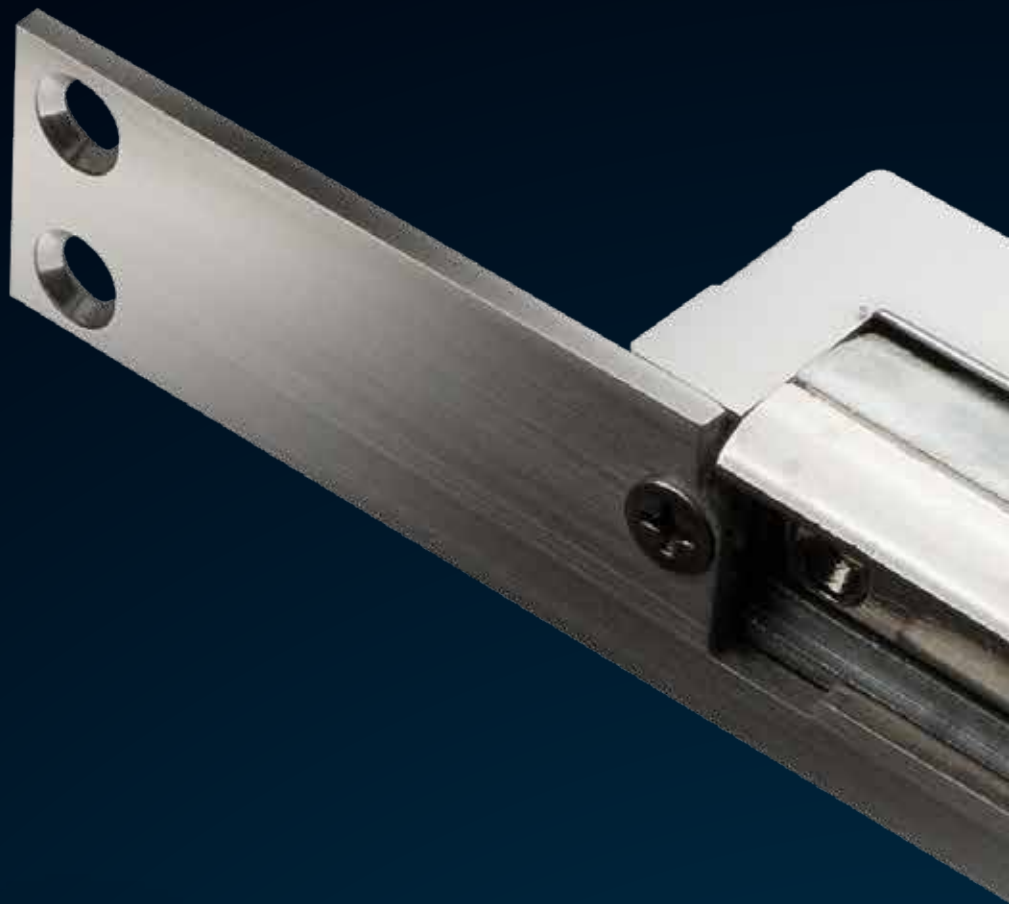


ELECTRIC HANDLE ON FULL METAL FIRE DOOR



ELECTRIC HANDLE ON GLAZED DOOR

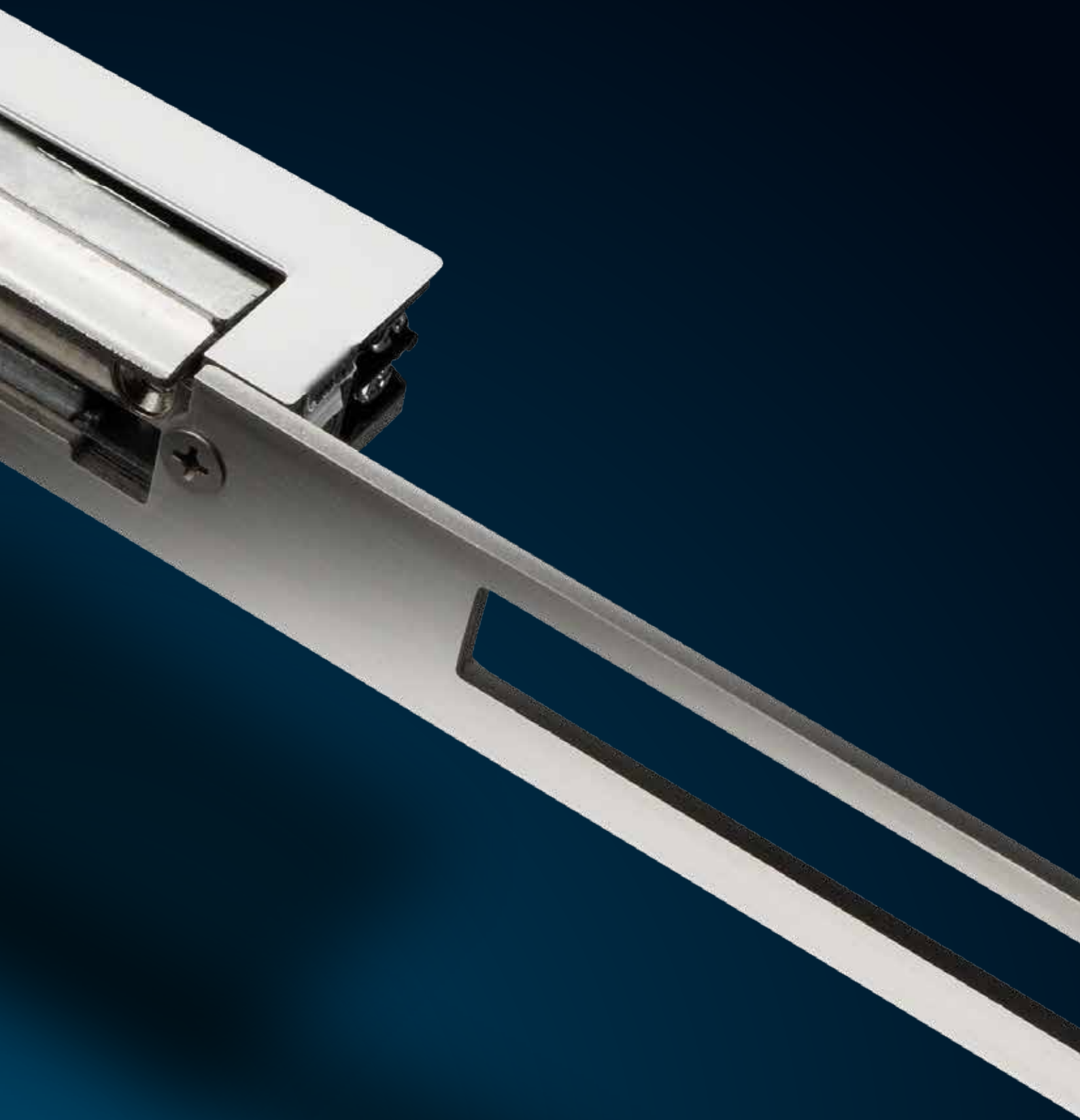


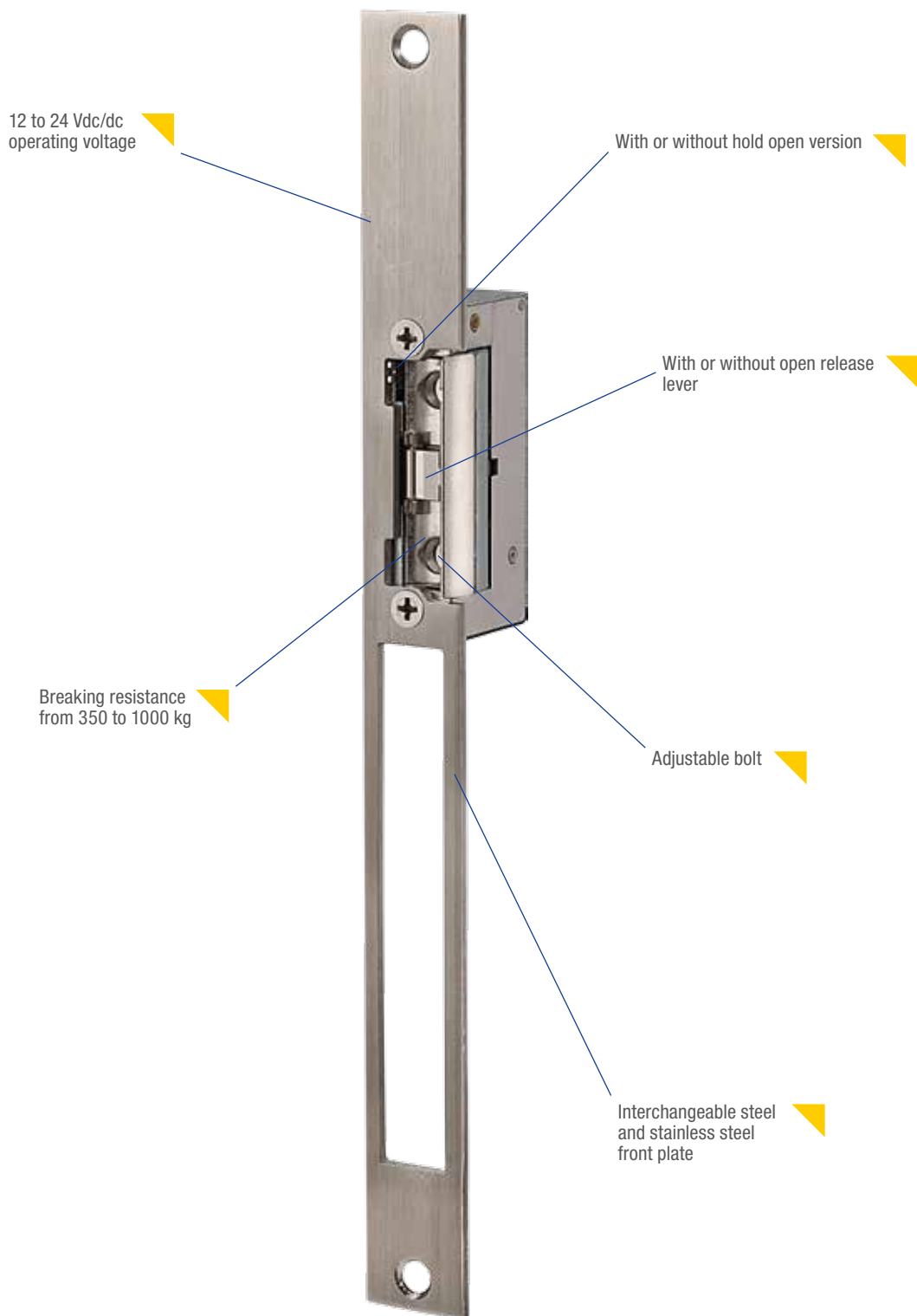


IOMNIA

- ▶ SECURITY ELECTRIC STRIKES FOR WOODEN OR METAL DOORS
- ▶ RADIAL AND OMNIA 16 SERIES WITH 16 MM REDUCED GAUGE
- ▶ EXIT SERIE FOR PANIC BARS
- ▶ BLINDO SERIE FOR INTERLOCKED AND REINFORCED DOORS
- ▶ GLASS SERIE FOR CRYSTAL DOORS







PLUS

- ▶ Ideal to electrify door openings with mechanical locks
- ▶ Breaking resistance from 350 to 1000 kg
- ▶ Fail safe or fail secure versions
- ▶ Low consumption versions to be matched with access control systems
- ▶ Versions with door status micro switch
- ▶ Wide range of front plates and finishes



OPENING SYSTEM



CLOSED



OPEN


CRYSTAL DOOR EXAMPLE


- ▶ Glass electric strike for crystal doors
- ▶ Door block without lock
- ▶ Fail safe or fail secure versions
- ▶ For crystal thickness up to 12 mm
- ▶ Stainless steel front plate
- ▶ To be matched with access control systems




Common mechanical characteristics: Body and latch block in anti-corrosive metal, symmetrical - reversible. Destruction resisting power: 350 Kg. Horizontally adjustable latch block. **Provided without striking plate (to be ordered– see pages 94, 95 and 98).**

Use: electric strike for aluminium or wood doors with latch or deadbolt locks.


Art.	Description
 31012 31012DC 31024DC	ELECTRIC STRIKE Fail locked Without hold open function (opening limited to electrical impulse duration)
	<u>Operating voltage: 8 -12 Vac - 1.000 mA - without open release lever</u> <u>Operating voltage: 12 Vdc - 300 mA - without open release lever</u> <u>Operating voltage: 24 Vdc - 170 Ma - without open release lever</u>
	<u>Operating voltage: 8 -12 Vac - 1.000 mA - with open release lever</u> <u>Operating voltage: 12 Vdc - 300 mA - with open release lever</u> <u>Operating voltage: 24 Vdc - 170 Ma - with open release lever</u>

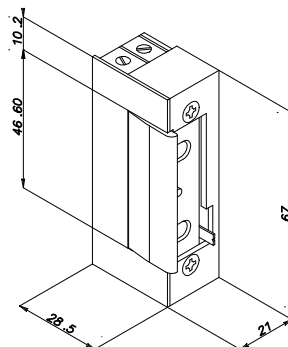
 31212 31212DC 31224DC	ELECTRIC STRIKE Fail locked With hold open function (opening with electrical impulse) Relocking after door opening
	<u>Operating voltage: 8 -12 Vac – 1.000 mA - without open release lever</u> <u>Operating voltage: 12 Vdc – 300 mA - without open release lever</u> <u>Operating voltage: 24 Vdc – 170 mA - without open release lever</u>
	<u>Operating voltage: 8 -12 Vac – 1.000 mA - with open release lever</u> <u>Operating voltage: 12 Vdc – 300 mA - with open release lever</u> <u>Operating voltage: 24 Vdc – 170 mA - with open release lever</u>

 31212L 31212LDC 31224LDC	ELECTRIC STRIKE Fail locked With hold open function (opening with electrical impulse) Relocking after door opening
	<u>Operating voltage: 8 -12 Vac – 1.000 mA - without open release lever</u> <u>Operating voltage: 12 Vdc – 300 mA - without open release lever</u> <u>Operating voltage: 24 Vdc – 170 mA - without open release lever</u>
	<u>Operating voltage: 8 -12 Vac – 1.000 mA - with open release lever</u> <u>Operating voltage: 12 Vdc – 300 mA - with open release lever</u> <u>Operating voltage: 24 Vdc – 170 mA - with open release lever</u>



Lever hold open function

 31412A 31512A	AUTOMATIC ELECTRIC STRIKE WITH HOLD OPEN FUNCTION BUILT IN Fail locked. Operating voltage: 8 -12 Vac - Current: 1,000 mA With built in hold open function without reload piston (opening with electrical impulse) Relocking after door opening
	<u>Without open release lever</u> <u>With open release lever</u>



Common mechanical characteristics: Body and latch block in anti-corrosive metal, symmetrical - reversible. Destruction resisting power: 350 Kg. Horizontally adjustable latch block . **Power supply : 10-24Vac-dc**

Provided without striking plate (to be ordered separately – see pages 94, 95 and 98).

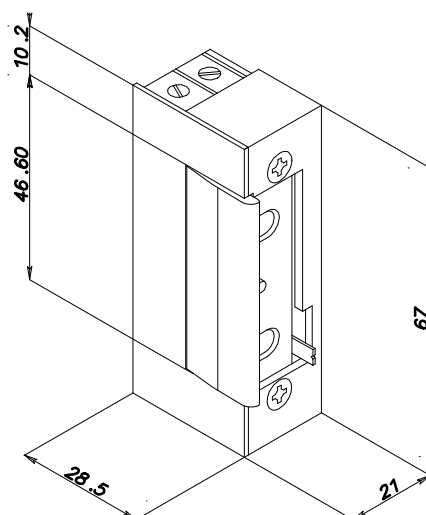
Use: electric strike for aluminium or wood doors with latch or deadbolt locks.



Art.	Description
	ELECTRIC STRIKE Fail locked Without hold open function (opening limited to electrical impulse duration) Power supply: 10-24 Vac/dc - 1000 mA Power consumption: 185 mA a 12 Vac (impulsive)/240 mA a 12 Vdc (continuous) 480 mA a 24 Vac (impulsive)/580 mA a 24 Vdc (impulsive)
31012UNI	<u>Without open release lever</u>
31112UNI	<u>With open release lever</u>







	ELECTRIC STRIKE Fail locked With hold open function (opening with electrical impulse) Relocking after door opening Power supply: 10-24 Vac/dc - 1000 mA Power consumption: 185 mA a 12 Vac (impulsive)/240 mA a 12 Vdc (continuous) 480 mA a 24 Vac (impulsive)/580 mA a 24 Vdc (impulsive)
31212UNI	<u>Without open release lever</u>
31312UNI	<u>With open release lever</u>



Common mechanical characteristics: Body and latch block in anti-corrosive metal, symmetrical – reversible. Destruction resisting power: 350 Kg. Horizontally adjustable latch block. **Without striking plate (to be ordered separately – see pages 94, 95 and 98).**

Use: electric strike for aluminium or wood doors with latch or deadbolt locks

Art.	Description
 <p data-bbox="419 427 539 454">31012DCPN</p>	<p data-bbox="595 427 1246 488">LOW CONSUMPTION ELECTRIC STRIKE FOR ACCESS CONTROL SYSTEMS</p> <p data-bbox="595 495 715 521">Fail locked</p> <p data-bbox="595 528 1161 555">Operating voltage: 12 Vac/dc - Current absorption: 250 mA</p> <p data-bbox="595 562 858 589">Internal anti-disturb varistor</p> <p data-bbox="595 595 1294 622">Without hold open function (opening limited to electrical impulse duration)</p> <p data-bbox="595 629 1321 656">Use: electric strike for aluminium or wood doors with latch or deadbolt locks</p> <p data-bbox="595 663 1126 689">Special <u>low current absorption</u> with anti-disturb varistor.</p> <p data-bbox="595 696 1241 723">Ideal for use with access control systems (i.e. : hotel badge readers)</p>
 <p data-bbox="419 887 523 913">31012DCF</p> <p data-bbox="419 954 496 981">31412F</p>	<p data-bbox="595 786 1294 846">ELECTRIC STRIKE WITH UP-LIFTED LATCH FOR ACCESS CONTROL SYSTEMS</p> <p data-bbox="595 853 715 880">Fail locked</p> <p data-bbox="595 887 1305 947"><u>Operating voltage: 12Vac/dc - 250mA - without hold open function - opening limited to electrical impulse duration - Internal anti-disturb varistor</u></p> <p data-bbox="595 954 1289 1014"><u>Operating voltage: 12Vac - 1000 mA - with internal hold open function - opening with electrical impulse - Relocking after door opening</u></p> <p data-bbox="595 1021 1297 1081">Use: electric strike for wood doors with deadlocked latch. It allows the complete action of the lock latch in order to activate the deadlocking.</p> <p data-bbox="595 1088 1297 1149">Special low current absorption with anti-disturb varistor. Ideal for use with access control systems (i.e.: hotel badge readers)</p>
<p data-bbox="108 1182 236 1249">NEW</p>  <p data-bbox="419 1182 512 1209">31012TD</p>	<p data-bbox="595 1182 991 1209">TEMPORISED ELECTRIC STRIKE</p> <p data-bbox="595 1216 715 1243">Fail locked</p> <p data-bbox="595 1249 1031 1276">Operating voltage :12 Vac - Current : 650 mA</p> <p data-bbox="595 1283 842 1310">Dimension 75x21x28 mm</p> <p data-bbox="595 1317 1161 1344">Without hold open function (opening with electrical impulse)</p> <p data-bbox="595 1350 871 1377">Relocking after door opening</p> <p data-bbox="595 1384 898 1411">Opening time from 5 to 10 secs</p> <p data-bbox="595 1417 1313 1444">After electrical impulse, door re-locks even if not moved, after few seconds.</p>
 <p data-bbox="419 1704 485 1731">31812</p> <p data-bbox="419 1738 485 1765">31824</p>	<p data-bbox="595 1563 1026 1590">FAIL UNLOCKED ELECTRIC STRIKE</p> <p data-bbox="595 1597 743 1624">Fail unlocked</p> <p data-bbox="595 1630 919 1657">Horizontally adjustable latch block</p> <p data-bbox="595 1664 1046 1691">Opening limited to the duration of lack of power</p> <p data-bbox="595 1704 1026 1731"><u>Operating voltage: 12 Vdc - Current: 350 mA</u></p> <p data-bbox="595 1738 1026 1765"><u>Operating voltage: 24 Vdc - Current: 120 mA</u></p> <div data-bbox="587 1816 1193 2136"> </div>



ELECTRIC STRIKES OMNIA RADIAL SLIDE SERIES

Common mechanical characteristics: Body and latch block in anti-corrosive metal, symmetrical – reversible.

Destruction resisting power: 500 Kg. Latch block horizontally adjustable. **Without striking plate (to be ordered separately – see page 96)**

Use: electric strike for aluminium or wood doors with latch or deadbolt locks.

Operation: in this radial electric strike the door latch bolt does not pivot out during opening but rather moves into the electric strike housing. This means that no cut needs to be made in the door post for the movement of the latch bolt during opening.



Art.

Description

ELECTRIC STRIKE

Operating voltage: 8 -12 Vac - 1.000 mA

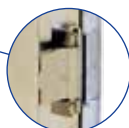
Fail locked

Without hold open function (opening limited to electrical impulse duration)

32012

Without open release lever

32112

With open release lever

Lever hold open function

32212

ELECTRIC STRIKE

Operating voltage: 8 -12 Vac - 1.000 mA

Fail locked

With hold open function (opening with electrical impulse)

Relocking after door opening

32312

Without open release leverWith open release lever

32812

ELECTRIC STRIKE**Fail Safe - open with no power**

32824

Operating voltage: 12Vdc - consumption 220 mAOperating voltage: 24Vdc - consumption 140 mA

35412

AUTOMATIC ELECTRIC STRIKE WITH HOUSED IN HOLD OPEN FUNCTION

Operating voltage: 8 -12 Vac – 1.000 mA

Fail locked

With hold open function (opening with electrical impulse)

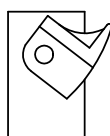
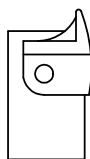
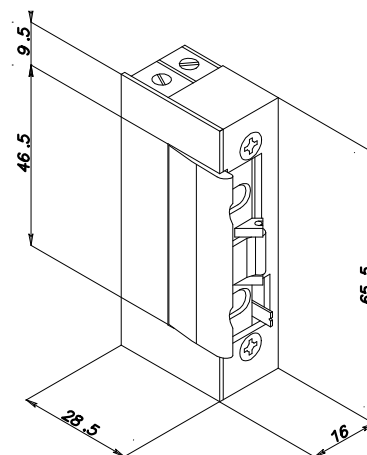
Relocking after door opening

35512

Without open release leverWith open release lever

Opening encumbrance

No opening encumbrance

TRADITIONAL
ELECTRIC
STRIKERADIAL
ELECTRIC
STRIKE

www.opera-italy.com

Common mechanical characteristics: Body and latch block in anti-corrosive metal, symmetrical – reversible. Destruction resisting power: 500 Kg. Latch block horizontally adjustable. **Without striking plate (to be ordered separately – see page 94)**

Use: electric strike for aluminium or wood doors with latch or deadbolt locks.

Operation: in this radial electric strike the door latch bolt does not pivot out during opening but rather moves into the electric strike housing. This means that no cut needs to be made in the door post for the movement of the latch bolt during opening.

NEW: guaranteed opening despite 20 Kg side pressure.

NEW



Art.	Description
	ELECTRIC STRIKE - PRELOAD Operating voltage: 12/24 Vdc Consumption: 300mA at 12Vdc / 600 mA at 24Vdc Fail locked Without hold open function (opening limited to electrical impulse duration)
32012PL	<u>Without open release lever</u>
32112PL	<u>With open release lever</u>

NEW

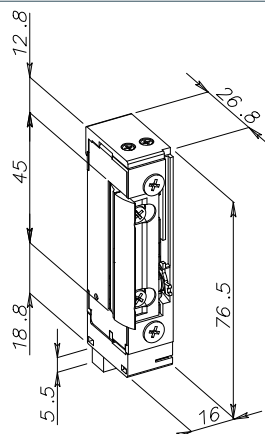


Art.	Description
	ELECTRIC STRIKE - PRELOAD Operating voltage: 12/12 Vdc Consumption: 300mA at 12Vdc / 600 mA at 24Vdc Fail locked Without hold open function (opening with electrical impulse) Relocking after door opening Monitored latch position micro-switch C./N.O./N.C.
32012PLM	<u>Without open release lever</u>
32112PLM	<u>With open release lever</u>

NEW



Art.	Description
	ELECTRIC STRIKE - PRELOAD Operating voltage: 12/24 Vdc Consumption: 300mA at 12Vdc / 600 mA at 24Vdc Fail locked With hold open function (opening limited to electrical impulse duration)
32212PL	<u>Without open release lever</u>
32312PL	<u>With open release lever</u>



Common mechanical characteristics:

Body and latch block in anti-corrosive metal, symmetrical – reversible.

Destruction resisting power: 350 Kg. Horizontally adjustable latch block. **Without striking plate (to be ordered separately – see page 96)**

Use: electric strike for PVC or wood doors with latch or deadbolt locks



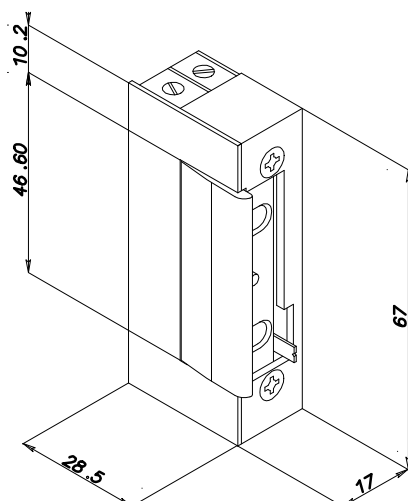
Art.	Description
	ELECTRIC STRIKE
	Fail locked
	Operating voltage: 8 -12 Vac - 1.000 mA
	Without hold open function (opening limited to electrical impulse duration)
33012	<u>Without open release lever</u>
33112	<u>With open release lever</u>



	ELECTRIC STRIKE
	Fail locked
	Operating voltage: 8 -12 Vac - 1.000 mA
	Without hold open function (opening limited to electrical impulse duration)
33212	<u>Without open release lever</u>
33312	<u>With open release lever</u>



	AUTOMATIC ELECTRIC STRIKE
	Fail locked
	Operating voltage: 8 -12 Vac - 1.000 mA
	With internal hold open function (opening with electrical impulse)
	Relocking after door opening
33412	<u>Without open release lever</u>
33512	<u>With open release lever</u>




www.opera-italy.com


Common mechanical characteristics:

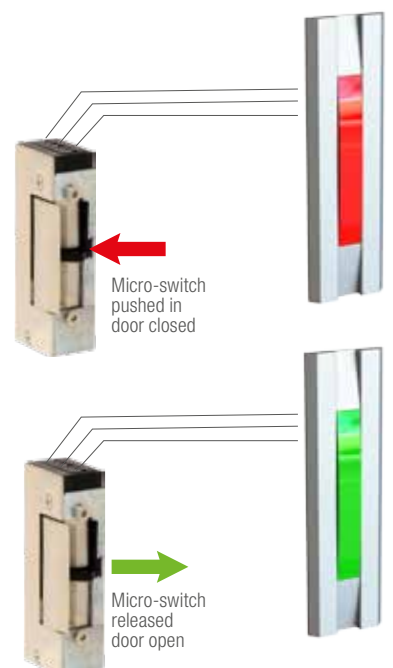
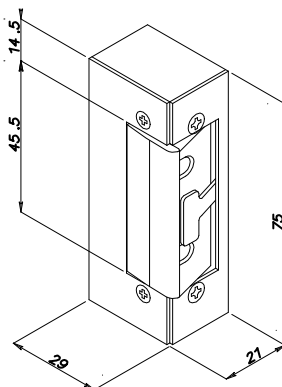
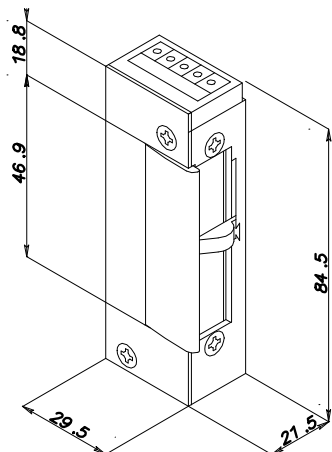
Body and latch block in anti-corrosive metal, **symmetrical** - reversible. Destruction resisting power: 1.000 Kg.

Without striking plate (to be ordered separately – see pages 94, 95 and 98)

Use: special electric strike for security doors for use with an access control system or interlocking doors

Art.	Description
	SECURITY ELECTRIC STRIKE Monitored latch position micro-switch C./N.O./N.C.
	Fail locked Opening limited to electrical impulse duration
	34602 <u>Operating voltage : 12 Vdc – 230 mA</u> 34604 <u>Operating voltage : 24Vdc – 170 mA</u>
	Fail safe Opening limited to the duration of the lack of power
34802 <u>Operating voltage : 12 Vdc – 300 mA</u> 34804 <u>Operating voltage : 24Vdc – 140 mA</u>	

	SECURITY ELECTRIC STRIKE Monitored latch position micro-switch C./N.O./N.C.
	Fail locked Opening limited to electrical impulse duration
	34622 <u>Operating voltage : 12 Vdc – 260 mA</u> 34624 <u>Operating voltage : 24Vdc – 120 mA</u>
	Fail safe Opening limited to the duration of the lack of power
34822 <u>Operating voltage : 12 Vdc – 200 mA</u> 34824 <u>Operating voltage : 24Vdc – 120 mA</u>	



SECURITY ELECTRIC STRIKES FOR PANIC BARS OMNIA EXIT SERIES

Common mechanical characteristics: Body in black painted metal. Latch block in metal, symmetrical - reversible. Destruction resisting power: 1,000 Kg. **Provided with n° 6 shims item 00360B**



Art.	Description
	SECURITY ELECTRIC STRIKE FOR SURFACE FIXING
	Fail locked
	Opening limited to electrical impulse duration
36012B	<u>Operating voltage: 8/12 Vac - 500 mA</u>
36012BM	<u>Operating voltage: 8/12 Vac / 500 mA - Monitored latch position micro-switch C./N.O./N.C.</u>
	Opening with electric pulse and relocking after door opening:
36412B	<u>Operating voltage: 8-12 Vac / 500 mA with internal hold open function</u>
ART. +CR	<u>Satin chrome finish</u>



	SECURITY ELECTRIC STRIKE FOR SURFACE FIXING
	Fail locked
	Opening limited to electrical impulse duration
36612B	<u>Operating voltage: 12 Vdc / 200 mA</u>
36624B	<u>Operating voltage: 24 Vdc / 100 mA</u>
36612BM	<u>Operating voltage: 12 Vdc / 200 mA with Monitored latch position micro-switch C./N.O./N.C.</u>
36624BM	<u>Operating voltage: 24 Vdc / 100 mA with Monitored latch position micro-switch C./N.O./N.C.</u>
ART. +CR	<u>Satin chrome finish</u>



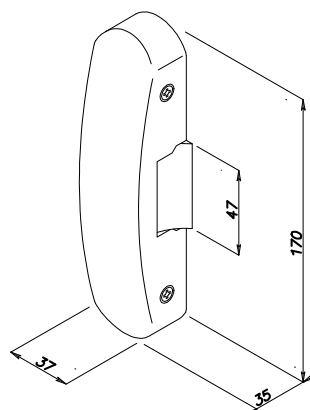
	IFAIL UNLOCKED ELECTRIC STRIKE FOR SURFACE FIXING
	Fail unlocked
	Opening limited to electrical impulse duration
36812B	<u>Operating voltage: 12 Vdc / 200 mA</u>
36824B	<u>Operating voltage: 24 Vdc / 100 mA</u>
36812BM	<u>Operating voltage: 12 Vdc / 200 mA with Monitored latch position micro-switch C./N.O./N.C.</u>
36824BM	<u>Operating voltage: 24 Vdc / 100 mA with Monitored latch position micro-switch C./N.O./N.C.</u>
ART. +CR	<u>Satin chrome finish</u>



	SHIMS FOR ELECTRIC STRIKE FOR SURFACE FIXING
	2 mm. shims, to compensate for height of the electric strike with the panic bar latch
00360B	<u>In Black ABS</u>
00360BG	<u>In Grey ABS (for version CR)</u>



Satin chrome finish







www.opera-italy.com




Common mechanical characteristics: Body and latch block in metal, asymmetrical (determine hand). Destruction resisting power: 700 Kg.
Without striking plate (to be ordered separately – See page 97)

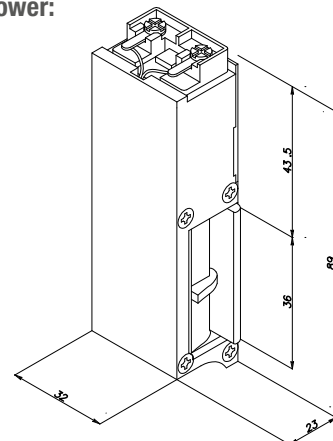
Use: electric strikes for armoured doors

See page 91 to set hand of the product

Art.	Description
	SECURITY ELECTRIC STRIKE Fail locked Opening limited to electrical impulse duration Operating voltage: 12 Vac - 1000 mA <u>Right hand</u> <u>Left hand</u>
	37012.1A 37012.2A
	Operating voltage: 12 Vac - 200 mA <u>Right hand</u> <u>Left hand</u>
	37612.1A 37612.2A
	Operating voltage: 12 Vac - 150 mA <u>Right hand</u> <u>Left hand</u>
	37624.1A 37624.2A

	AUTOMATIC SECURITY ELECTRIC STRIKE Fail locked Opening with electrical impulse. Relocking after door opening Operating voltage: 12 Vac - 1000 mA
	37212.1A 37212.2A
	<u>Right hand - with lever for hold open function</u> <u>Left hand - with lever for hold open function</u>
	37312.1A 37312.2A
	<u>Right hand - lever hold open function and mechanical unlocking</u> <u>Left hand - lever hold open function and mechanical unlocking</u>
	37412.1A 37412.2A
	<u>Right hand - with internal hold open function</u> <u>Left hand - with internal hold open function</u>
	37512.1A 37512.2A
	<u>Right hand - internal hold open function, mechanical unlocking</u> <u>Left hand - internal hold open function, mechanical unlocking</u>
	37512.1A 37512.2A

	FAIL UNLOCKED SECURITY ELECTRIC STRIKE Blocked with power Opening limited to the duration of lack of power Operating voltage 12 Vdc - 200 mA power:
	37812.1A 37812.2A
	<u>Right hand</u> <u>Left hand</u>
	37824.1A 37824.2A
	Operating voltage 24 Vdc - 150 mA power: <u>Right hand</u> <u>Left hand</u>
	37824.1A 37824.2A



SECURITY ELECTRIC STRIKES OMNIA BLINDO 1.000 SERIES

Common mechanical characteristics: Body and latch block in metal, asymmetrical (determine hand).

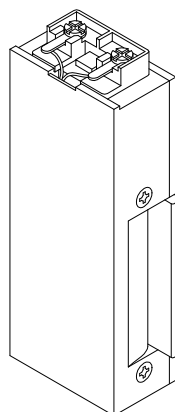
Destruction resisting power: 1,000 Kg. **Without striking plate (to be ordered separately – See page 94, 95 and 98)**

Use: electric strike for latch and deadbolt locks applied on gates exposed to precipitation

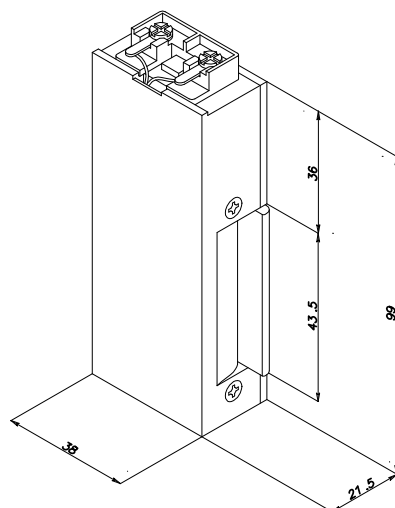
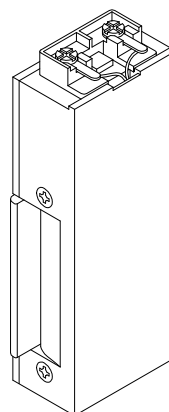


Art.	Description
	SECURITY ELECTRIC STRIKE
	Fail locked
	IP rating: IP56 (can operate outside)
	Without hold open function. Opening limited to electrical impulse duration
38012.1A	<u>Right hand - 12 Vac - 500 mA Power</u>
38012.2A	<u>Left hand - 12 Vac - 500 mA Power</u>
	Automatic with internal hold open function. Opening with electrical impulse. Relocking after door opening.
38412.1A	<u>Right hand - 12 Vac - 500 mA Power</u>
38412.2A	<u>Left hand - 12 Vac - 500 mA Power</u>
	On request:
38612.1/2A	<u>Security - 12 Vdc - 200 mA power:</u>
38624.1/2A	<u>Security - 24 Vdc - 150 mA power:</u>
38812.1/2A	<u>Anti-panic - 12 Vdc - 200 mA power:</u>
38824.1/2A	<u>Anti-panic - 24 Vdc - 150 mA power</u>

Right hand



Left hand



Common mechanical characteristics: Body and latch block in metal, asymmetrical. Supplied with striking plate in stainless steel

Use: electric strikes for glazed doors



Art.

Description

39012A

SECURITY ELECTRIC STRIKE FOR GLASS DOORS

Fail locked

Mortice electric strike for glazed doors – from 10 to 12 mm thick doors

Opening limited to electrical impulse duration

Operating voltage :12 Vdc

Current absorption: 280 mA



39812A

SECURITY ELECTRIC STRIKE FOR GLASS DOORS

Fail unlocked - Fail safe

Mortice electric strike for glazed doors – from 10 to 12 mm thick doors

Operating voltage: 12 Vdc

Current absorption: 280 mA

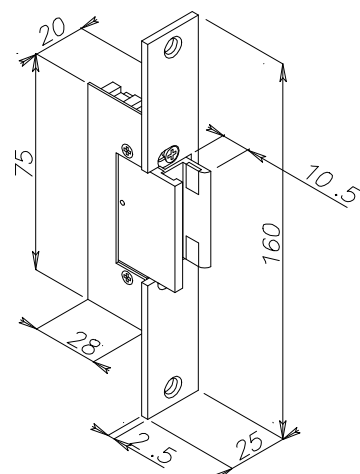
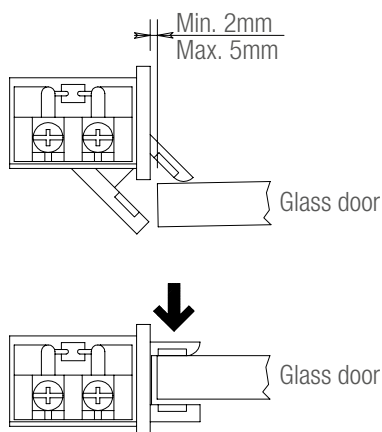
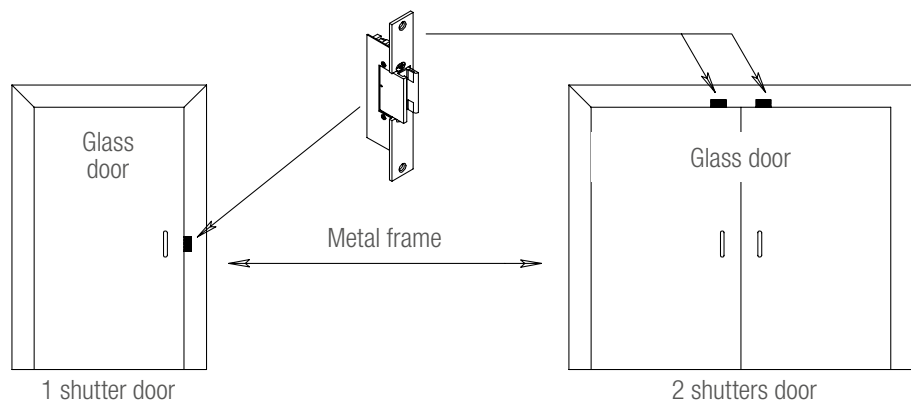
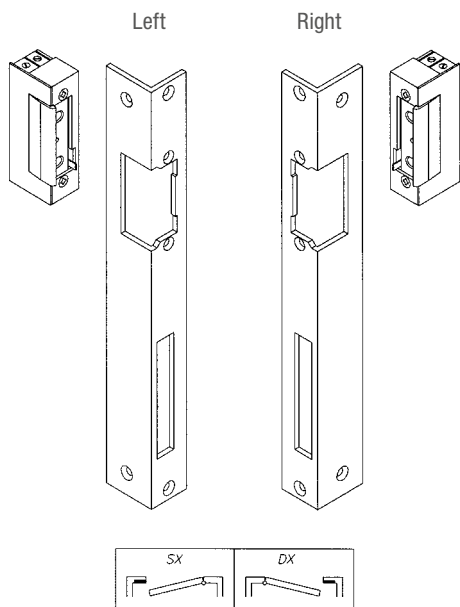
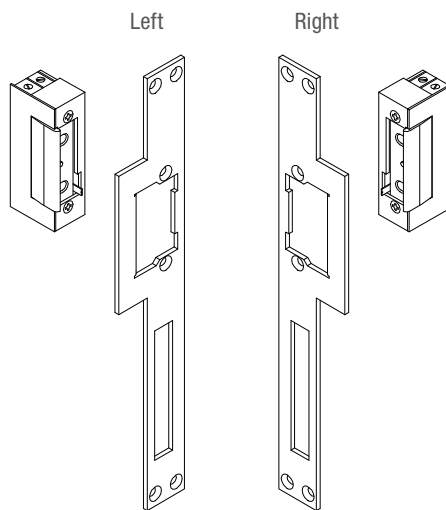


TABLE TO IDENTIFY THE HAND OF THE ELECTRIC STRIKE

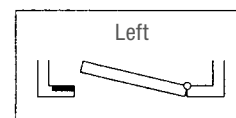
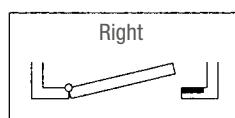
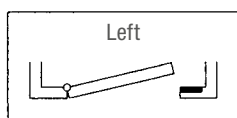
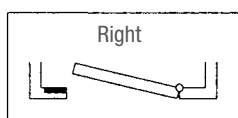
OMNIA range with angular front plate







OMNIA RADIAL serie



OMNIA BLINDO 700 series








Art.	Description
	<p>03010 SHORT STRIKING PLATE Asymmetrical for latch locks only In grey painted steel Dimensions (mm): 160 x 25 x 3 – see drawing at page 100 Reversible hand</p> <p>Use: for all electric strikes Omnia Micro series, Omnia 1.000 series</p>
	<p>03010S SHORT STRIKING PLATE Symmetrical for latch locks only In grey painted steel Dimensions (mm): 110 x 25 x 3 - see drawing at page 100 Reversible hand</p> <p>Use: for all electric strikes Omnia Micro series, Omnia 1,000 series</p>
	<p>LONG STRIKING PLATE For latch and deadbolt security locks. In grey painted steel Dimensions (mm): 250 x 25 x 3 - see drawing at page 100 Reversible hand</p> <p>03030 In grey painted steel 03030GD In gold painted steel 03030CRO In glazed chromium plated steel</p> <p>Use: for all electric strikes Omnia Micro series, Omnia 1.000 series</p>
	<p>LONG STRIKING PLATE For latch and deadbolt security locks. In gold painted steel Dimensions (mm): 250 x 25 x 2,5 - see drawing at page 100 Right or left hand</p> <p>03030.1GDR Right hand 03030.2GDR Left hand</p> <p>Use: for all electric strikes Omnia Radial</p>








Art.	Description
 03031	<p>LONG STRIKING PLATE For latch and deadbolt security locks. In stainless steel Dimensions (mm): 250 x 25 x 3 - see drawing at page 100 Reversible hand</p> <p>Use: for all electric strikes Omnia Micro series, Omnia 1.000 series</p>
 03130	<p>LONG STRIKING PLATE For latch and deadbolt security locks, hole (mm) 102 x 12 for insertion in the swinging deadbolt. In grey painted steel Dimensions (mm): 250 x 25 x 3 - see drawing at page 100 Reversible hand</p> <p>Use: only for Omnia Micro series strikes</p>
 03131	<p>LONG STRIKING PLATE For latch and deadbolt security locks, hole (mm) 102 x 12 for insertion in the swinging deadbolt. In stainless steel Dimensions (mm): 250 x 25 x 3 - see drawing at page 100 Reversible hand</p> <p>Use: only for Omnia Micro series strikes</p>
 03132	<p>LONG STRIKING PLATE For latch and deadbolt security locks, tapered hole (mm) 102 x 12 for insertion in the swinging deadbolt. In stainless steel Dimensions (mm): 250 x 25 x 3 - see drawing at page 100 Reversible hand</p> <p>Use: only for Omnia Micro series strikes</p>
 03162 03162BA	<p>SHORT ANGULAR STRIKING PLATE Only for latch locks - Squared edges In gold painted steel Dimensions (mm): 172 x 32 x 25 - see drawing at page 100 Reversible hand</p> <p><u>Squared edges</u> <u>Rounds edges</u></p> <p>Use: for all electric strikes Omnia Micro series, Omnia 1.000 series</p>











Art.	Description
 <p data-bbox="421 300 485 322">03310</p>	<p data-bbox="596 300 1214 322">SHORT STRIKING PLATE FOR OMNIA 16 - RADIAL</p> <p data-bbox="596 333 1155 456">Only for latch locks In grey painted steel Dimensions (mm): 130 x 22 x 3 - see drawing at page 100 Reversible hand</p> <p data-bbox="596 479 1262 535">Use: for all electric strikes Omnia 16 - Radial series for mortice fixing, mounted on wooden or PVC door profiles</p>
 <p data-bbox="421 678 501 701">03310R</p>	<p data-bbox="596 678 1155 701">SHORT STRIKING PLATE FOR OMNIA RADIAL</p> <p data-bbox="596 712 1155 835">Only for latch locks In nickel plated steel Dimensions (mm): 130 x 22 x 3 - see drawing at page 100 Reversible hand</p> <p data-bbox="596 869 1299 925">Use: for all electric strikes Omnia Radial series for mortice fixing, mounted on wooden or PVC door profiles</p>
 <p data-bbox="421 1057 485 1079">03330</p>	<p data-bbox="596 1057 1198 1079">LONG STRIKING PLATE FOR OMNIA 16 - RADIAL</p> <p data-bbox="596 1090 1155 1214">For latch and deadbolt security locks In grey painted steel Dimensions (mm): 250 x 22 x 3 - see drawing at page 100 Reversible hand</p> <p data-bbox="596 1236 1262 1292">Use: for all electric strikes Omnia 16 - Radial series for mortice fixing, mounted on wooden or PVC door profiles</p>
 <p data-bbox="421 1435 485 1458">03331</p>	<p data-bbox="596 1435 1198 1458">LONG STRIKING PLATE FOR OMNIA 16 - RADIAL</p> <p data-bbox="596 1469 1155 1592">For latch and deadbolt security locks In stainless steel Dimensions (mm): 250 x 22 x 3 - see drawing at page 100 Reversible hand</p> <p data-bbox="596 1615 1262 1671">Use: for all electric strikes Omnia 16 - Radial series for mortice fixing, mounted on wooden door/window profiles</p>
 <p data-bbox="421 1951 501 1973">03342.1</p> <p data-bbox="421 1984 501 2007">03342.2</p>	<p data-bbox="596 1760 1222 1816">LONG ANGULAR STRIKING PLATE FOR OMNIA 16 - RADIAL</p> <p data-bbox="596 1827 1166 1951">For latch and deadbolt security locks In zinc plated steel with short side flank Dimensions (mm): 208 x 36 x 18 - see drawing at page 101 Not reversible – Specify hand</p> <p data-bbox="596 1962 700 1984"><u>Right hand</u></p> <p data-bbox="596 1995 700 2018"><u>Left hand</u></p> <p data-bbox="596 2040 1267 2096">Use: for all electric strikes Omnia 16 – Radial series for mortice fixing, mounted on wooden door profiles</p>



Art.	Description
	<p>LONG STRIKING PLATE FOR OMNIA BLINDO 700 For security locks for armoured doors latch and 4 deadbolts backset (mm) 28 In polished nickel plated steel Dimensions (mm): 248 x 35 x 2.5 - see drawing at page 101 Not reversible – Specify hand - see page 93</p> <p>03370.1 Right hand 03370.2 Left hand 03370R Reversible</p> <p>Use: or all electric strikes Omnia Blindo 700 series</p>
	<p>LONG STRIKING PLATE FOR OMNIA BLINDO 700 For security locks for armoured doors latch and 4 deadbolts backset (mm) 28 (41.6 mm between latch and deadbolt) In polished nickel plated steel Dimensions (mm): 322 x 35 x 2,5 - see drawing at page 101 Not reversible – Specify hand - see page 93</p> <p>03371.1 Right hand 03371.2 Left hand</p> <p>Use: for all electric strikes Omnia Blindo 700 series</p>
	<p>03372 LONG STRIKING PLATE FOR OMNIA MICRO For security locks for armoured doors latch and 2 deadbolts backset (mm) 55.6 In polished nickel plated steel Dimensions (mm): 293 x 32 x 2,5 - see drawing at page 101 Reversible hand</p> <p>Use: for all electric strikes Omnia Micro series</p>
	<p>LONG STRIKING PLATE FOR OMNIA BLINDO 700 For security locks and 3 deadbolts backset (mm) 37 In polished nickel plated steel Dimensions (mm): 248 x 35 x 2.5 - see drawing at page 101 Not reversible – Specify hand - see page 93</p> <p>03374.1 Right hand 03374.2 Left hand 03374R Reversible</p> <p>Use: for all electric strikes Omnia Blindo 700 series</p>
	<p>LONG STRIKING PLATE FOR OMNIA BLINDO 700 For security locks and 4 deadbolts backsets (mm) 28 (33.5 mm between latch and deadbolt) In polished nickel plated steel Dimensions (mm): 322 x 35 x 2,5 - see drawing at page 101 Not reversible – Specify hand - see page 93</p> <p>03375.1 Right hand 03375.2 Left hand</p> <p>Use: for all electric strikes Omnia Blindo 700 series</p>



Art.	Description
	<p>03410 SHORT STRIKING PLATE Only for latch locks In hardened anodized aluminium. Dimensions (mm): 160 x 25 x 3 - see drawing at page 100 Reversible hand Use: for all electric strikes Omnia Micro and Omnia 1.000 series for mortice fixing</p>
	<p>03411 SHORT STRIKING PLATE Only for latch locks In stainless steel Dimensions (mm): 160 x 25 x 3 - see drawing at page 100 Reversible hand Use: for all electric strikes Omnia Micro series, Omnia 1.000</p>
	<p>03431 LONG STRIKING PLATE For latch and deadbolt locks In stainless steel Dimensions (mm): 280 x 25.5 x 3 - see drawing at page 100 Reversible hand Use: for replacement of security type electric strikes eff-eff series 141, 331 and 341 with Omnia 1,000 series for mortice fixing</p>
	<p>LONG ANGULAR STRIKING PLATE For latch and deadbolt security locks In gold painted steel Dimensions (mm): 250 x 32 x 25 - see drawing at page 101 Not reversible – Specify hand <u>Right hand - square edges</u> <u>Left hand - square edges</u> <u>Right hand - round edges</u> <u>Left hand - round edges</u> Use: for all electric strikes Omnia Micro series, Omnia 1.000</p>
 	<p>LONG ANGULAR STRIKING PLATE For latch and deadbolt security locks Dimensions (mm): 265 x 30 x 26 - see drawing at page 101 Not reversible – Specify hand <u>Right hand - in satin nickel plated steel</u> <u>Left hand - in satin nickel plated steel</u> <u>Right hand - in satin brass steel</u> <u>Left hand - in satin brass steel</u> Use: for all electric strikes Omnia Micro series, Omnia 1.000</p>
 	<p>LONG ANGULAR STRIKING PLATE For latch and deadbolt security locks Dimensions (mm): 265 x 30 x 26 - see drawing at page 101 Not reversible – Specify hand <u>Right hand - in satin nickel plated steel</u> <u>Left hand - in satin nickel plated steel</u> <u>Right hand - in gold plated steel</u> <u>Left hand - in gold plated steel</u> Use: for electric strike 31012DCF and 31412F</p>



Art.	Description
------	-------------



08710

LATCH LOCK

Body in grey painted steel
 Dimensions (mm): 30 x 15 x 15
 Striking plate in grey painted steel
 Dimensions (mm): 55 x 20 x 3
 Latch in nickel plated steel (mm) 12 x 10 mm extension
 Reversible hand

Use: for all electric strikes Omnia series for mortice fixing

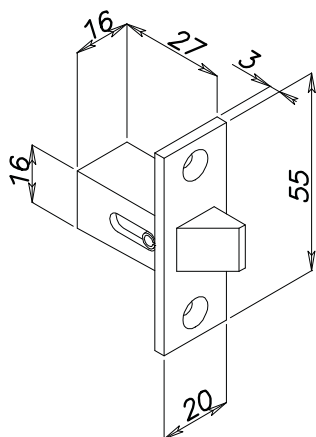


08711A

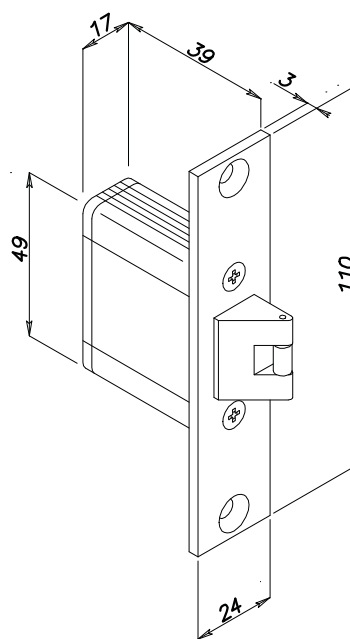
LATCH LOCK

Body in aluminium
 Dimensions (mm): 110 x 24 x 3
 Front plate in stainless steel -
 Latch in nickel plated steel height (mm) 22
 Reversible hand

Use: for all electric strikes Omnia series for mortice fixing



08710



08711A



<p>Art. 03010 Art. 03410 Art. 03411</p>	<p>Art. 03010S</p>	<p>Art. 03030 Art. 03030 GD Art. 03031</p>	<p>Art. 03030GDR</p>	<p>Art. 03130 Art. 03131</p>	
<p>Art. 03132</p>	<p>Art. 03162</p>	<p>Art. 03310</p>	<p>Art. 03310R</p>	<p>Art. 03330</p>	<p>Art. 03331</p>



DIMENSIONS OF STRIKING PLATES FOR ELECTRIC STRIKES

<p>Art. 03342</p>	<p>Art. 03370</p>	<p>Art. 03371</p>	<p>Art. 03372</p>	<p>Art. 03374</p>
<p>Art. 03375</p>	<p>Art. 03431</p>	<p>Art. 03442</p>	<p>Art. 03445</p>	<p>Art. 03446</p>



IQUADRA

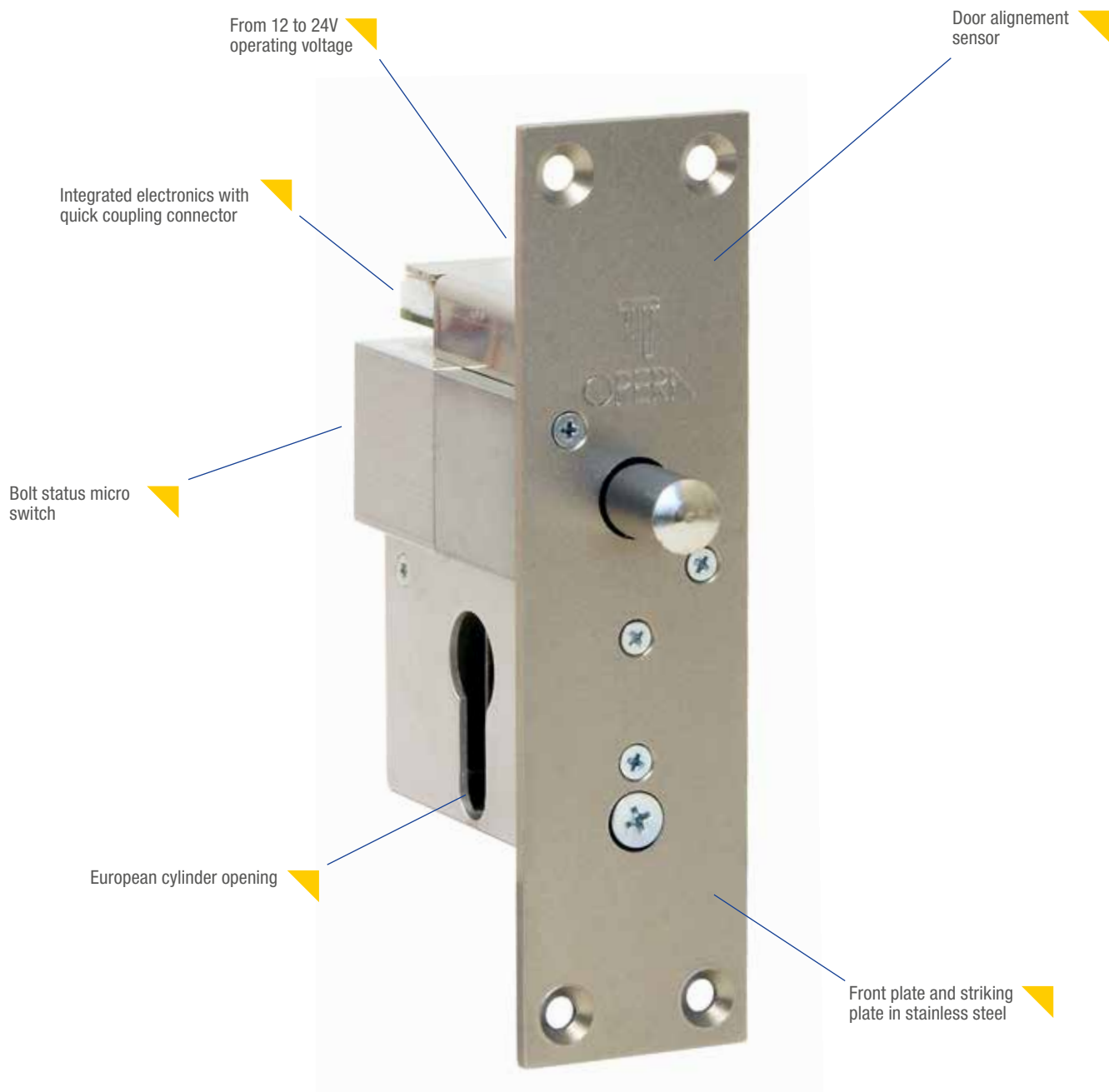
- ▶ HORIZONTAL SECURITY SOLENOID LOCKS
- ▶ APPLICATION ON DOORS AND ROLLING SHUTTERS
- ▶ MICRO VERSION FOR CABINETS AND WINDOWS APPLICATION
- ▶ MANUAL ACTIVATION WITH EUROPEAN CYLINDER
- ▶ EASY INSTALLATION





QUADRA

www.opera-italy.com



PLUS

- ▶ Reduced size Quadra Micro version for cabinets and doors closing
- ▶ Quadra version for doors and rolling shutters closing
- ▶ Easy operating system by direct current power supply
- ▶ Fail safe or fail secure versions
- ▶ Integrated electronics versions



DOOR WITH ELECTRONIC LOCK AND INTEGRATED ELECTRONICS

INTERNAL OPENING



EXTERNAL OPENING



CONTROLLED OPENING



PLUS EXAMPLE

- ▶ Mortice closing system for metal or aluminium door frames
- ▶ Rim versions as supplementary closing system
- ▶ Ideal as closing system for cabinets managed by access control units
- ▶ To be matched to access control systems



Art.	Description
------	-------------



20610-12
20611-12
20610-24
20611-24

MICRO SOLENOID LOCK - FAIL SAFE

Open without power
Striking plate in stainless steel (mm) 80 x 25 x 3
Armature plate in stainless steel (mm) 80 x 25 x 3
with magnet adjustable in extension (only Art. 20610)
Deadbolt diameter (mm) 8, extension 8
Operating voltage: 12 Vdc/400mA or 24Vdc/200mA - ED 100%
Mode of operation: horizontal (vertical on request see page 117)
Deadbolt position micro-switch C./N.O./N.C

12V - with N.O magnetic sensor*
12V - without magnetic sensor
24V - with N.O. magnetic sensor*
24V - without magnetic sensor

* For connection to central control unit 54610 or 54710

20612

MICRO SOLENOID LOCK WITH INTERNAL ELECTRONIC

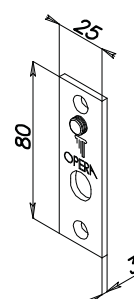
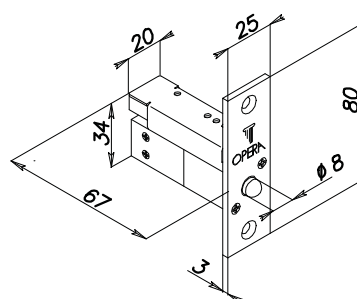
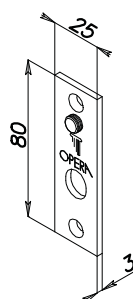
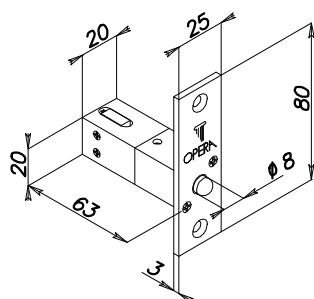
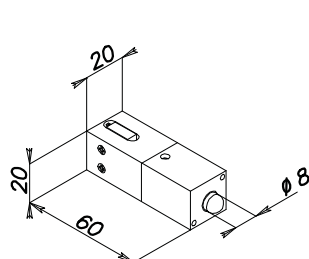
Fail safe
Front plate and striking plate in stainless steel mm 80 x 25 x 4
Striking plate with adjustable magnet for door status position
Bolt dimensions: diameter 8mm, extension 8
Operating voltage: 12Vdc - 400 mA peak, 270 mA for maintenance
24Vdc - 300 mA peak, 150 mA for maintenance
Internal microprocessor control electronic
Rapid plug-in connector
Bolt position free voltage contact C. / N.O. / N.C.
Push buttons for monitoring and adjustment of reclosing times from 0-5 sec. to approach of door and from 0-60 sec. if the door is not opened
Mode of operation: horizontal (vertical on request see page 117)

**MICRO SOLENOID LOCK - FAIL SAFE**

Open without power
Deadbolt diameter (mm) 8, extension 11 mm (8 mm. stroke)
Operating voltage: 12 Vdc/400mA or 24Vdc/200mA - ED 100%
Mode of operation: horizontal (vertical on request see page 117)
Deadbolt position micro-switch C./N.O./N.C

20613-12
20613-24

12Vdc
24Vdc



HORIZONTAL SECURITY SOLENOID LOCKS QUADRA MICRO SERIES

Art.	Description
------	-------------



20810-12
20811-12
20810-24
20811-24

MICRO SOLENOID LOCK - FAIL SECURE

Closed without power
 Striking plate in stainless steel (mm) 80 x 25 x 3
 Armature plate in stainless steel (mm) 80 x 25 x 3
 with magnet adjustable in extension (only Art. 20810)
 Deadbolt diameter (mm) 8, extension 8
 Operating voltage: 12 Vdc/400mA or 24Vdc/200mA - ED 100%
 Mode of operation: horizontal (vertical on request see page 117)
 Deadbolt position micro-switch C./N.O./N.C

12V - With N.O. magnetic door position sensor*
12V - Without magnetic sensor
24V - With N.O. magnetic door position sensor*
24V - Without magnetic sensor

* For connection to central control unit 54610 or 54710

20812

MICRO SOLENOID LOCK WITH INTERNAL ELECTRONIC

Fail secure
 Front plate and striking plate in stainless steel mm 80 x 25 x 3
 Striking plate with adjustable magnet for door status position
 Bolt dimensions: diameter 8 mm, extension 8
 Operating voltage: 12Vdc - 400 mA peak, 270 mA for maintenance
 24Vdc - 300 mA peak, 150 mA for maintenance
 Internal microprocessor control electronic
 Rapid plug-in connector
 Bolt position free voltage contact C. / N.O. / N.C.

Push buttons for monitoring and adjustment of reclosing times from 0-5 sec. to approach of door and from 0-60 sec. if the door is not opened

Mode of operation: horizontal (vertical on request see page 117)



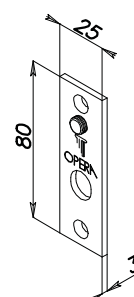
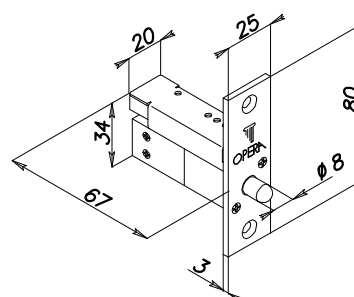
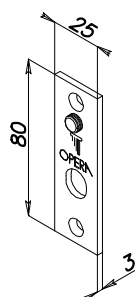
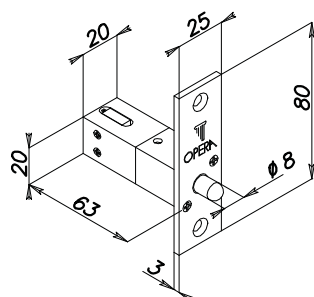
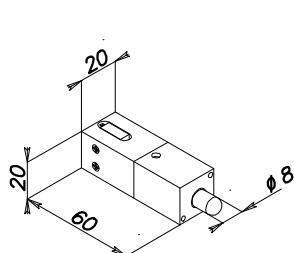
MICRO SOLENOID LOCK - FAIL SECURE

Closed without power
 Deadbolt diameter (mm) 8, extension 11 (8 mm. stroke)
 Operating voltage: 12 Vdc/400mA or 24Vdc/200mA - ED 100%
 Mode of operation: horizontal (vertical on request see page 117)
 Deadbolt position micro-switch C./N.O./N.C



20813-12
20813-24

12 V
24 V



Art.	Description
------	-------------



20910-12
20911-12
20910-24
20911-24

MICRO SOLENOID LOCK WITH LATCH

Closed without power
Striking plate in stainless steel (mm) 80 x 25 x 3
Armature plate in stainless steel (mm) 80 x 25 x 3 with magnet adjustable in extension (only Art. 20910)
Latch diameter (mm) 8, extension 8
Operating voltage: 12 Vdc/400mA or 24Vdc/200mA - ED 100%
Mode of operation: horizontal (vertical on request see page 117)
Deadbolt position micro-switch C./N.O./N.C

12V - With N.O. magnetic door position sensor
12V - Without magnetic sensor
24V - With N.O. magnetic door position sensor
24V - Without magnetic sensor



20913-12
20913-24

MICRO SOLENOID LOCK WITH LATCH

Closed without power
Latch diameter (mm) 8, extension 12 (8 mm. stroke)
Operating voltage: 12 Vdc/400mA or 24Vdc/200mA - ED 100%
Mode of operation: horizontal (vertical on request see page 117)
Deadbolt position micro-switch C./N.O./N.C

12 V
24 V



20910A-12
20911A-12
20910A-24
20911A-24

MICRO SOLENOID LOCK WITH LATCH - FAIL SAFE

Open without power
Striking plate in stainless steel (mm) 80 x 25 x 3
Armature plate in stainless steel (mm) 80 x 25 x 3 with magnet adjustable in extension (only Art. 20910A)
Latch diameter (mm) 8, extension 8
Operating voltage: 12 Vdc/400mA or 24Vdc/200mA - ED 100%
Mode of operation: horizontal (vertical on request see page 117)
Deadbolt position micro-switch C./N.O./N.C

12V - With N.O. magnetic door position sensor
12V - Without magnetic sensor
24V - With N.O. magnetic door position sensor
24V - With magnetic sensor

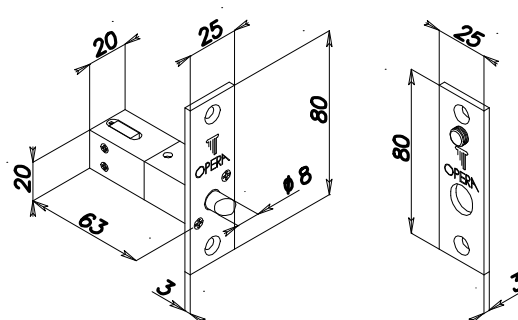
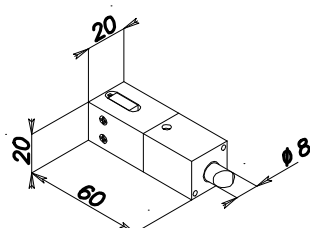


20913A-12
20913A-24

MICRO SOLENOID LOCK WITH LATCH - FAIL SAFE

Open without power
Latch diameter (mm) 8, extension 12 (8 mm. stroke)
Operating voltage: 12 Vdc/400mA or 24Vdc/200mA - ED 100%
Mode of operation: horizontal (vertical on request see page 117)
Deadbolt position micro-switch C./N.O./N.C

12 V
24 V



HORIZONTAL SECURITY SOLENOID LOCKS QUADRA MICRO SERIES

Art.	Description
------	-------------



20610XS-12
20611XS-12
20610XS-24
20611XS-24

MICRO SOLENOID LOCK - FAIL SAFE

Open without power
 Striking plate in stainless steel (mm) 80 x 25 x 3
 Armature plate in stainless steel (mm) 80 x 25 x 3
 with magnet adjustable in extension (only Art. 20610XS)
 Deadbolt diameter (mm) 8, extension 8
 Operating voltage: 12 Vdc/400mA or 24Vdc/200mA - ED 100%
 Mode of operation: horizontal (vertical on request see page 117)

12V - With N.O. magnetic door position sensor
12V - Without magnetic sensor
24V - With N.O. magnetic door position sensor
24V - Without magnetic sensor



20613XS-12
20613XS-24

MICRO SOLENOID LOCK - FAIL SAFE

Open without power
 Deadbolt diameter (mm) 8, extension 11 (8 mm. stroke)
 Operating voltage: 12 Vdc/400mA or 24Vdc/200mA - ED 100%
 Mode of operation: horizontal (vertical on request see page 117)

12 V
24 V

Art. + AM

On request: mechanical release with knob (see page 113)



20810XS-12
20811XS-12
20810XS-24
20811XS-24

MICRO SOLENOID LOCK - FAIL SECURE

Closed without power
 Striking plate in stainless steel (mm) 80 x 25 x 3
 Armature plate in stainless steel (mm) 80 x 25 x 3
 with magnet adjustable in extension (only Art. 20810XS)
 Deadbolt diameter (mm) 8, extension 8
 Operating voltage: 12 Vdc/400mA or 24Vdc/200mA - ED 100%
 Mode of operation: horizontal (vertical on request see page 117)

12V - With N.O. magnetic door position sensor
12V - Without magnetic sensor
24V - With N.O. magnetic door position sensor
24V - Without magnetic sensor



20813XS-12
20813XS-24

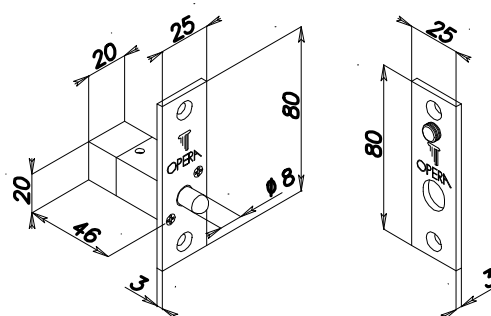
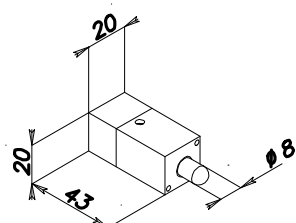
MICRO SOLENOID LOCK - FAIL SECURE

Closed without power
 Deadbolt diameter (mm) 8, extension 11 (8 mm. stroke)
 Operating voltage: 12 Vdc/400mA or 24Vdc/200mA - ED 100%
 Mode of operation: horizontal (vertical on request see page 117)

12 V
24 V

Art. + AM

On request: mechanical release with knob (see page 113)



Art.	Description
------	-------------



20910XS-12
20911XS-12
20910XS-24
20911XS-24

MICRO SOLENOID LOCK WITH LATCH - FAIL SECURE

Closed without power
 Striking plate in stainless steel (mm) 80 x 25 x 3
 Armature plate in stainless steel (mm) 80 x 25 x 3
 with magnet adjustable in extension (only Art. 20910XS)
 Latch diameter (mm) 8, extension 8
 Operating voltage: 12 Vdc/400mA or 24Vdc/200mA - ED 100%
 Mode of operation:horizontal (vertical on request see page 117)

12V - With N.O. magnetic door position sensor
12V - Without magnetic sensor
24V - With N.O. magnetic door position sensor
24V - Without magnetic sensor



20913XS-12
20913XS-24

Art. + AM

MICRO SOLENOID LOCK WITH LATCH - FAIL SECURE

Closed without power
 Latch diameter (mm) 8, extension 11 (8 mm. stroke)
 Operating voltage: 12 Vdc/400mA or 24Vdc/200mA - ED 100%
 Mode of operation:horizontal (vertical on request see page 117)

12 V
24 V

On request: mechanical release with knob (see page 113)



20910XSA-12
20911XSA-12
20910XSA-24
20911XSA-24

MICRO SOLENOID LOCK WITH LATCH - FAIL SAFE

Open without power
 Striking plate in stainless steel (mm) 80 x 25 x 3
 Armature plate in stainless steel (mm) 80 x 25 x 3
 with magnet adjustable in extension (only Art. 20910XSA)
 Latch diameter (mm) 8, extension 8
 Operating voltage: 12 Vdc/400mA or 24Vdc/200mA - ED 100%
 Mode of operation:horizontal (vertical on request see page 117)

12V - With N.O. magnetic door position sensor
12V - Without magnetic sensor
24V - With N.O. magnetic door position sensor
24V - Without magnetic sensor



20913XSA-12
20913XSA-24

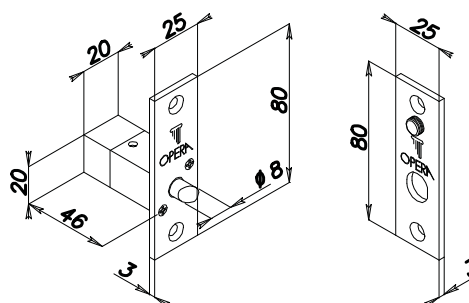
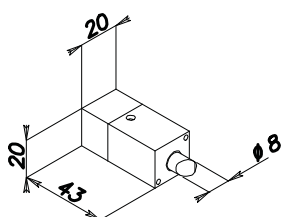
Art. + AM

MICRO SOLENOID LOCK WITH LATCH - FAIL SAFE

Open without power
 Latch diameter (mm) 8, extension 11 mm (8 mm. stroke)
 Operating voltage: 12 Vdc/400mA or 24Vdc/200mA - ED 100%
 Mode of operation:horizontal (vertical on request see page 117)

12 V
24 V

On request: mechanical release with knob (see page 113)



HORIZONTAL SECURITY SOLENOID LOCKS QUADRA MICRO SERIES

Art.	Description
------	-------------

SECURITY SOLENOID LOCK - FAIL SAFE

Open without power
 Striking plate in stainless steel mm 100 x 40 x 3
 Armature plate in stainless steel mm 100 x 40 x 3
 with magnet adjustable in extension (only Art. 21610)
 Deadbolt diameter (mm) 12, extension 18
 Operating voltage: 12 Vdc/900mA or 24Vdc/450mA - ED 100%
 Mode of operation: horizontal (vertical on request see page 117)
 Deadbolt position micro-switch C./N.O./N.C

21610
 21611

With N.O. magnetic door position sensor *
Without magnetic sensor

* For connection to central control unit 54610 or 54710



21612

SOLENOID LOCK WITH INTERNAL ELECTRONIC - FAIL SAFE

Open without power
 Front plate and striking plate in stainless steel mm 100 x 40 x 3
 Striking plate mm 100 x 40 x 3 with adjustable magnet for door status position
 Bolt dimensions: diameter 12 mm, extension 18
 Operating voltage:
 12Vdc - 800 mA peak, 550 mA for maintenance
 24Vdc - 500 mA peak, 350 mA for maintenance
 Internal microprocessor control electronic
 Rapid plug-in connector
 Bolt position free voltage contact C. / N.O. / N.C.

Push buttons for monitoring and adjustment of reclosing times from 0-5 sec. To approach of door and from 0-60 sec. If the door is not opened

Mode of operation: horizontal (vertical on request see page 117)



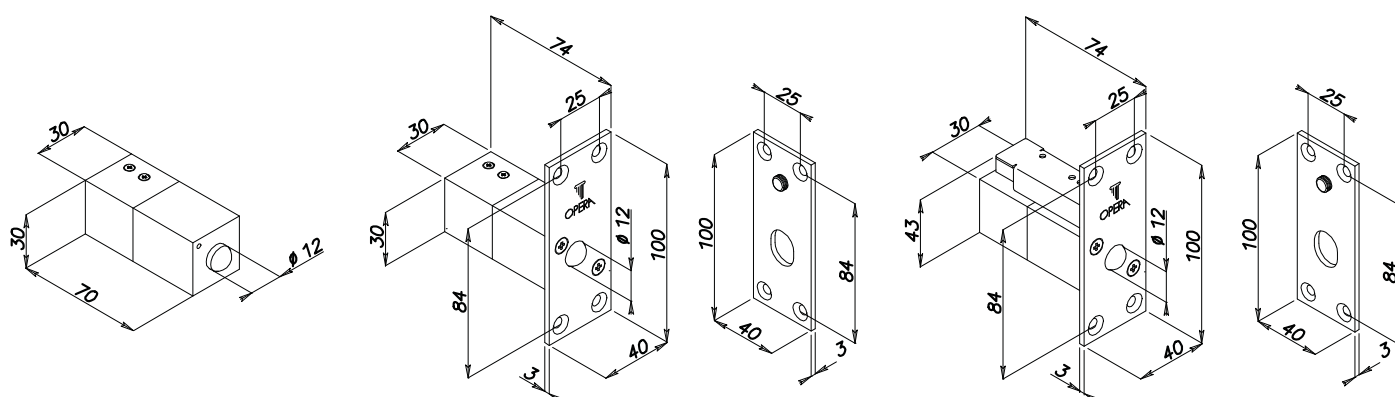
21613

SECURITY SOLENOID LOCK - FAIL SAFE

Open without power
 Deadbolt diameter (mm) 12, extension 21 (18 mm. stroke)
 Operating voltage: 12 Vdc/900mA or 24Vdc/450mA - ED 100%
 Mode of operation: horizontal (vertical on request see page 117)
 Deadbolt position micro-switch C./N.O./N.C

Art. + AM

On request: mechanical release with knob (see page 113)



Art.	Description
------	-------------



21810
21811

SECURITY SOLENOID LOCK - FAIL SECURE

Closed without power
Striking plate in stainless steel mm 100 x 40 x 3
Armature plate in stainless steel mm 100 x 40 x 3
with magnet adjustable in extension (only Art. 21810)
Deadbolt diameter (mm) 12, extension 18
Operating voltage: 12 Vdc/900mA or 24Vdc/450mA - ED 100%
Mode of operation: horizontal (vertical on request see page 117)
Deadbolt position micro-switch C./N.O./N.C

With N.O. magnetic door position sensor *

Without magnetic sensor

* For connection to central control unit 54610 or 54710

21812

SECURITY SOLENOID LOCK WITH INTERNAL ELECTRONIC - FAIL SECURE

Front plate and striking plate in stainless steel mm 100 x 40 x 3
Striking plate mm 100 x 40 x 3 with adjustable magnet for door status position
Bolt dimensions: diameter 12 mm, extension 18 mm
Operating voltage:
12Vdc - 800 mA peak, 450 mA for maintenance
24Vdc - 500 mA peak, 250 mA for maintenance
Internal microprocessor control electronic
Rapid plug-in connector
Bolt position free voltage contact C. / N.O. / N.C.

Push buttons for monitoring and adjustment of reclosing times from 0-5 sec. To approach of door and from 0-60 sec. If the door is not opened.

Mode of operation: horizontal (vertical on request see page 117)



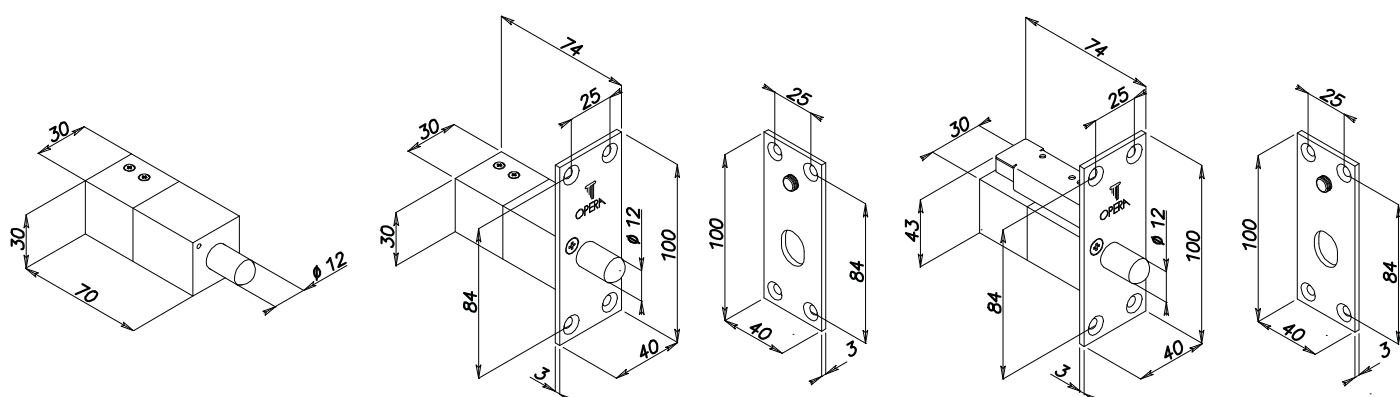
21813

SECURITY SOLENOID LOCK - FAIL SECURE

Closed without power
Deadbolt diameter (mm) 12, extension 21 (18 mm. stroke)
Operating voltage: 12 Vdc/900mA or 24Vdc/450mA - ED 100%
Mode of operation: horizontal (vertical on request see page 117)
Deadbolt position micro-switch C./N.O./N.C

Art. + AM

On request: mechanical release with knob (see page 113)



HORIZONTAL SECURITY SOLENOID LOCKS QUADRA MICRO SERIES



Art.

Description

SECURITY SOLENOID LOCK WITH LATCH - FAIL SECURE

Closed without power

Striking plate in stainless steel (mm) 100 x 40 x 3

Armature plate in stainless steel (mm) 100 x 40 x 3

with magnet adjustable in extension (only Art. 21910)

Lock body dimensions (mm): 70 x 30 x 30 See drawing at page 112

Latch diameter (mm) 12, extension 14 mm.

Operating voltage: 12 Vdc/900mA or 24Vdc/450mA - ED 100%

Mode of operation: horizontal (vertical on request see page 117)

Monitored latch position micro-switch C./N.O./N.C

21910With N.O. magnetic door position sensor**21911**Without magnetic sensor**21913****SECURITY SOLENOID LOCK WITH LATCH - FAIL SECURE**

Closed without power

Lock body dimensions (mm) 70 x 30 x 30: See drawing at page 112

Latch diameter (mm) 12, extension 17 mm (14 mm. stroke)

Operating voltage: 12 Vdc/900mA or 24Vdc/450mA - ED 100%

Mode of operation: horizontal (vertical on request see page 117)

Monitored latch position micro-switch C./N.O./N.C

Art. + AM**On request:** mechanical release with knob (see below)

MECHANICAL RELEASE WITH KNOB



1



2



3



4

Art.	Description
------	-------------



21614
21615
Art. + S

SECURITY SOLENOID LOCK – FAIL SAFE

Open without power
 Operating voltage: 12 Vdc/900mA or 24Vdc/450mA - ED 100%
 Deadbolt diameter (mm) 12, extension 18 mm.
 Ready for European profile cylinder for key opening
 Mode of operation: horizontal (vertical on request see page 117)
 Deadbolt position micro-switch C./N.O./N.C

With N.O. magnetic door position sensor *

Without magnetic sensor

With cylinder with needle key

* For connection to central control unit 54610 or 54710

21616

SOLENOID LOCK WITH INTERNAL ELECTRONIC - FAIL SAFE

Front plate and striking plate in stainless steel
 Striking plate with adjustable magnet for door status position
 Bolt dimensions: diameter 12 mm, extension 18
 Operating voltage:
 12Vdc - 800 mA peak, 550 mA for maintenance
 24Vdc - 500 mA peak, 350 mA for maintenance
 Internal microprocessor control electronic
 Rapid plug-in connector
 Bolt position free voltage contact C. / N.O. / N.C.
 Ready for European profile cylinder for key opening

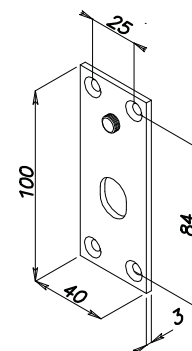
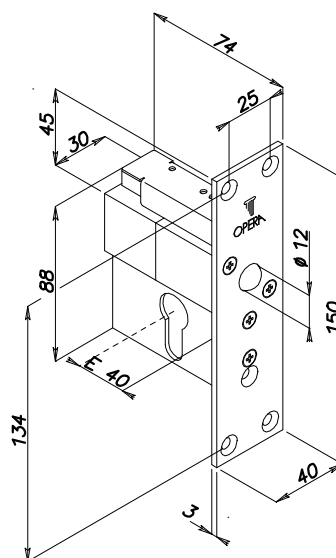
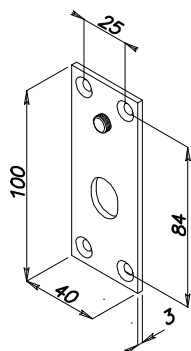
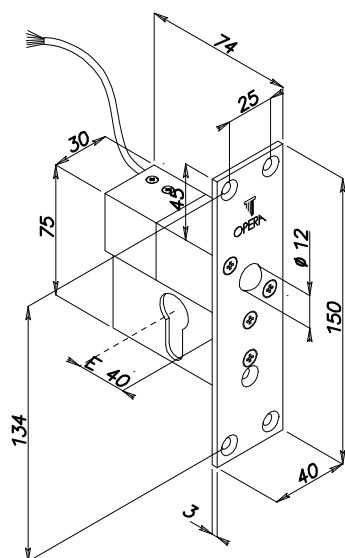
Push buttons for monitoring and adjustment of reclosing times from 0-5 sec. to approach of door and from 0-60 sec. If the door is not opened

Mode of operation: horizontal (vertical on request see page 117)

With cylinder with needle key



Art. + S



HORIZONTAL SECURITY SOLENOID LOCKS QUADRA SERIES WITH KEY RELEASE

Art.	Description
------	-------------



21814
21815
Art. + S

SECURITY SOLENOID LOCK – FAIL SECURE

Closed without power

Operating voltage: 12 Vdc/900mA or 24Vdc/450mA – ED 100%
Deadbolt diameter (mm) 12, extension 18 mm.
Ready for European profile cylinder for key opening
Mode of operation: horizontal (vertical on request see page 117)
Deadbolt position micro-switch C./N.O./N.C

With N.O. magnetic door position sensor *

Without magnetic sensor

With cylinder with needle key

* For connection to central control unit 54610 or 54710

21816



Art. + S

SECURITY SOLENOID LOCK WITH INTERNAL ELECTRONIC – FAIL SECURE

Striking plate with adjustable magnet for door status position

Bolt dimensions: diameter 12 mm, extension 18 mm

Operating voltage: 12Vdc – 800 mA peak, 450 mA for maintenance
24Vdc – 500 mA peak, 250 mA for maintenance

Internal microprocessor control electronic

Rapid plug-in connector

Bolt position free voltage contact C. / N.O. / N.C.

Ready for European profile cylinder for key opening

Push buttons for monitoring and adjustment of reclosing times from 0-5 sec. to approach of door and from 0-60 sec. If the door is not opened

Mode of operation: horizontal (vertical on request) – see page 117

With cylinder with needle key

SECURITY SOLENOID LOCK WITH LATCH – FAIL SECURE

Closed without power

Latch diameter (mm) 12, extension 14 mm.

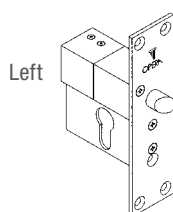
Power supply: 12 Vdc/900mA or 24Vdc/450mA – ED 100%

Ready for European profile cylinder for key opening

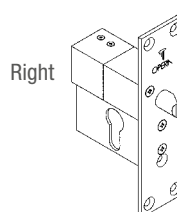
Mode of operation: horizontal (vertical on request see page 117)

Monitored latch position micro-switch C./N.O./N.C

21914
21915
Art. + S



Left



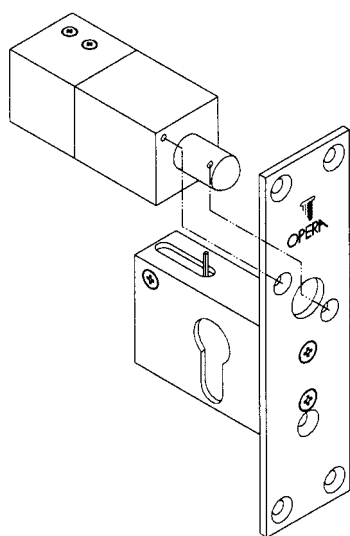
Right

Note: indicate the lock hand (right or left hand)

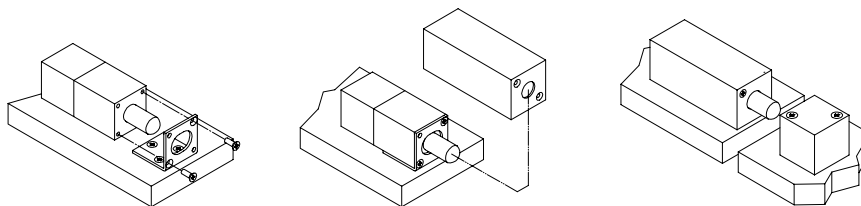


Art.	Description
 <p data-bbox="467 517 533 577">02060 02160</p>	<p data-bbox="643 309 1299 369">BRACKET FOR SIDE MOUNTING OF THE HORIZONTAL SOLENOID LOCK</p> <p data-bbox="643 374 1350 403">Pair of brackets for solenoid lock and Armature plate in black painted steel</p> <p data-bbox="643 407 1211 436">Dimensions of bracket for solenoid lock and Armature plate:</p> <p data-bbox="643 441 1018 470">Quadra Micro series (mm) 32 x 24 x 22</p> <p data-bbox="643 474 959 504">Quadra series (mm) 32 x 32 x 30</p> <p data-bbox="643 517 836 546"><u>Quadra Micro series</u></p> <p data-bbox="643 551 777 580"><u>Quadra series</u></p> <p data-bbox="643 613 1326 674">Use: carter for surface mounting of the horizontal security solenoid lock Quadra and Quadra Micro series</p>
 <p data-bbox="467 983 533 1043">02065 02165</p>	<p data-bbox="643 707 1182 739">CARTER FOR HORIZONTAL SOLENOID LOCK</p> <p data-bbox="643 743 1278 772">Solenoid lock and Armature plate carter body in black painted steel</p> <p data-bbox="643 777 983 806">Carter for solenoid lock dimensions:</p> <p data-bbox="643 810 1018 840">Quadra Micro series (mm) 74 x 26 x 26</p> <p data-bbox="643 844 959 873">Quadra series (mm) 93 x 35 x 35</p> <p data-bbox="643 878 903 907">Armature plate dimensions:</p> <p data-bbox="643 911 1018 940">Quadra Micro series (mm) 25 x 25 x 26</p> <p data-bbox="643 945 959 974">Quadra series (mm) 30 x 30 x 32</p> <p data-bbox="643 987 1147 1016"><u>Quadra Micro series (already inclusive of Art. 02060)</u></p> <p data-bbox="643 1021 1086 1050"><u>Quadra series (already inclusive of Art. 02160)</u></p> <p data-bbox="643 1064 1326 1124">Use: carter for surface mounting of the horizontal security solenoid lock Quadra and Quadra Micro series</p> <p data-bbox="643 1144 1315 1205">Packaging: solenoid lock carter, Armature plate carter, side mounting bracket and screws</p>
 <p data-bbox="467 1453 533 1514">02114 02114S</p>	<p data-bbox="643 1238 1270 1270">STRIKING PLATE WITH KEY OPENING MECHANISM</p> <p data-bbox="643 1274 932 1303">Striking plate in stainless steel</p> <p data-bbox="643 1308 1070 1337">Striking plate dimensions (mm): 150 x 40 x 3</p> <p data-bbox="643 1341 908 1370">Body in anodized aluminium</p> <p data-bbox="643 1375 1054 1404">Dimensions of the body (mm): 70 x 45 x 20</p> <p data-bbox="643 1408 895 1438">Cylinder backset (mm): 40</p> <p data-bbox="643 1451 1007 1480"><u>For standard European profile cylinder</u></p> <p data-bbox="643 1485 836 1514"><u>With needle cylinder</u></p> <p data-bbox="643 1527 1331 1588">Use: accessory for use with horizontal security solenoid lock series 216, 218, 219.</p>

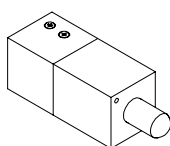
BRACKETS AND COVER APPLICATION EXAMPLES



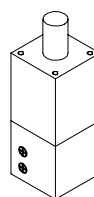
Assembling of key opening mechanism



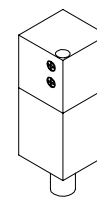
APPLICATION EXAMPLE WITH FUNCTIONING DIRECTION



Standard

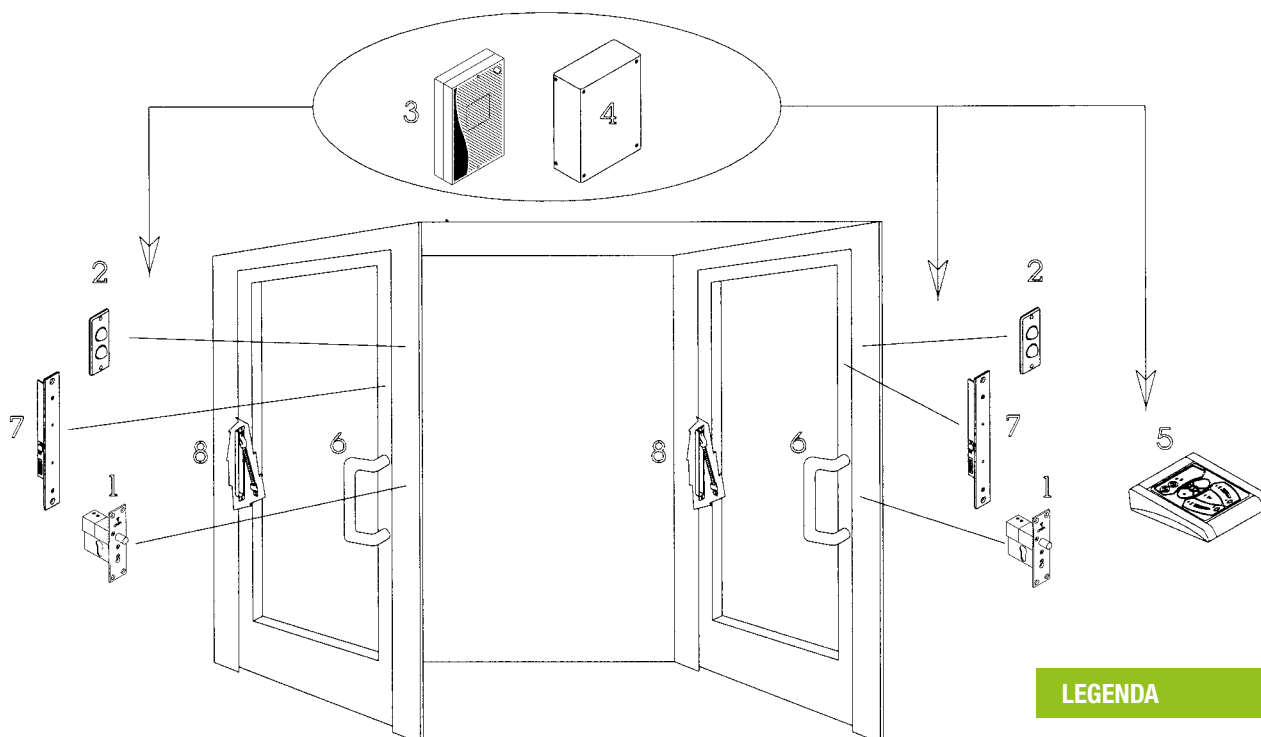


Vertical upwards



Vertical downwards

INTERLOCKED SYSTEM WITH QUADRA LOCKS



LEGENDA

- 1 Solenoid locks
- 2 Indicator lamps
- 3 Control unit
- 4 Power supply
- 5 Desktop console
- 6 Sensitive bars
- 7 Sensitive cards
- 8 Lead covers

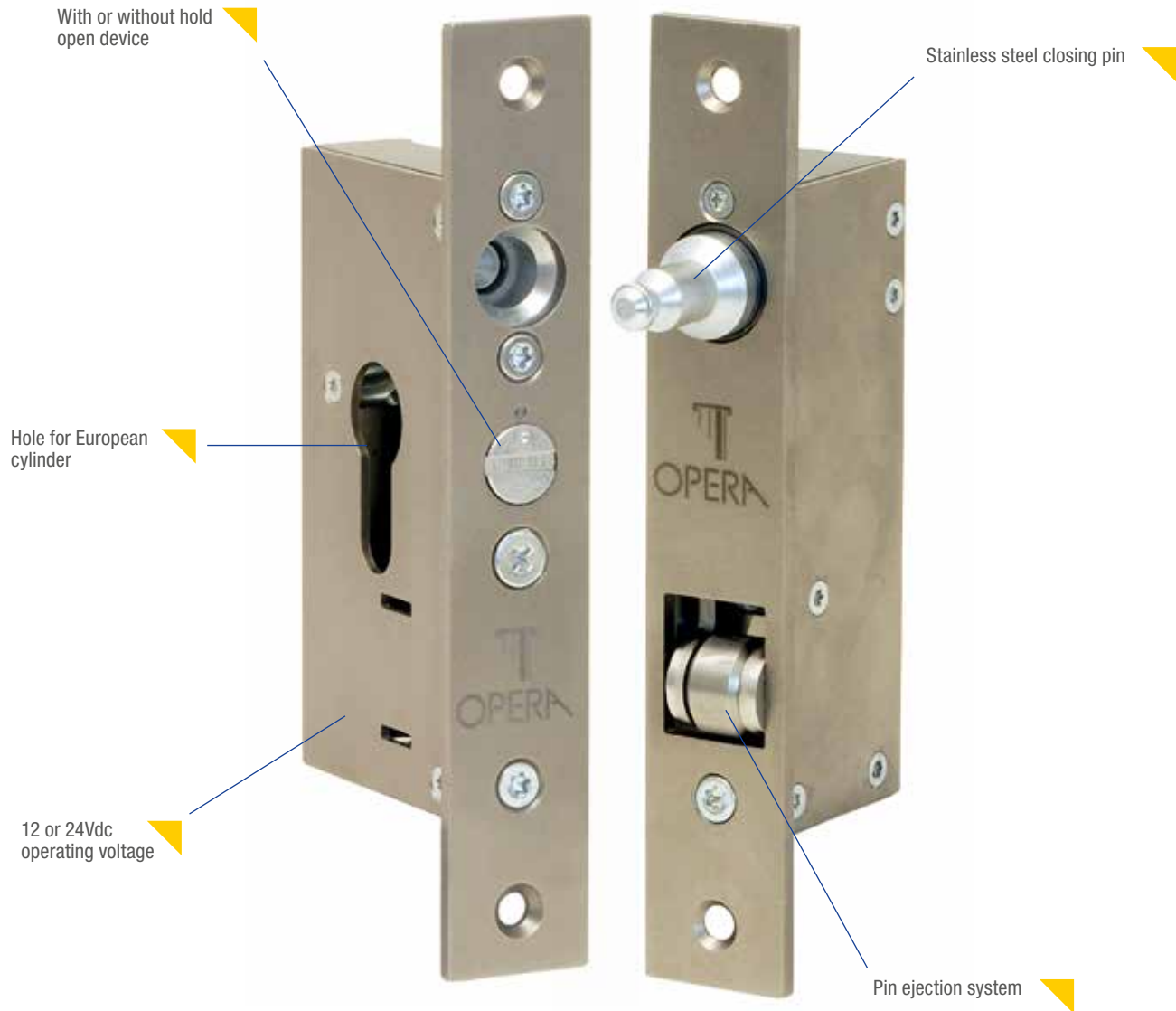




IARCA

- ▶ SECURITY SOLENOID LOCKS
- ▶ KEY VERSION FOR SAFE-DEPOSIT BOXES AND STRONG-BOXES
- ▶ SLIDE VERSION FOR AUTOMATIC SLIDING DOORS
- ▶ ENTIRELY IN STAINLESS STEEL FOR EXPOSURE TO WEATHER CONDITIONS
- ▶ MANUAL ACTIVATION WITH EUROPEAN CYLINDER





PLUS

- ▶ Innovative electric lock for sliding doors
- ▶ High resistance to breaking and entering, over 800 kg
- ▶ Locked without power supply
- ▶ Mechanical opening by European cylinder
- ▶ Internal micro switch for door status signalling
- ▶ Striking plate with retractable pin when the door is open



EXTERNAL OPENING

INTERNAL OPENING



PLUS EXAMPLE

- 1 For 1 or 2 shutters sliding doors
- 2 No need of management electronics
- 3 Mechanical closure at shutters approach
- 4 For motorized sliding doors or sliding gates
- 5 To be matched with intercom and access control system



NEW



Art.

22800M

Description

FAIL SECURE CABINET LOCK - MOTORISED

Housing in black ABS

Fail locked - motor operated.

It includes lock and door status monitoring outputs

Operating voltage : 12-28 Vac/dc – Absorbed current : 165mA

Holding force: 100Kg

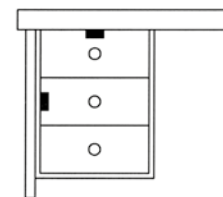
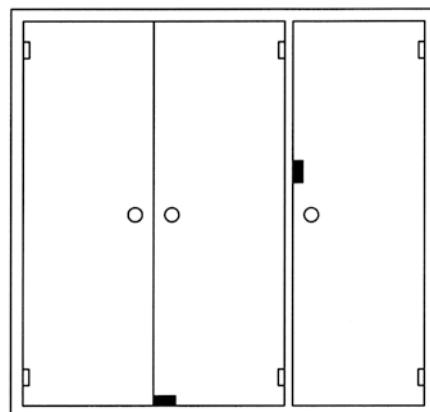
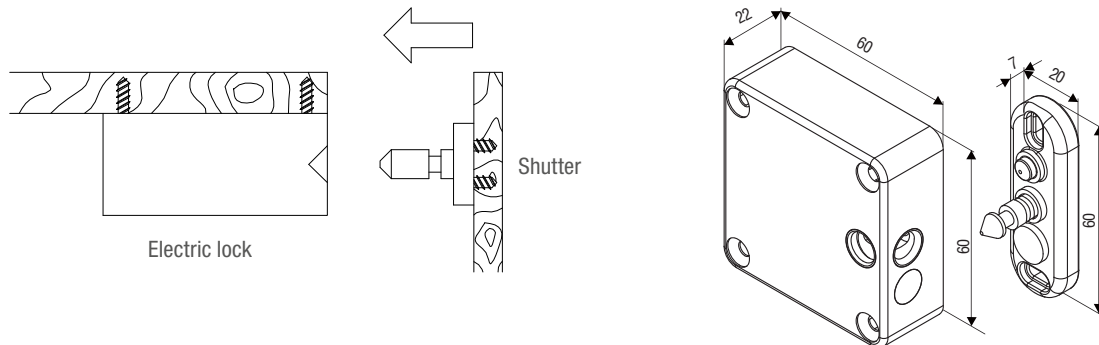
Can be fitted to drawers, filing cabinets, drug cabinets, gym lockers

Compatible with existing keypads or readers

Can be integrated with access control system

Operating temperature range: -10°C +45°C

Adjustable re-locking time from 2 to 5 sec



ELECTRIC LOCKS FOR ARMORED CABINETS SERIES ARCA KEY

Common characteristics: Stainless steel body. Nicked tempered steel block pin on stainless steel counterplate. Strength of resistance to breaking and entering: 800 kg. Insertion of the front panel block pin.

Use: safety closure, can be electrically controlled for the closing of cabinet doors and safety lockers.

Art.	Description
------	-------------

SECURITY ELECTRIC LOCK

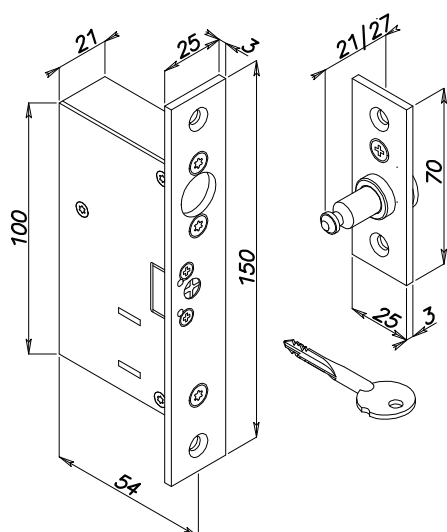
Locked without power supply
 Stainless steel front plate
 Stainless steel counterplate, extension can be adjusted from 21 to 27 mm
 Pin diameter 9.5 mm. extension 25 mm
 Power supply: 12 or 24 Vdc
 Current absorbed: 1,000 mA at 12 V/500 mA at 24 V
 Opening: limited to the duration of the impulse with current limiter
 C. / N.A. / N.C. microswitch of inserted pin position

22912

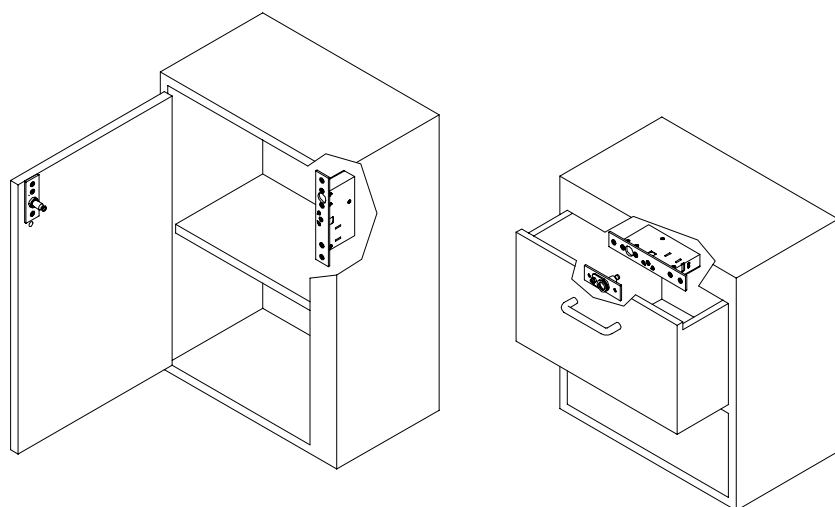
22924

22912CS

22924CS

Power supply: 12 VdcPower supply: 24 VdcPower supply: 12 Vdc – with pin cylinder for opening with keyPower supply: 24 Vdc – with pin cylinder for opening with keyCruciform
key opening

APPLICATIONS EXAMPLES



Common characteristics: Stainless steel body. Nicked tempered steel block pin on stainless steel counterplate. Strength of resistance to breaking and entering: 800 kg. Insertion of the front panel block pin.

Use: safety closure, electrically controllable for the closing of sliding doors, including external ones exposed to weather.

Art.	Description
SECURITY ELECTRIC LOCK FOR SLIDING DOORS	
Mechanical opening with European cylinder. Locked without power supply Stainless steel front plate. Stainless steel counterplate Counterlock with pin release system when the door is ajar Pin diameter 9.5 mm, extension 25 mm Power supply: 12 or 24 Vdc Current absorbed: 1,000 mA at 12 V / 500 mA at 24 V Opening: limited to the duration of the impulse with current limiter Entrance: 28 mm C. / N.A. / N.C. microswitch of inserted pin position	
23822	<u>Power supply: 12Vdc</u>
23824	<u>Power supply: 24Vdc</u>
23822FG	<u>Power supply: 12Vdc – with hold open function</u>
23824FG	<u>Power supply: 24Vdc – with hold open function</u>
MECHANICAL VERSION	
23800	<u>With Euro-profile cylinder facilities</u>
23800FG	<u>With Euro-profile cylinder facilities and hold open function</u>
Art. + CF	<u>Fix counterplate – spare part (ex. 23822CF)</u>
Art. + CS	<u>Counter lock – spare part (ex. 23822CS)</u>
02238CF	<u>Fix counterplate – spare part</u>
02238	<u>Counter lock – spare part</u>

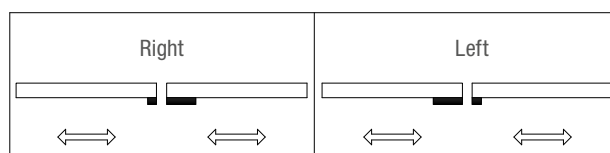


CF

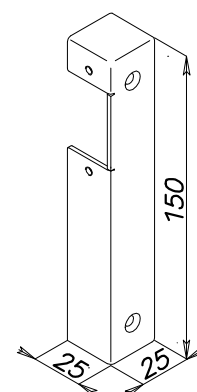
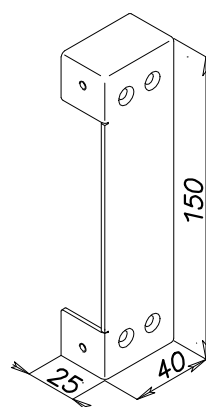
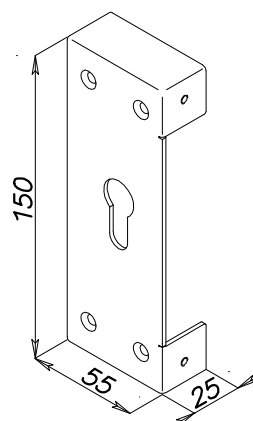
CARTER FOR SURFACE FITTING - ARCA KEY AND ARCA SLIDE

Lock and armature plate carter body in Stainless Steel
Euro-profile cylinder facilities
Backset: 28mm

- 02308.1 with standard counterplate – Right hand
 02308.2 with standard counterplate – Left hand
 02308.1CF with fix counterplate – Right hand
 02308.2CF with fix counterplate – Left hand



Carter handing



02308

02308CF



ELECTRIC LOCKS FOR SLIDING DOORS SERIES ARCA SLIM

Common features: Stainless steel body. Nickel plated hardened steel block pin on stainless steel counterplate Strength of resistance to breaking and entering: 800 kg. Insertion of the front panel block pin.

Use: security locking, electrically controllable for the closing of sliding doors, including external ones exposed to weather.

NEW



Art.

Description

SECURITY ELECTRIC LOCK

Mechanical opening with European cylinder

Locked without power supply

Front panel lock and stainless steel counterplate

Counterplate with pin release system when the door is ajar

Pin diameter 9.5 mm, extension 25 mm.

Opening: limited to the duration of the impulse with current limiter.

Entrance: 20 mm.

C. / N.A. / N.C. microswitch of inserted pin position

FAIL SAFE

23622S

Power supply : 12Vdc – 1A

23624S

Power supply : 24Vdc – 500mA

FAIL SECURE

23822S

Power supply : 12Vdc – 1A

23824S

Power supply : 24Vdc – 500mA

Art. + CF

Supplied with fix counterplate

Art. + CS

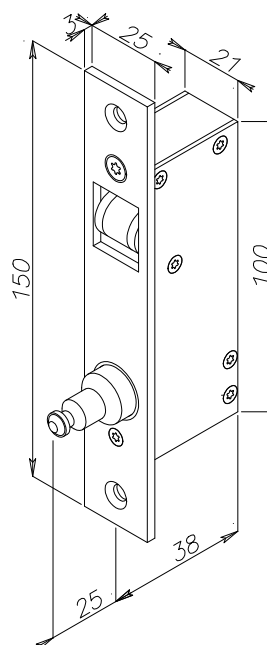
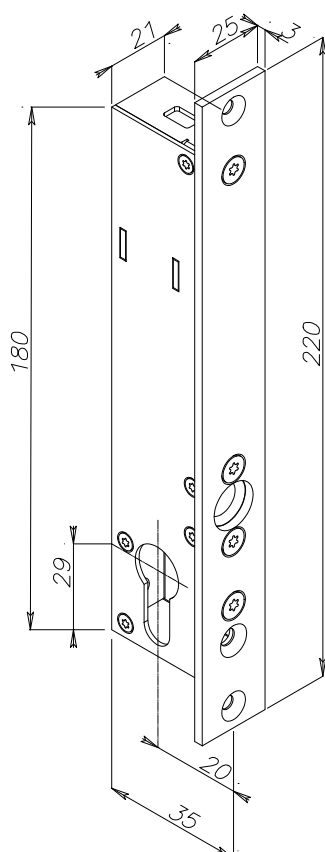
Supplied with pin cylinder

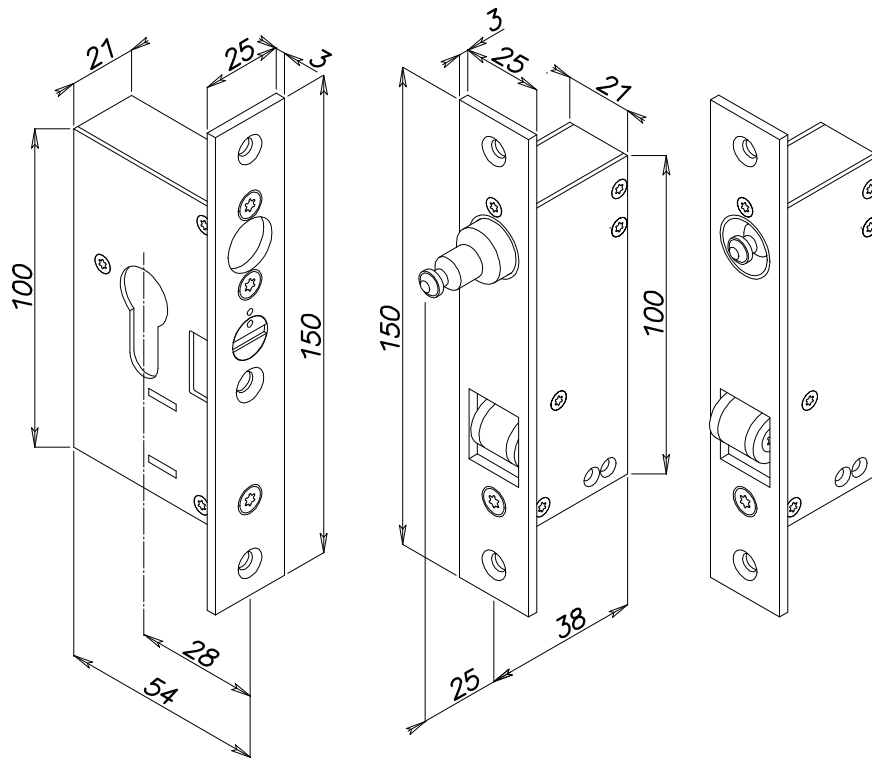
02238CF

Fix counterplate – spare part

02238S

Counter lock – spare part





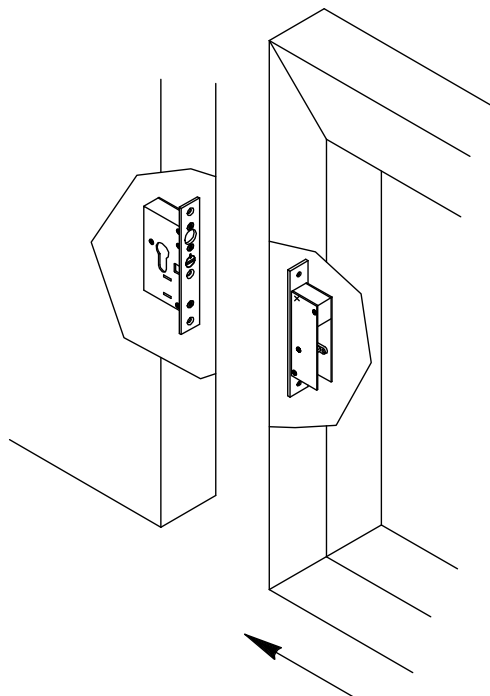
Counterlock system



when the door is closed



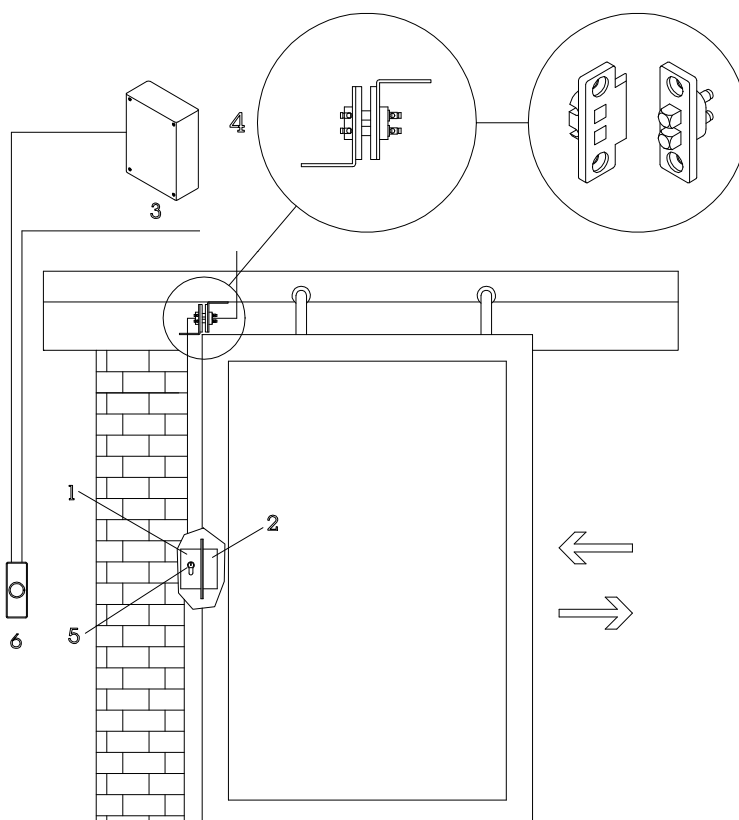
when the door is open



SEE APPLICATION EXAMPLE

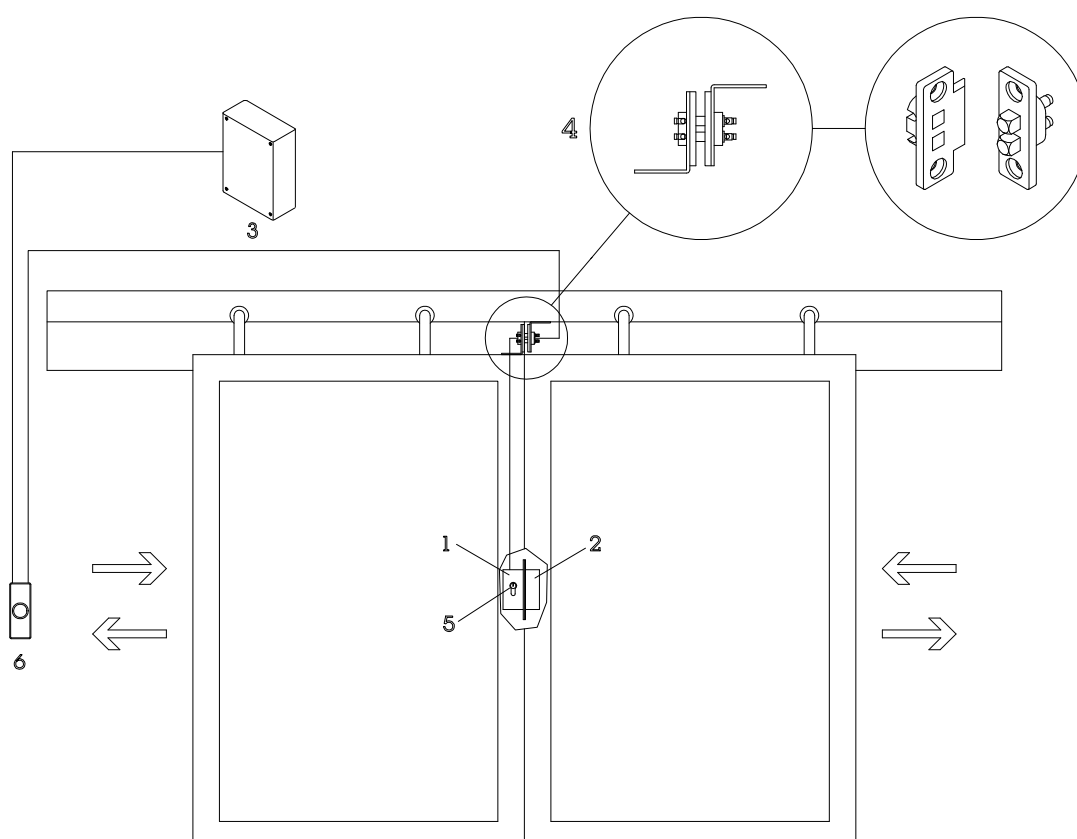


1 shutter sliding door

**LEGENDA**

- 1 Arca Slide
- 2 Striking plate
- 3 Power supply
- 4 Tappet contacts
- 5 European cylinder
- 6 Button

2 shutters sliding doors

**LEGENDA**

- 1 Arca Slide
- 2 Striking plate
- 3 Power supply
- 4 Tappet contacts
- 5 European cylinder
- 6 Button



Art.	Description
23000	<p>ELECTROMECHANICAL LOCK FOR DOUBLE ACTION DOORS</p> <p>Mechanical opening with European type cylinder Front plate and strike plate in stainless steel Reversible latch with mechanical block in closed position Striking plate device to block the latch in the closed position Latch dimensions (mm): 26 x 15.5 x extension 13 Operating voltage: 12/24 Vac/dc Absorbed current: 280 mA at 12 Vdc – 140 mA at 24 Vdc Version: fail unlocked (closed with power) and fail locked (open with power) selectable Backset (mm): 30 Latch blocked/released status contact C. / N.O. / N.C. Supplied with 2 striking plates – 1 for regular swing door, 1 for double swing action door</p> <p>Use: electromechanical lock ideal for operation on double action doors (opening in both directions). The door is reclosed automatically when it approaches by pressing on the special mechanical alignment device.</p> <p>On request: as the opening of the electromechanical lock is limited to the duration of the electric pulse (security version) or the lack of power (fail unlocked version), we recommend using the timer board item 51500 (pag. 43) to time release the lock (usable only if the electromechanical lock is powered with 12 Vdc). If powered with 24 Vdc, other time release devices available on the market and not provided by us must be used.</p>



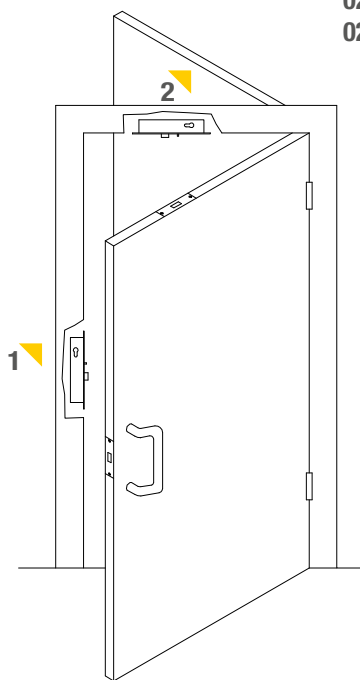
STRIKING PLATE - REPLACEMENT

02300

02301

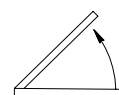
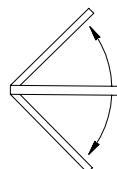
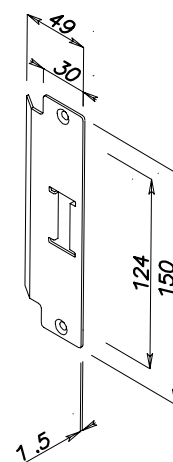
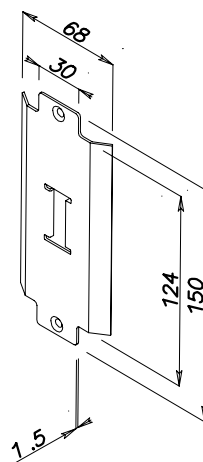
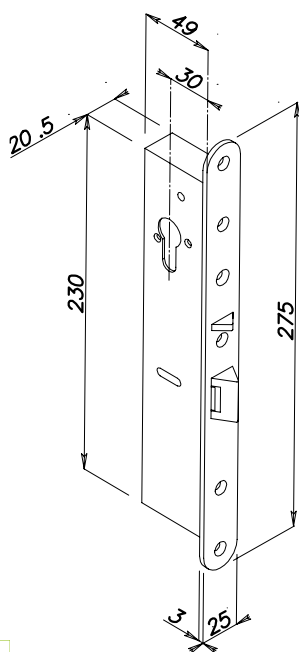
Striking plate mm 150 x 68 x 1,5 for double action doors


Striking plate mm 150 x 49 x 1,5 for normal swing doors




APPLICATION EXAMPLE

- 1 Mounting on vertical frame
- 2 Mounting on horizontal frame



Art.	Description
<p data-bbox="419 300 485 324">54610</p> 	<p data-bbox="595 300 951 324">ELECTRONIC CONTROL UNIT</p> <p data-bbox="595 333 908 358">For management of one door</p> <p data-bbox="595 367 1090 392">Box in beige ABS, dimensions (mm) 240 x 150 x 48</p> <p data-bbox="595 400 919 425">Operating voltage: 12/24 Vac/Vdc</p> <p data-bbox="595 434 954 459">Absorbed current: 60 mA in stand-by</p> <p data-bbox="595 468 954 492">Microprocessor command electronics</p> <p data-bbox="595 501 1098 526">Ready for interlocking connection of 2 or more doors</p> <p data-bbox="595 544 874 568">Inputs with N.O. contacts for:</p> <ul data-bbox="595 577 767 763" style="list-style-type: none"> - Opening - Blocking - Emergency - Alarm reset - Deadbolt position - Door position <p data-bbox="595 781 679 806">Outputs:</p> <ul data-bbox="595 815 1238 904" style="list-style-type: none"> - C./N.A./N.C relay for connection to Red/Green indicator lamps - C./N.A alarm relay for Prolonged Opening of the door, Fault. <p data-bbox="595 878 1238 902">Emergency, simultaneous Opening of 2 or more doors if interlocked</p> <p data-bbox="595 925 1276 985">Possibility of connection in cascade to interlock several doors with each other (to be connected one for each door to be controlled)</p> <p data-bbox="595 1005 1228 1030">Push buttons for monitoring and adjustment of the following times:</p> <ul data-bbox="595 1039 1123 1128" style="list-style-type: none"> - Relocking from 0 - 5 seconds upon approach of the door - Relocking from 0 - 60 seconds if the door is not opened - Prolonged door opening alarm from 0 - 120 seconds <p data-bbox="595 1149 1289 1270">Use: electronic control unit for timed and/or interlocking management of security electromagnets art. 12800M, 13500M, 13100, 13700 and 142, solenoid lock series art. 20610, 20810, 20911, 20913, 21610, 21614, 21810, 21814, 21911, 21915, electric strikes series 346 and 348.</p>

<p data-bbox="419 1312 485 1337">54710</p> 	<p data-bbox="595 1312 951 1337">ELECTRONIC CONTROL UNIT</p> <p data-bbox="595 1346 922 1370">For management of two doors</p> <p data-bbox="595 1379 1090 1404">Box in beige ABS, dimensions (mm) 240 x 150 x 48</p> <p data-bbox="595 1413 919 1438">Operating voltage: 12/24 Vac/Vdc</p> <p data-bbox="595 1447 954 1471">Absorbed current: 80 mA in stand-by</p> <p data-bbox="595 1480 1002 1505">Internal microprocessor control electronics</p> <p data-bbox="595 1514 1251 1574">Same electrical and operational characteristics as Art. 54610 but for management of 2 doors in single or interlocking configuration</p> <p data-bbox="595 1592 1289 1713">Use: electronic control unit for timed and/or interlocking management of security electromagnets art. 12800M, 13500M, 13100, 13700 and 142, solenoid lock art. 20610, 20810, 20911, 20913, 21610, 21614, 21810, 21814, 21911, 21915, electric strikes series 346 and 348.</p>
--	--



Art.	Description
------	-------------



54611A
54612A
54613A
54614A

UNIVERSAL COMMAND CONSOLE CONTROL SYSTEM

Aluminium console box in black
with silk screened polycarbonate panel
Membrane button with touch effect
Dimensions (mm): 195 x 160 x 50 (1 and 2 door versions)
Dimensions (mm): 300 x 160 x 50 (3 and 4 door versions)
Operating voltage: 12/24 Vac/Vdc
Connections via screw terminal block
N.O. inputs for command of door Opening from console
N.O. inputs for command of door Opening from external push buttons or sensitive handles
N.O. input for Reset command
N.O. input for Block command
N.O. / + 12 Vdc Input for alarm activation
N.O./N.C. input with memory for management of the interlock with insertion of a Metal-Detector *
N.O./N.C. input for presence of persons inside the interlock for automatic operation *
ON/OFF key switch for turning off system via external relay (i.e. item REL12V)
Manual, Automatic, Emergency key switch
Automatic operation selectable in 4 modes:
mono-directional, bi-directional, first door open, from external push button / sensitive handle on the doors*

Optical signalling:
Red/Green LED for Open/Closed lock status indication
Red/Green LED for Open/Closed door status indication
Alarm, Reset, Presence of Persons, Automatic, Emergency, Block, Metal-Detector, Power / Low Battery Alarm LEDs
Internal buzzer (can be deactivated) for acoustic signalling of pressing of push buttons, for signalling of an active alarm and low battery
* Functions enabled in 2 - 3 and 4 door consoles for interlocking operation

For 1 door
For 2 doors
For 3 doors
For 4 doors

Use: universal console for door command

Can be connected to: solenoid lock Prima and Classica series, electronics Art. 54610, Art. 54710 combined with Safety, Omnia 1,000, Quadra, Quadra Micro series closing systems, with electronics Art. 54250 and 54255 with motorised electric lock Maxima series 25500



REL12V

REL24V

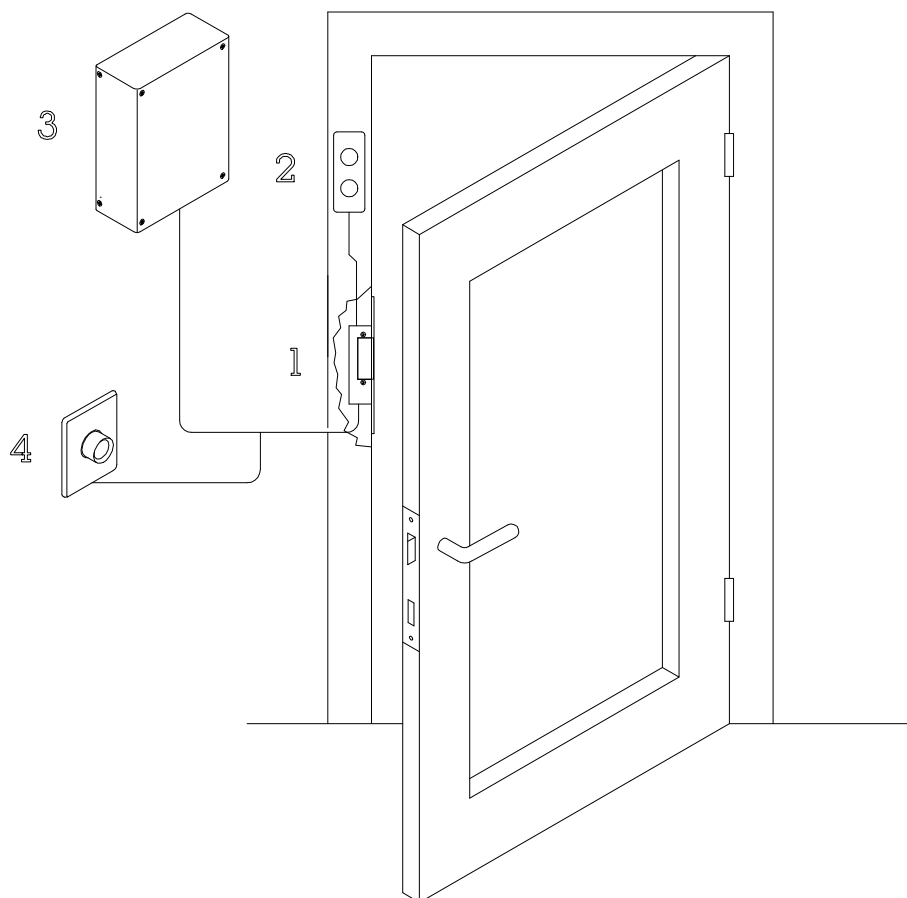
SERVICE RELAY

Relay with polarized activation coil at 12 Vdc/90 mA
Double switching C./N.O./N.C. - Contacts rating 10 A @ 250 Vac

Relay with polarized activation coil at 24 Vdc / 50 mA
Double switching C./N.O./N.C. - Contacts rating 10 A @ 250 Vac

Use: can be used as relay for turning on and off the system via ON/OFF key switch on the console (or for other uses where required)

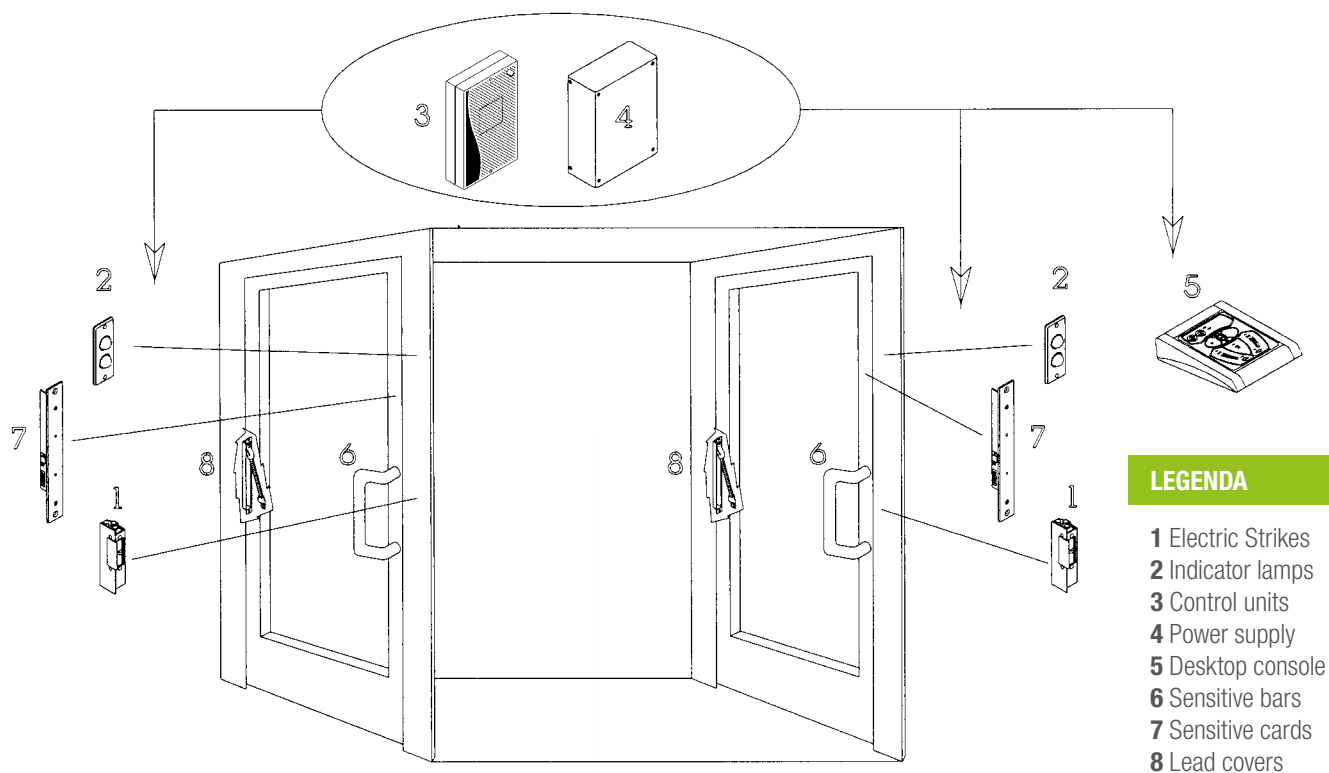
CLOSING SYSTEM WITH SECURITY ELECTRIC STRIKE OMNIA 1.000



LEGENDA

- 1 Security electric strike
- 2 Indicator lamp
- 3 Power supply
- 4 Remote opening button

INTERLOCKED DOORS SYSTEM WITH ELECTRIC STRIKES OMNIA 1.000 SERIE



LEGENDA

- 1 Electric Strikes
- 2 Indicator lamps
- 3 Control units
- 4 Power supply
- 5 Desktop console
- 6 Sensitive bars
- 7 Sensitive cards
- 8 Lead covers



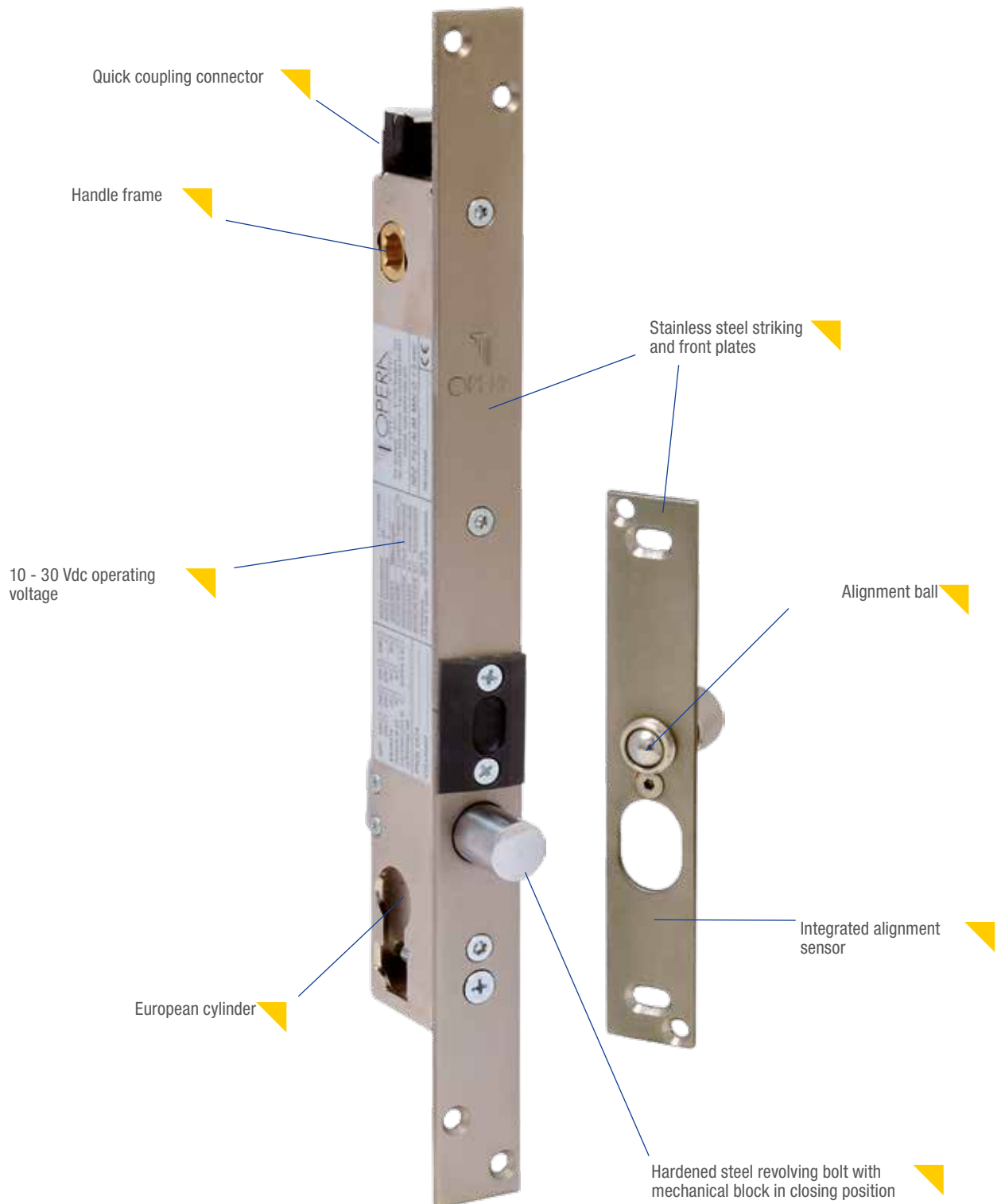


IPRIMA

- ▶ SECURITY SOLENOID LOCKS
- ▶ ANTI CUTTING AND ANTI BREAKING AND ENTERING REVOLVING BOLT
- ▶ MANUAL ACTIVATION WITH EUROPEAN CYLINDER AND HANDLE
- ▶ FOR AN INTENSIVE AND CONTINUOUS USE
- ▶ IDEAL FOR STEEL OR ALUMINIUM DOORS
- ▶ SINGLE OR INTERLOCKED CONFIGURATION







PLUS

- ▶ Security solenoid lock
- ▶ Hardened steel revolving bolt with mechanical block
- ▶ Fail safe or fail secure versions without power
- ▶ Internal microprocessor control electronics
- ▶ High resistance to breaking and entering
- ▶ Mechanical opening with European cylinder or handle
- ▶ Automatic closing with adjustable timing



SINGLE DOOR WITH SOLENOID LOCK

INTERNAL OPENING



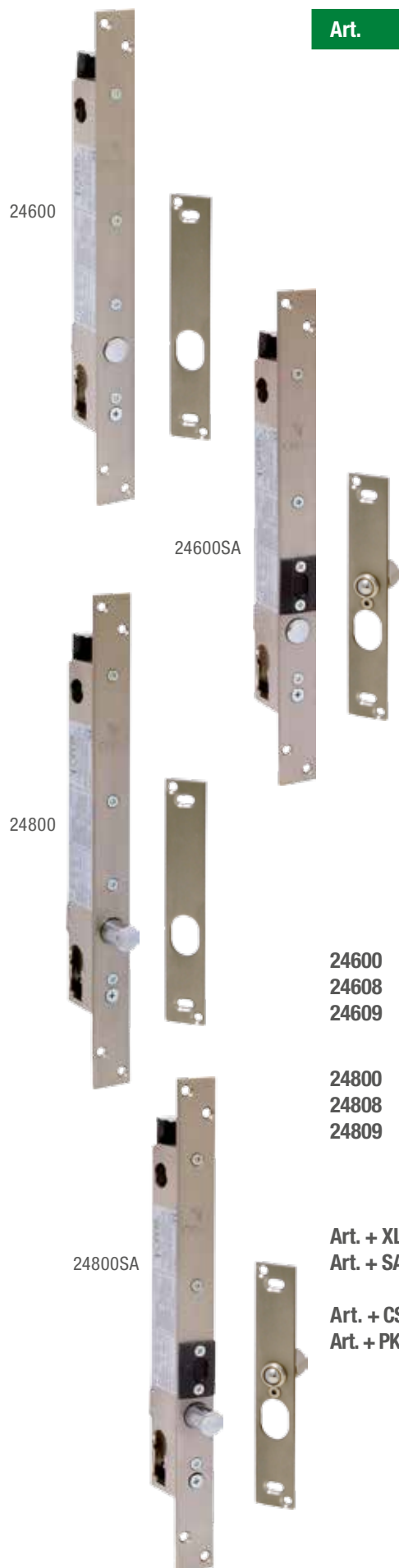
EXTERNAL OPENING



PLUS EXAMPLE

- ▶ Solenoid lock to be mounted on emergency exits
- ▶ To be mounted on the frame or on the shutter
- ▶ Single door operating system (condominiums, offices, companies.)
- ▶ Interlocked doors operating system (banks, jewelries, corporations)
- ▶ To be matched with intercom and access control systems





Art.	Description
------	-------------

SOLENOID BOLT FOR INTERLOCKING SYSTEMS

Mechanical opening with European type cylinder

(cylinder with internal knob not usable)

Striking plate in stainless steel (mm) 320 x 25 x 3

Armature plate in stainless steel (mm) 150 x 25 x 3 with alignment magnet

Revolving bolt in anti-cutting hardened steel with mechanical block in closed position

Deadbolt dimension (mm): extension 20 (25 in the XL version), diameter 16

Lock body dimensions on page 140

Operating voltage: from 10 to 30 Vdc

Absorbed current: 2.5/3 A peak

130/230 mA for maintenance with electronic control

Internal microprocessor control electronics

Rapid plug-in connector

Ready for interlocking connection of 2 or more doors

N.O. Opening, Block, Emergency and Alarm Reset Controls

Deadbolt position contact C. / N.O. / N.C

Door position contact N.O. for the Open / Closed monitoring function or for

use on an external door alignment sensor

Open Collector Alarm contact for Prolonged Opening from 0 to 120

seconds, Fault, Emergency, simultaneous Opening of 2 or more doors if in interlocked configuration

Opto-electronic bolt position control

Magnetic door position sensor

Push buttons for monitoring and adjustment of relocking times from 0-5 seconds upon approach of the door and from 0-60 seconds if the door is not opened

The timings can be disabled for use of the solenoid bolt with external control electronics

Push button for monitoring and adjustment of the Prolonged Door Open

Alarm trigger (function can be disabled)

Vertical mounting (Horizontal mounting on demand see page 139)

Fail unlocked deadbolt open without power

Without handle frame

24600

With handle frame (mm) 8

24608

With handle frame (mm) 9

24609

Fail locked deadbolt closed without power

Without handle frame

24800

With handle frame (mm) 8

24808

With handle frame (mm) 9

24809

Backsets available (mm): 25 - 30 - 35 - 60

Options On request:

Extended deadbolt + 5 mm.

Art. + XL

Solenoid bolt with anti-rebound ball-catch mounted directly on the Armature plate with the slide in ABS on the striking plate

Art. + SA

Solenoid bolt for pin key inserted (available backsets 27, 32 and 37)

Art. + CS

Solenoid bolt prepared to accept the swiss round cylinder 22mm diam. Only available in backset 35mm – supplied without cylinder

Art. + PK

Extra charge for backset 60mm

Packaging: solenoid bolt, armature plate, cylinder screw and connector



INTERLOCKING KITS WITH VERTICAL SECURITY SOLENOID BOLTS PRIMA SERIES

Art.	Description
	<p>KIT FOR INTERLOCKING SYSTEM EXAMPLE 1</p> <p>Features: Management of the doors with manual opening by means of console push buttons</p> <p>Kit is made up of:</p> <ul style="list-style-type: none"> 2 Solenoid bolts series 24600 or 24800 (specify backset) 1 Power supply item 05320A or 05312A (in box with space for battery) 1 Command console item 54612A 2 Concealed cable covers (with lock mounted on the door) item 08600 1 Backup battery item 00712
	<p>KIT FOR INTERLOCKING SYSTEM EXAMPLE 2</p> <p>Features: Management of the doors with manual opening by means of console push buttons</p> <p>Indicator lamp signalling to be inserted on the door post to support management of opening to the public.</p> <p>Kit is made up of:</p> <ul style="list-style-type: none"> 2 Solenoid bolts series 24600 or 24800 (specify backset) 1 Power supply item 05320A or 05312A (in box with space for battery) 1 Command console item 54612A 4 Indicator lamps item 55010 (Silver or Black) or 55030 2 Concealed cable covers (with lock mounted on the door) item 08600 1 Backup battery item 00712
	<p>KIT FOR INTERLOCKING SYSTEM EXAMPLE 3</p> <p>Features: Management of the doors with manual opening by means of console push buttons</p> <p>Indicator lamp signalling to be inserted on the door post to support management of opening and intercom for communication with the public outside.</p> <p>Kit is made up of:</p> <ul style="list-style-type: none"> 2 Solenoid bolts series 24600 or 24800 (specify backset) 1 Power supply item 05320A or 05312A (in box with space for battery) 1 Command console item 54612A 3 Indicator lamps item 55010 (Silver or Black) or 55030 1 Indicator lamp item 55012 (Silver or Black) or 55030 + 55033 1 Intercom handset item 05513 2 Concealed cable covers (with lock mounted on the door) item 08600 1 Backup battery item 00712
	<p>KIT FOR INTERLOCKING SYSTEM EXAMPLE 4</p> <p>Features: Management of the doors with manual opening by means of console push buttons and automatic opening by means of external push buttons on the indicator lamps.</p> <p>Indicator lamp signalling to be inserted on the door post to support management of opening and intercom for communication with the public outside.</p> <p>Kit is made up of:</p> <ul style="list-style-type: none"> 2 Solenoid bolts series 24600 or 24800 (specify backset) 1 Power supply item 05320A or 05312A (in box with space for battery) 1 Command console item 54612A 3 Indicator lamps with push buttons item 55011 (Silver or Black) or 55031 1 Indicator lamp item 55014 (Silver or Black) or 55031 + 55033 1 Intercom handset item 05513 2 Concealed cable covers (with lock mounted on the door) item 08600 1 Backup battery item 00712



Art.	Description
------	-------------

SOLENOID BOLT FOR SINGLE DOOR

Mechanical opening with European type cylinder

(cylinder with internal knob not usable)

Striking plate in stainless steel (mm) 320 x 25 x 3

Armature plate in stainless steel (mm) 150 x 25 x 3 with alignment magnet

Revolving bolt in anti-cutting hardened steel with mechanical block in closed position

Deadbolt dimension (mm): extension 20 (25 in the XL version), diameter 16

Lock body dimensions on page 140

Operating voltage: From 10 to 30 Vdc

Absorbed current: 2.5/3 A peak - 130/230 mA for maintenance with electronic control

Internal microprocessor control electronics

Rapid plug-in connector

Ready for interlocking connection of 2 or more doors

N.O. Opening control

Deadbolt position contact C. / N.O. / N.C

Opto-electronic bolt position control

Magnetic door position sensor

Push buttons for monitoring and adjustment of relocking times from 0-5 seconds upon approach of the door and from 0-60 seconds if the door is not opened

The timings can be disabled for use of the solenoid bolt with external control electronics

Vertical mounting (horizontal on demand see page 139)

Fail unlocked deadbolt open without power:

Without handle frame

With handle frame (mm) 8

With handle frame (mm) 9

Fail locked deadbolt closed without power:

Without handle frame

With handle frame (mm) 8

With handle frame (mm) 9

Backsets available (mm): 25 - 30 - 35 - 60

Options On request:

Extended deadbolt + 5 mm.

Solenoid bolt with anti-rebound ball-catch mounted directly on the Armature plate with the slide in ABS on the striking plate

Solenoid bolt for pin key inserted

(available backsets 27, 32 and 37)

Solenoid bolt prepared to accept the swiss round cylinder 22mm diam. Only available in backset 35mm – supplied without cylinder)

Extra charge for backset 60 mm

Packaging: solenoid bolt, armature plate, cylinder screw and connector



25808 60

VERTICAL SECURITY SOLENOID LOCKS WITH LATCH PRIMA BASE SERIES



Art.	Description
------	-------------

SOLENOID BOLT FOR SINGLE DOOR

Mechanical opening with European type cylinder
(cylinder with internal knob not usable)
 Striking plate in stainless steel (mm) 320 x 25 x 3
 Armature plate in stainless steel (mm) 150 x 25 x 3
 Reversible anti-cutting latch in hardened steel
 Lock body dimensions on page 140
 Latch dimensions (mm): 16 (diameter) x 14 x 16 extension
 Operating voltage: from 10 to 30 Vdc
 Absorbed current: 2.5/3 A peak - 130/230 mA for maintenance with electronic control
 Internal microprocessor control electronics
 Rapid plug-in connector
 N.O. Opening control
 Monitored latch position contact C. / N.O. / N.C
 Opto-electronic Monitored latch position control
 Push button for monitoring and adjustment of the latch protrusion time from 0-60 seconds
 The timing can be disabled for use of the solenoid bolt with external control electronics

- 25900**
- 25908**
- 25909**

Fail locked latch closed without power:

- Without handle frame
- With handle frame (mm) 8
- With handle frame (mm) 9

- Art. + SA**
- Art. + CS**
- Art. + PK**

Shabbat version on demand

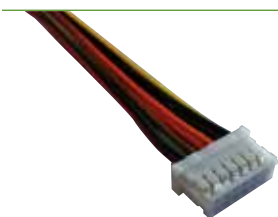
Backsets available (mm): mm 25 - 30 - 35 - 60

Options On request:

- Solenoid bolt with anti-rebound ball-catch mounted directly on the armature plate with the slide in ABS on the striking plate
- Solenoid bolt for pin key inserted (available backsets 27, 32 and 37)
- Solenoid bolt prepared to accept the swiss round cylinder 22mm diam. Only available in backset 35mm – supplied without cylinder

Extra charge: for backset 60mm

Packaging: solenoid bolt, armature plate, cylinder screw and connector

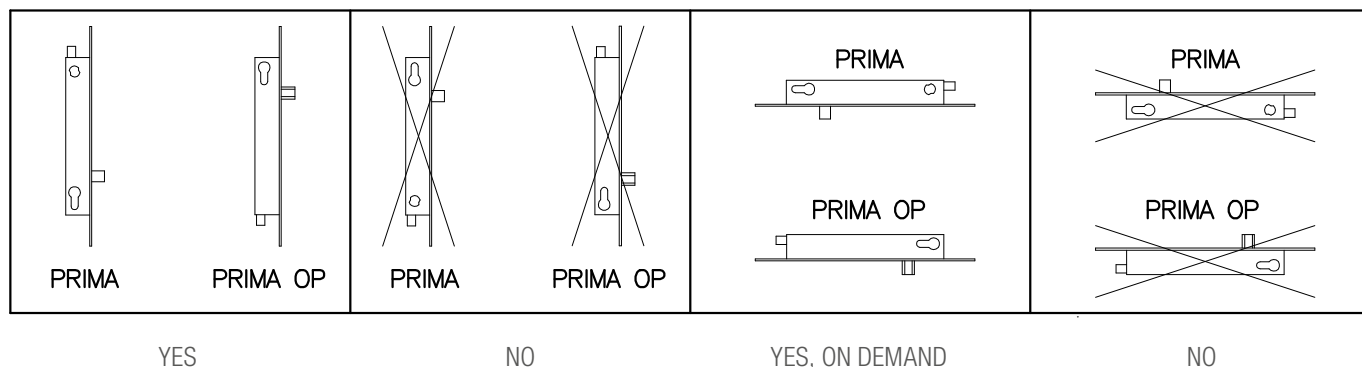


- CC090**
- CC091**

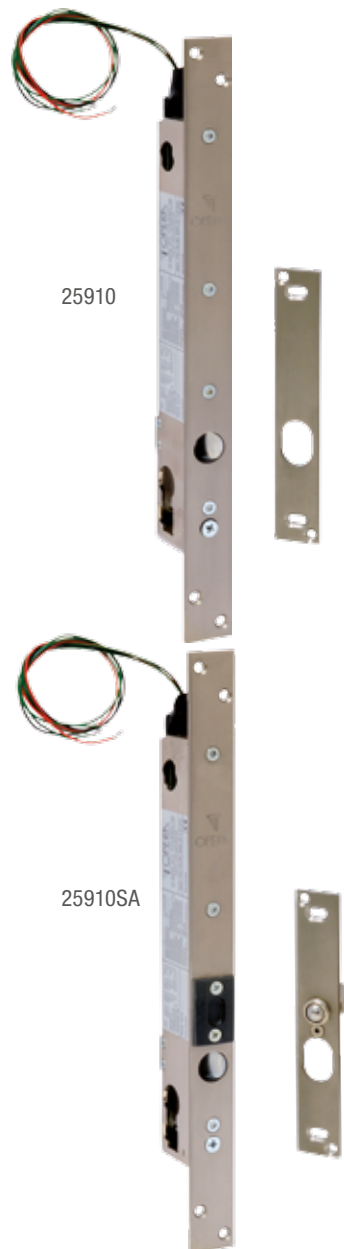
CONNECTORS - REPLACEMENT

- Connector 9 wires for locks ref 256 - 258 - 259 - 278 - 279 - OP SERIES
- Connector 14 wires for locks ref 246 - 248 - 268

SOLENOID LOCKS MOUNTING DIRECTION



Art.	Description
------	-------------



FAIL UNLOCKED SOLENOID BOLT FOR SINGLE DOOR

Mechanical opening with European type cylinder
(cylinder with internal knob not usable)
 Striking plate in stainless steel (mm) 320 x 25 x 3
 Armature plate in stainless steel (mm) 150 x 25 x 3
 Reversible anti-cutting latch in hardened steel
 Lock body dimensions – see below
 Latch dimensions (mm): 16 (diameter) x 14 x 16 extension
 Operating voltage: from 10 to 30 Vdc
 Absorbed current: 2.5/3 A peak - 130/230 mA for permanent maintenance with electronic control
 Internal microprocessor control electronics
 N.O. Opening control
 Opto-electronic Monitored latch position control
 Relocking after 5 seconds

25910
25918
25919

Fail unlocked latch closed with power:

Without handle frame
With handle frame (mm) 8
With handle frame (mm) 9

Shabbat version on demand

Backsets available (mm): mm 25 - 30 - 35 - 60

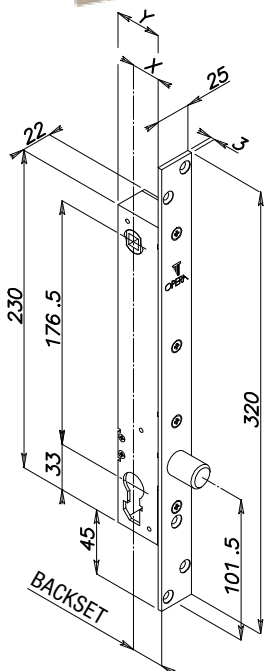
Options On request:

Art. + SA
Art. + CS
Art. + PK

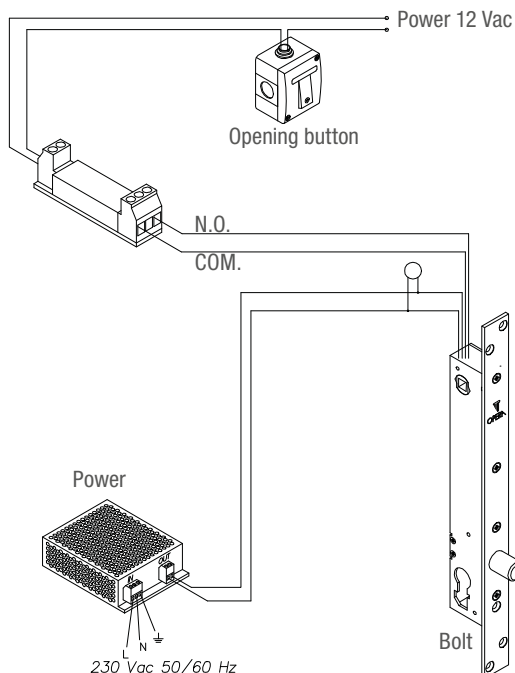
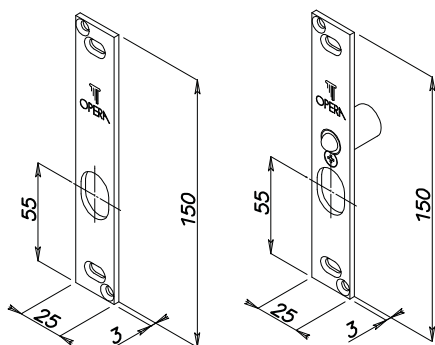
Solenoid bolt with anti-rebound ball-catch mounted directly on the Armature plate with the slide in ABS on the striking plate
Solenoid bolt for pin key inserted (available backsets 27, 32 and 37)
Solenoid bolt prepared to accept the swiss round cylinder 22mm diam. Only available in backset 35mm – supplied without cylinder

Extra charge: for backset 60mm

Packaging: solenoid bolt, armature plate, cylinder screw and connector



BACKSET	X	Y
25	22	35
30	27	40
35	32	45
60	57	70



ACCESSORIES FOR VERTICAL SECURITY SOLENOID LOCKS PRIMA SERIES

Art.	Description
------	-------------



02309.1
02309.2

CARTER FOR VERTICAL SOLENOID LOCK FOR SURFACE FIXING IN CYLINDER / CYLINDER WITH HANDLE VERSION

Bolt and Armature plate carter body in black painted steel
Carter for solenoid lock dimensions (mm): 340 x 46 x 27
Carter for Armature plate dimensions (mm): 340 x 30 x 27

Right hand

Left hand

Identify whether right or left hand according to the table at the bottom of the page
Backsets available (mm): 30



TAMPER DEFENDER

Matt chromium plated body in hardened steel
Rotor in hardened steel
Dimensions (mm): 70 x 30 x 8
Fixing without through bolt holes with burglar block with cylinder inserted
Usable with cylinders which protrude up to 4 mm.
For greater protrusions special 1 mm. shims can be used up to the desired protrusion.

Use: tamper defender for security cylinders

Can be used with all cylinders mounted on electromechanical locks and solenoid locks

02250
02251

Defender

1 mm. shims in steel

05258

RELAY CIRCUIT FOR INTERCOM OPENING COMMAND

Circuit dimensions (mm): 58 x 15 x 18
Input operating voltage: 9 – 12 Vac/Vdc
Output: relay with dry contact C./N.O./N.C . .

Use: this circuit allows the 12 Vac contact to be transformed for activation of the traditional electromechanical lock which comes from the intercom system with N.O. dry contact necessary for activation of the solenoid lock opening command

Can be used with all electromagnets in the Safety series, all solenoid locks in the Quadra series (in combination with their control units), the Prima series, Classica, Maxima series (combined with their control units)



COVER APPLICATION

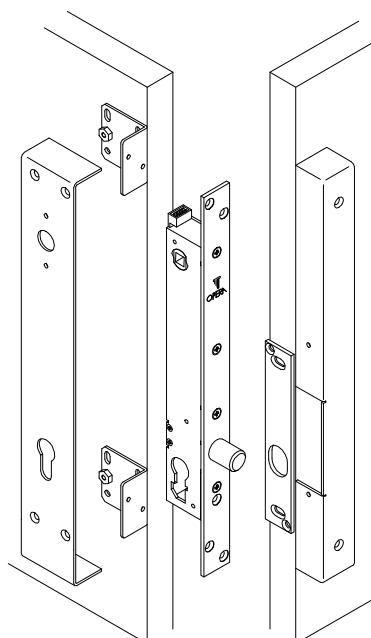


CHART TO IDENTIFY THE HAND OF THE CARTER

RIGHT 	LEFT 	RIGHT 	LEFT
LEFT 	RIGHT 	LEFT 	RIGHT

Bolt carter Striking plate carter



Art.

Description

SOLENOID BOLT FOR SINGLE DOOR**(Spare parts – Interchangeable with Corni type solenoid locks)**

Mechanical opening with European type cylinder

(cylinder with internal knob not usable)

Striking plate in stainless steel (mm) 320 x 25 x 3

Armature plate in stainless steel (mm) 150 x 25 x 3 with alignment magnet

Deadbolt in anti-cutting hardened steel with mechanical block in closed position

Deadbolt dimensions (mm): extension 20, diameter 18 x 14

Operating voltage: from 10 to 30 Vdc

Absorbed current: 2.5/3 A peak - 130/230 mA for permanent maintenance with electronic control

Internal microprocessor control electronics

Rapid plug-in connector

Ready for interlocking connection of 2 or more doors

N.O. Opening control

Deadbolt position contact C. / N.O. / N.C

Opto-electronic bolt position control

Magnetic door position sensor

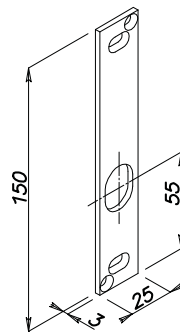
Push buttons for monitoring and adjustment of relocking times from 0-5 seconds upon approach of the door and from 0-60 seconds if the door is not opened

The timings can be disabled for use of the solenoid bolt with external control electronics

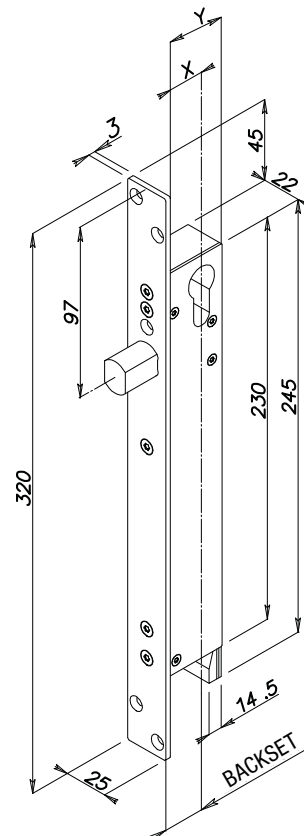
OP55036

**OP55036**Fail unlocked deadbolt open without power**OP55038**Fail locked deadbolt closed without power**Backsets available (mm): 25 - 30 - 35****Packaging:** solenoid bolt, armature plate, cylinder screw and connector


OP55038



BACKSET	X	Y
25	22	35
30	27	40
35	32	45



VERTICAL FAIL LOCKED / FAIL UNLOCKED SOLENOID BOLTS WITH LATCH PRIMA OP SERIES

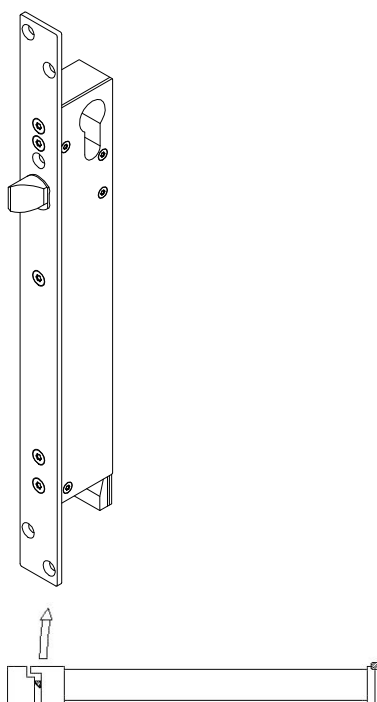
Art.	Description	
 <p>OP5503910</p>	<p>FAIL LOCKED / FAIL UNLOCKED SOLENOID BOLT FOR SINGLE DOOR (Spare parts – Interchangeable with Corni type solenoid locks) Mechanical opening with European type cylinder (cylinder with internal knob not usable) Striking plate in stainless steel (mm) 320 x 25 x 3 Armature plate in stainless steel (mm) 150 x 25 x 3 Latch in anti-cutting hardened steel not reversible (indicate the opening hand – see drawing below) Latch dimensions (mm): 16, diameter 18 x 14 Operating voltage: from 10 to 30 Vdc Absorbed current: 2.5/3 A peak - 130/230 mA for permanent maintenance with electronic control Internal microprocessor control electronics Rapid plug-in connector N.O. Opening control Monitored latch position contact C. / N.O. / N.C. (only for OP55039) Opto-electronic Monitored latch position control Push buttons for monitoring and adjustment of the relocking times from 0-60 seconds The timing can be disabled for use of the solenoid bolt with external control electronics</p>	
 <p>OP55039</p>		
<p>OP55039.1</p>		<p><u>Fail secure - Right hand</u></p>
<p>OP55039.2</p>		<p><u>Fail secure - Left hand</u></p>
	<p>OP5503910.1</p>	<p><u>Fail safe - Right hand</u></p>
	<p>OP5503910.2</p>	<p><u>Fail safe - Left hand</u></p>

Backsets available (mm): mm 25 - 30 - 35

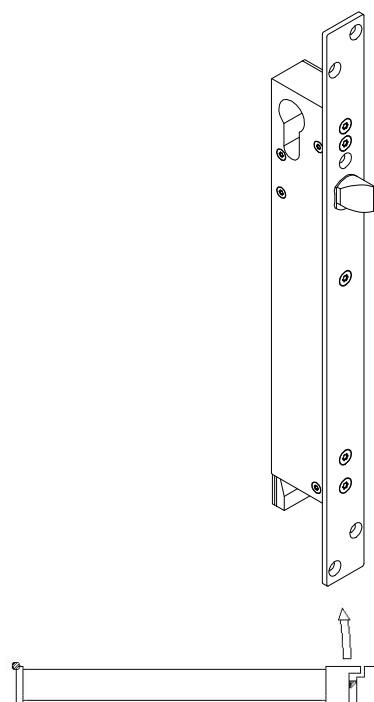
Packaging: solenoid bolt, armature plate, cylinder screw and connector

HANDING

RIGHT



LEFT





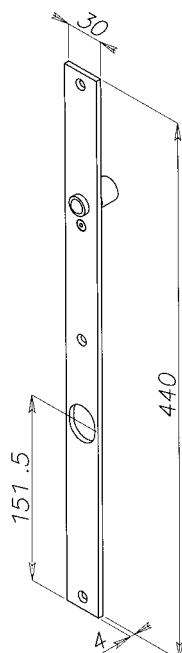
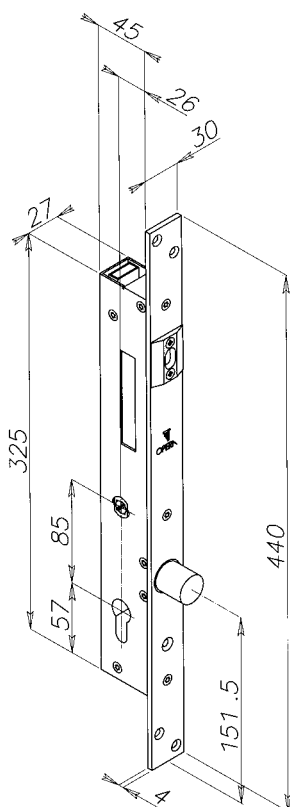
Art.	Description
	<p>SOLENOID BOLT FOR INTERLOCKING DOORS</p> <p>Mechanical opening with European type cylinder (cylinder with internal knob not usable)</p> <p>Striking plate in stainless steel (mm) 440 x 30 x 4</p> <p>Armature plate in stainless steel (mm) 440 x 25 x 4 with alignment magnet</p> <p>Deadbolt in anti-cutting hardened steel with mechanical block in closed position</p> <p>Anti-rebound ball-catch mounted directly on the Armature plate with the slide in ABS on the solenoid lock striking plate</p> <p>Deadbolt dimensions (mm): extension 23, diameter 22</p> <p>Version with handle frame backset with 85 mm. cylinder hole</p> <p>For lock body dimensions see page 145</p> <p>Operating voltage: from 10 to 30 Vdc</p> <p>Absorbed current: 3 A peak - 130/230 mA for permanent maintenance with electronic control</p> <p>Internal microprocessor control electronics</p> <p>Rapid plug-in connector</p> <p>Ready for interlocking connection of 2 or more doors</p> <p>N.O. Opening, Block, Emergency and Alarm Reset Controls</p> <p>Deadbolt position contact C. / N.O. / N.C</p> <p>Door position contact N.O. for the Open / Closed monitoring function or for use on an external door alignment sensor</p> <p>Open Collector Alarm contact for Prolonged Opening from 0 to 120 seconds, Fault, Emergency, simultaneous Opening of 2 or more doors if in interlocked configuration</p> <p>Opto-electronic bolt position control - Magnetic door position sensor</p> <p>Push buttons for monitoring and adjustment of relocking times from 0-5 seconds upon approach of the door and from 0-60 seconds if the door is not opened</p> <p>The timings can be disabled for use of the solenoid bolt with external control electronics</p> <p>Push button for monitoring and adjustment of the Prolonged Door Open Alarm trigger (function can be disabled)</p>
24620	<p>Fail unlocked deadbolt open without power:</p> <p><u>Without handle frame</u></p>
24628	<p><u>With handle frame (mm) 8</u></p>
24820	<p>Fail locked deadbolt closed without power:</p> <p><u>Without handle frame</u></p>
24828	<p><u>With handle frame (mm) 8</u></p>
	<p>Backset available (mm): 30</p>
	<p>Compliance: EN12209 grade 7 burglar</p>
	<p>Packaging: solenoid bolt, armature plate, cylinder screw and connector</p>

Art.

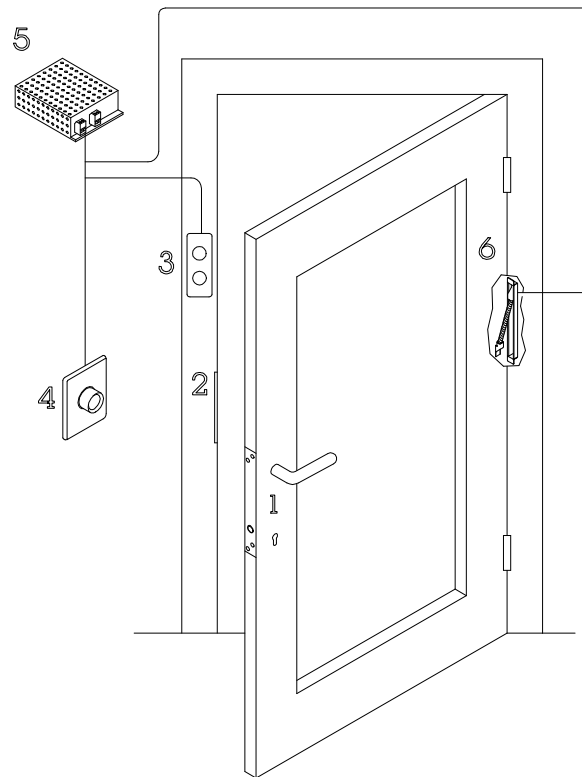
Description

**SOLENOID BOLT FOR SINGLE DOOR**

Mechanical opening with European type cylinder (cylinder with internal knob not usable)
 Striking plate in stainless steel (mm) 440 x 30 x 4
 Armature plate in stainless steel (mm) 440 x 25 x 4 with alignment magnet
 Deadbolt in anti-cutting hardened steel with mechanical block in closed position
 Anti-rebound ball-catch mounted directly on the Armature plate with the slide in ABS on the solenoid lock striking plate
 Deadbolt dimensions (mm): extension 23, diameter 22
 Version with handle frame backset with 85 mm. cylinder hole
 For lock body dimensions see below
 Operating voltage: from 10 to 30 Vdc
 Absorbed current: 3 A peak - 130/230 mA for permanent maintenance with electronic control
 Internal microprocessor control electronics
 Rapid plug-in connector
 Ready for interlocking connection of 2 or more doors
 N.O. Opening control
 Deadbolt position contact C. / N.O. / N.C
 Opto-electronic bolt position control
 Magnetic door position sensor
 Push buttons for monitoring and adjustment of relocking times from 0-5 seconds upon approach of the door and from 0-60 seconds if the door is not opened
 The timings can be disabled for use of the solenoid bolt with external control electronics

25620Without handle frame**25628**With handle frame (mm) 8**Fail locked deadbolt closed without power:****25820**Without handle frame**25828**With handle frame (mm) 8**Backset available (mm): 30****Compliance: EN12209 grade 7 burglar****Packaging:** solenoid bolt, armature plate, cylinder screw and connector

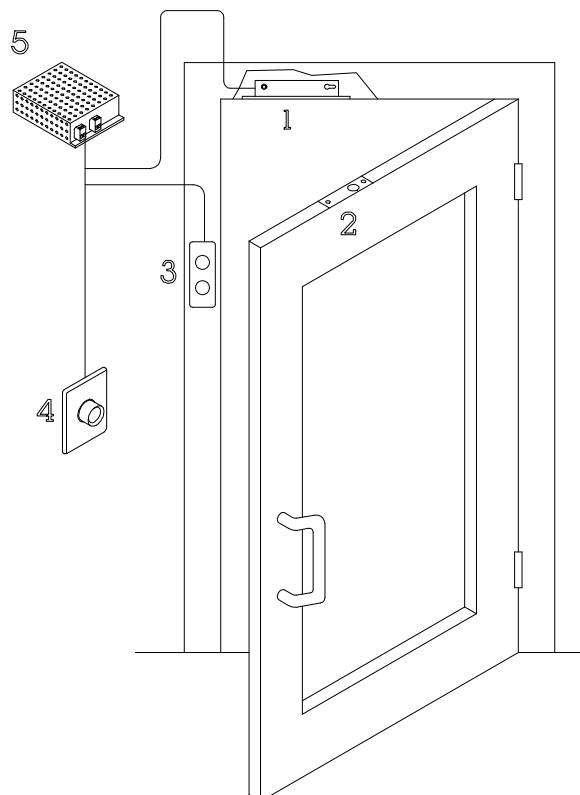
CLOSING SYSTEM WITH PRIMA SERIE SOLENOID LOCK



LEGENDA

- 1 Security solenoid lock
- 2 Striking plate
- 3 Indicator lamps
- 4 Opening button
- 5 Power supply
- 6 Concealed lead cover

CLOSING SYSTEM WITH PRIMA SERIE SOLENOID LOCK MOUNTED ON THE FRAME

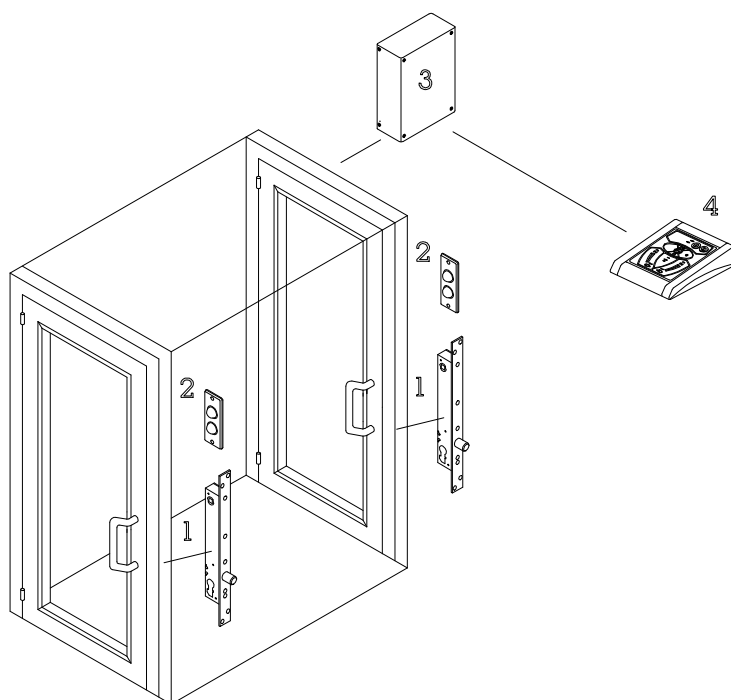


LEGENDA

- 1 Security solenoid lock
- 2 Striking plate
- 3 Indicator lamp
- 4 Opening button
- 5 Power supply



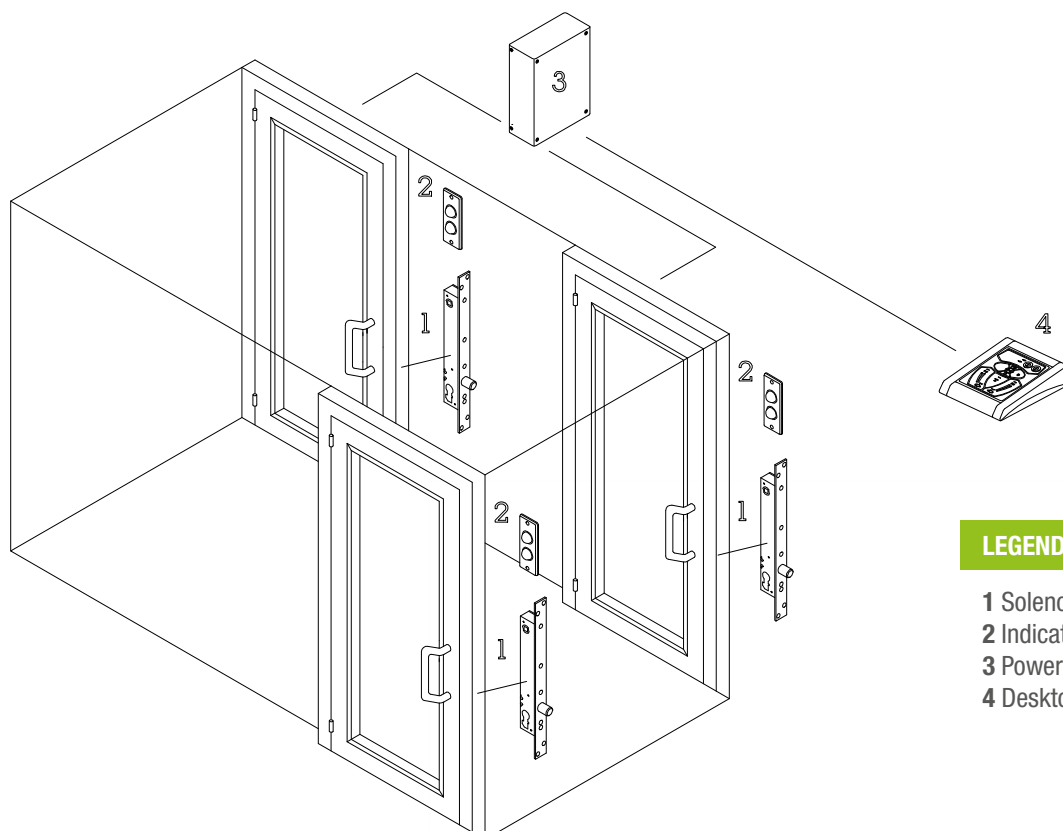
TWO DOORS INTERLOCKING SYSTEM WITH PRIMA SERIE SOLENOID LOCKS



LEGENDA

- 1 Solenoid locks
- 2 Indicator lamps
- 3 Power supply
- 4 Desktop console

THREE DOORS INTERLOCKING SYSTEM WITH PRIMA SERIE SOLENOID LOCKS



LEGENDA

- 1 Solenoid locks
- 2 Indicator lamps
- 3 Power supply
- 4 Desktop console



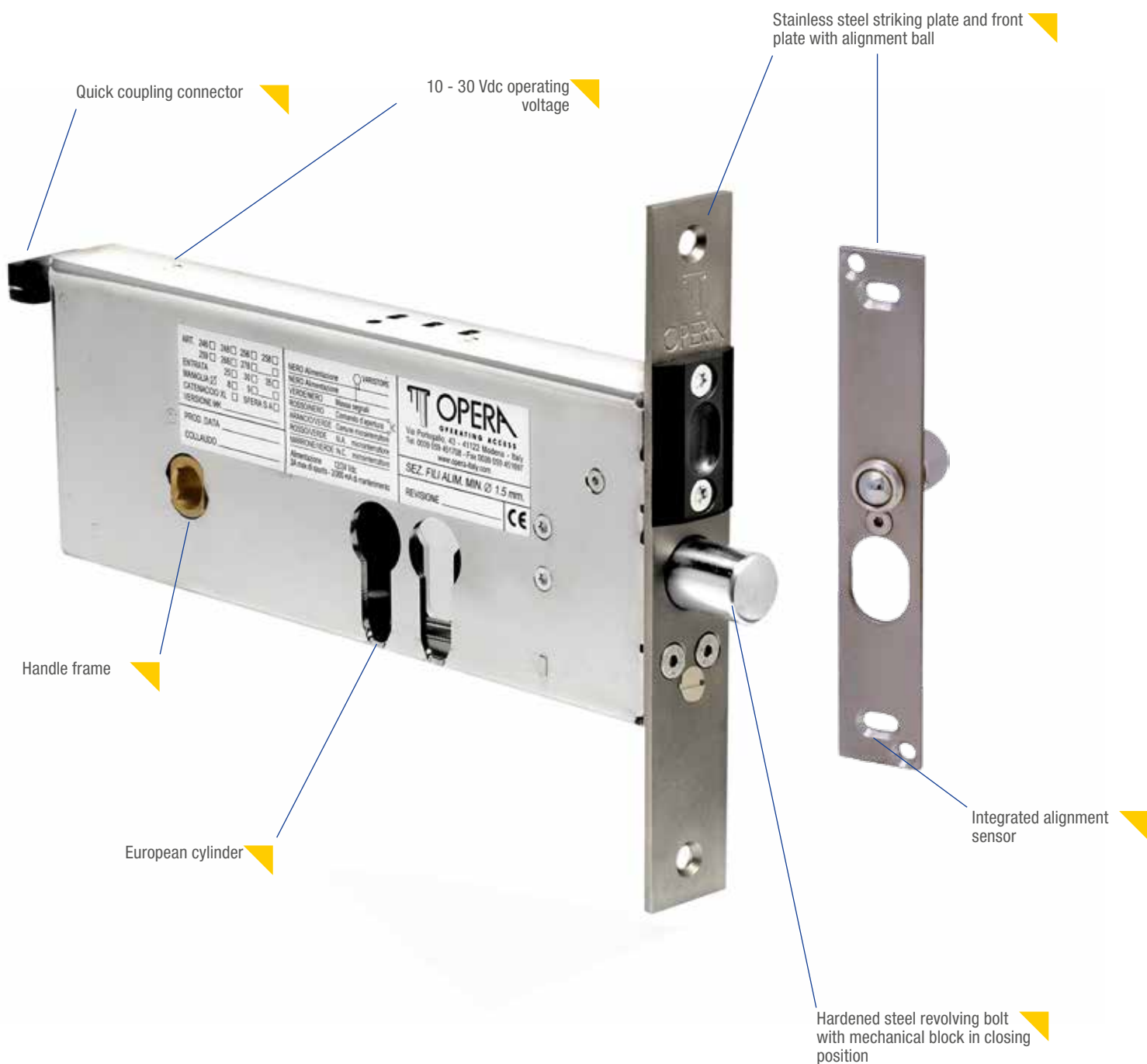


ICLASSICA

- ▶ SECURITY SOLENOID LOCK
- ▶ ANTI CUTTING AND ANTI BREAKING AND ENTERING REVOLVING BOLT
- ▶ MANUAL ACTIVATION WITH EUROPEAN CYLINDER AND HANDLE
- ▶ FOR AN INTENSIVE AND CONTINUOUS USE
- ▶ IDEAL FOR ALUMINIUM OR STEEL DOORS, SINGLE OR INTERLOCKED CONFIGURATION







PLUS

- ▶ Horizontal security solenoid lock for emergency exits
- ▶ Hardened steel revolving bolt with mechanical block in closing position
- ▶ Fail secure deadbolt version without power
- ▶ High resistance to breaking and entering
- ▶ Mechanical opening with European cylinder or handle
- ▶ Automatic closing with adjustable timings



FOR SINGLE DOOR WITH SOLENOID LOCK

INTERNAL OPENING




EXTERNAL OPENING



PLUS EXAMPLE

- ▶ Horizontal security solenoid lock for emergency exits
- ▶ Insertion on the door
- ▶ Single door operating system (condominiums, offices, companies.)
- ▶ Interlocked doors operating system (banks, jewelries, corporations)
- ▶ To be matched with intercom and access control systems



Art.	Description
 <p>26800</p>	<p>MECHANICAL OPENING WITH EUROPEAN TYPE CYLINDER Mechanical opening with European type cylinder (cylinder with internal knob not usable) Striking plate in stainless steel (mm) 160 x 25 x 3 Armature plate in stainless steel (mm) 150 x 25 x 3 with magnet adjustable in extension Revolving bolt in anti-cutting hardened steel with mechanical block in closed position Deadbolt dimension (mm): extension 20 (25 in the XL version), diameter 16 Lock body dimensions on page 153 Operating voltage: from 10 to 30 Vdc Absorbed current: 2.5/3 A peak - 130/230 mA for maintenance with electronic control Internal microprocessor control electronics Rapid plug-in connector Ready for interlocking connection of 2 or more doors N.O. Opening, Block, Emergency and Alarm Reset Controls Deadbolt position contact C. / N.O. / N.C Door position contact N.O. for the Open / Closed monitoring function or for use of an external door alignment sensor Open Collector Alarm contact for Prolonged Opening of the door, Fault, Emergency, simultaneous Opening of 2 or more doors if in interlocked configuration. Opto-electronic bolt position control Magnetic door position sensor Push buttons for monitoring and adjustment of relocking times from 0-5 seconds upon approach of the door and from 0-60 seconds if the door is not opened. The timings can be disabled for use of the solenoid bolt with external control electronics Push button for monitoring and adjustment of the Prolonged Door Open Alarm trigger</p>
 <p>26800SA</p>	<p>Fail locked deadbolt closed without power <u>Without handle frame</u> <u>With handle frame (mm) 8</u> <u>With handle frame (mm) 9</u></p> <p>Backsets available (mm): 70 and 90 on the same mechanics</p> <p>Options On request: <u>Extended deadbolt + 5 mm.</u> <u>Solenoid bolt with anti-rebound ball-catch mounted directly on the Armature plate with the slide in ABS on the striking plate</u></p>
<p>26800 26808 26809</p> <p>Art. + XL Art. + SA</p>	



HORIZONTAL SECURITY SOLENOID LOCKS CLASSICA SERIES

Art.	Description
------	-------------

SOLENOID BOLT FOR SINGLE DOOR

Mechanical opening with European type cylinder

(cylinder with internal knob not usable)

Striking plate in stainless steel (mm) 160 x 25 x 3

Armature plate in stainless steel (mm) 150 x 25 x 3

with magnet adjustable in extension

Revolving bolt in anti-cutting hardened steel with mechanical block in closed position

Deadbolt dimensions (mm): extension 20 (25 in the XL version), diameter 16

Lock body dimensions at the bottom of the page

Operating voltage: from 10 to 30 Vdc

Absorbed current: 2.5/3 A peak - 130/230 mA for maintenance with electronic control

Internal microprocessor control electronics

Rapid plug-in connector

Ready for interlocking connection of 2 or more doors

N.O. Opening control

Deadbolt position contact C. / N.O. / N.C

Opto-electronic bolt position control

Magnetic door position sensor

Push buttons for monitoring and adjustment of relocking times from 0-5 seconds upon approach of the door and from 0-60 seconds if the door is not opened.

The timings can be disabled for use of the solenoid bolt with external control electronics

Fail locked deadbolt closed without power:

Without handle frame

With handle frame (mm) 8

With handle frame (mm) 9

Backsets available (mm): 70 and 90 on the same mechanics

Options **On request:**

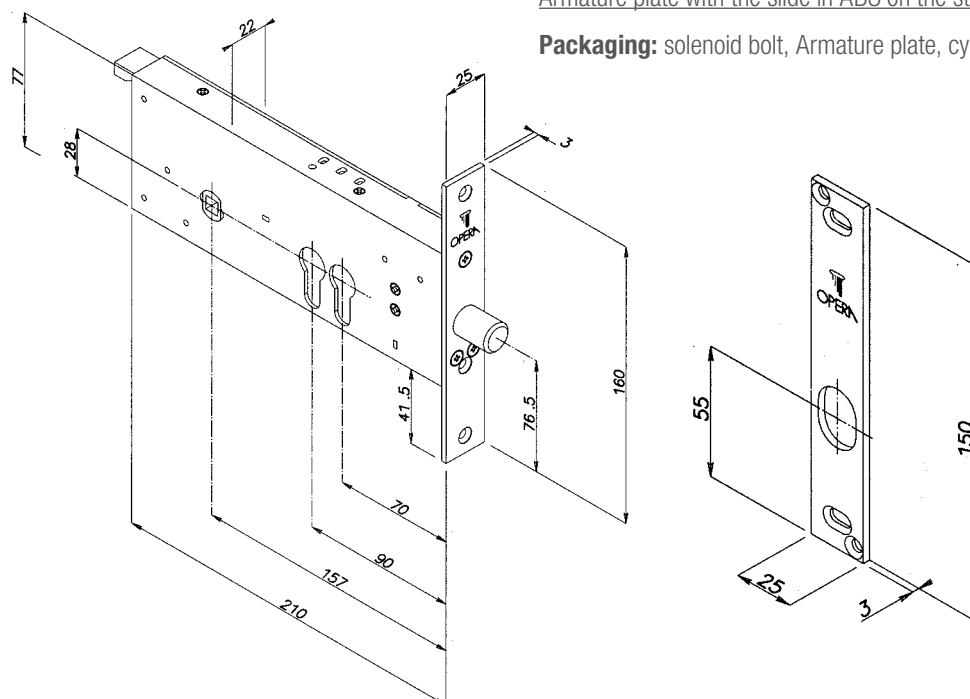
Extended deadbolt + 5 mm.

Art. + XL

Art. + SA

Solenoid bolt with anti-rebound ball-catch catch mounted directly on the Armature plate with the slide in ABS on the striking plate

Packaging: solenoid bolt, Armature plate, cylinder connector and screws



Art.

Description



27908



27908SA

27900
27908
27909

Art. + SA

SOLENOID BOLT FOR SINGLE DOOR

Mechanical opening with European type cylinder
Striking plate in stainless steel (mm) 160 x 25 x 3
Armature plate in stainless steel (mm) 150 x 25 x 3
Latch in anti-cutting hardened steel not reversible on page 153
Latch dimensions (mm): 16 (diameter) x 14 x 16 extension
Lock body dimensions (see below):
Operating voltage: from 10 to 30 Vdc
Absorbed current: 2.5/3 A peak - 130/230 mA for maintenance with electronic control
Internal microprocessor control electronics
Rapid plug-in connector
N.O. Opening control
Monitored latch position contact C. / N.O. / N.C.
Opto-electronic Monitored latch position control
Push buttons for monitoring and adjustment of relocking times from 0-60 seconds if the door is not opened.
The timings can be disabled for use of the solenoid bolt with external control electronics

Fail locked deadbolt closed without power:

Without handle frame
With handle frame (mm) 8
With handle frame (mm) 9

Backsets available (mm): 70 and 90 on the same mechanics
Solenoid bolt with anti-rebound ball-catch mounted directly on the Armature plate with the slide in ABS on the striking plate

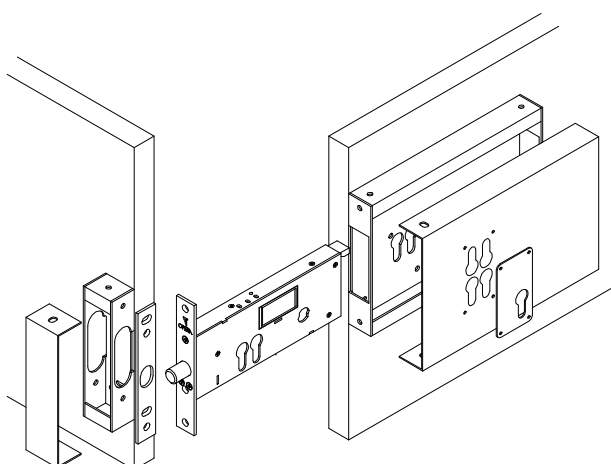
Packaging: solenoid bolt, Armature plate, cylinder connector and screws

02708

CARTER FOR HORIZONTAL SOLENOID LOCK FOR SURFACE FIXING IN CYLINDER / CYLINDER WITH HANDLE VERSION

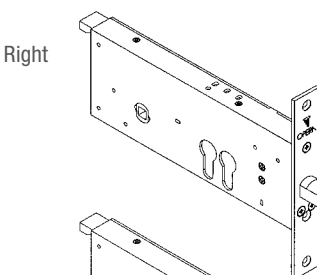
Solenoid and Armature plate carter body in stainless steel
Carter for solenoid lock dimensions (mm): 250 x 165 x 34
Carter for Armature plate dimensions (mm): 45 x 165 x 34
Reversible hand

Backsets available (mm): 70 and 90 on the same carter

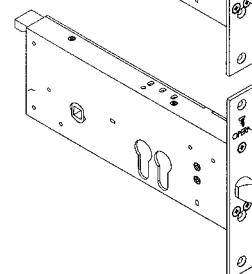


HAND OF THE SOLENOID LOCK

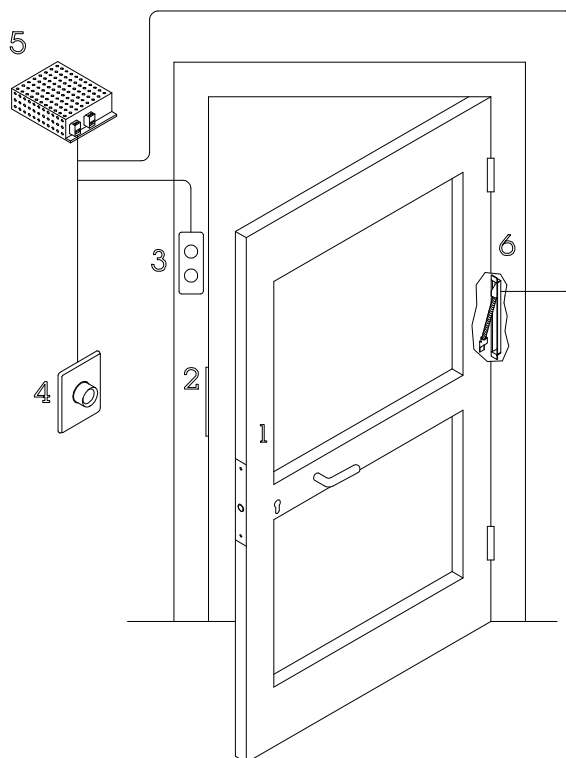
Right



Left



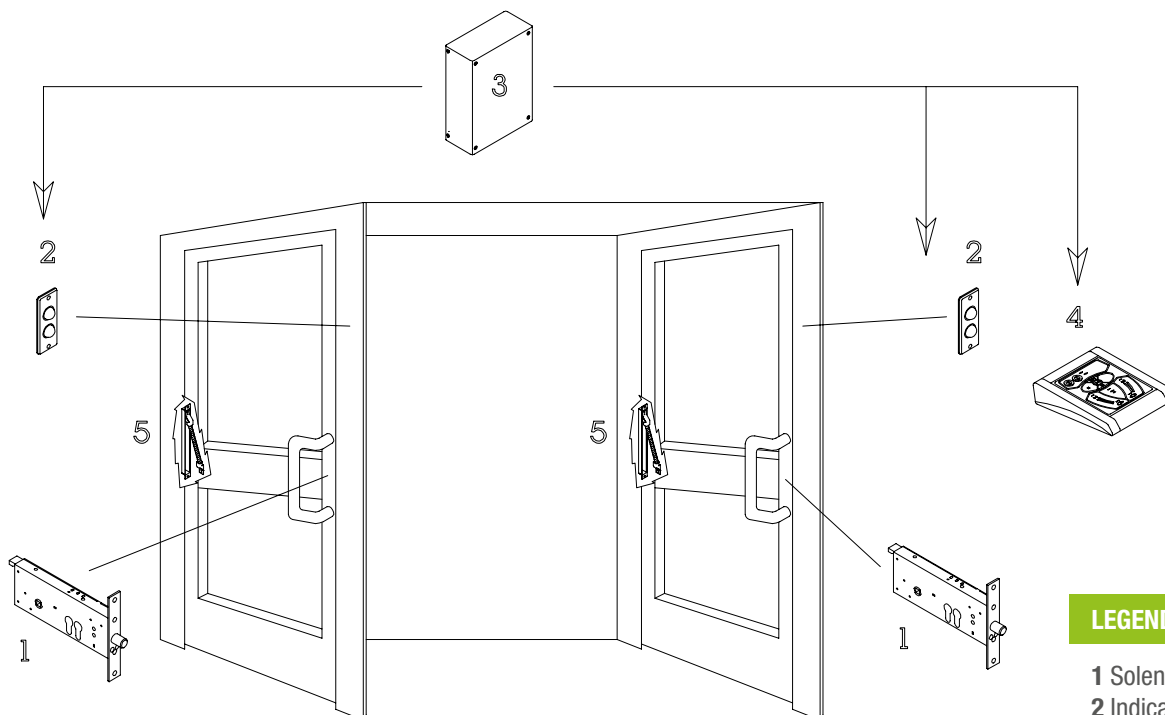
CLOSING SYSTEM WITH CLASSICA SERIE SOLENOID LOCK



LEGENDA

- 1 Solenoid lock
- 2 Striking plate
- 3 Indicator lamp
- 4 Button
- 5 Power supply
- 6 Lead covers

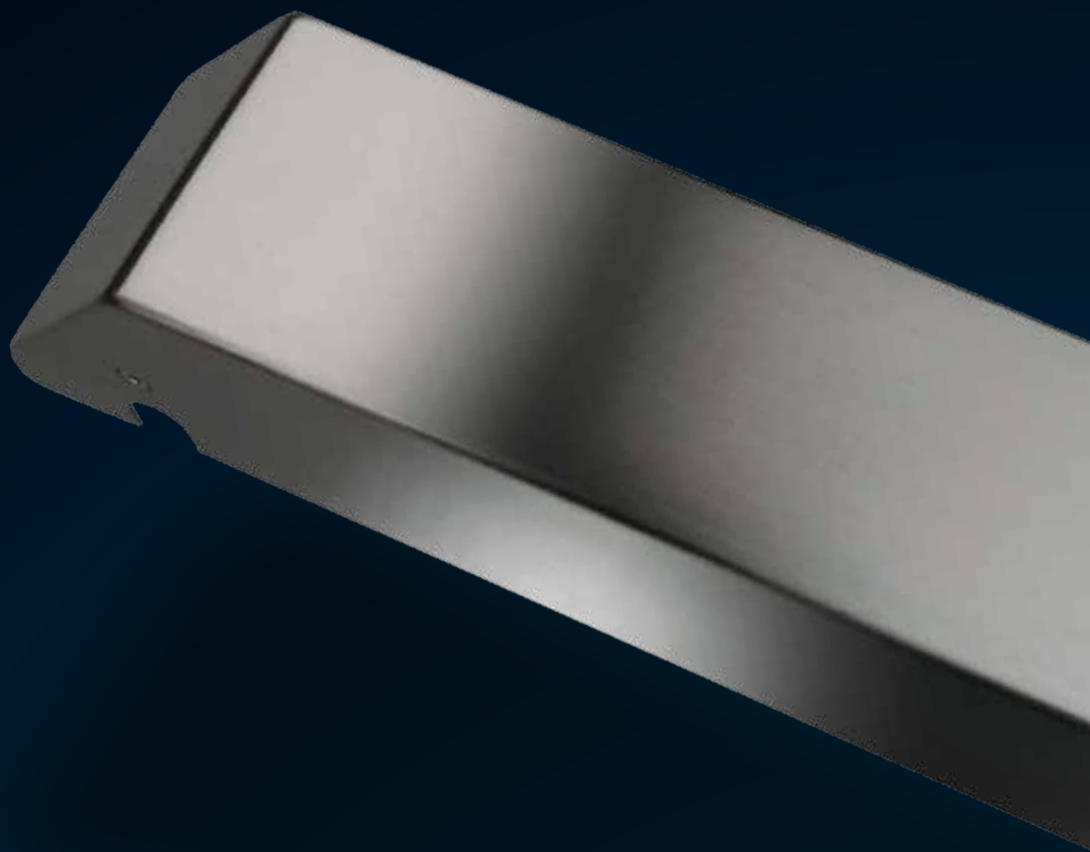
INTERLOCKING SYSTEM WITH CLASSICA SERIE SOLENOID LOCKS



LEGENDA

- 1 Solenoid lock
- 2 Indicator lamp
- 3 Power supply
- 4 Desktop console
- 5 Lead covers





GATE BOLT

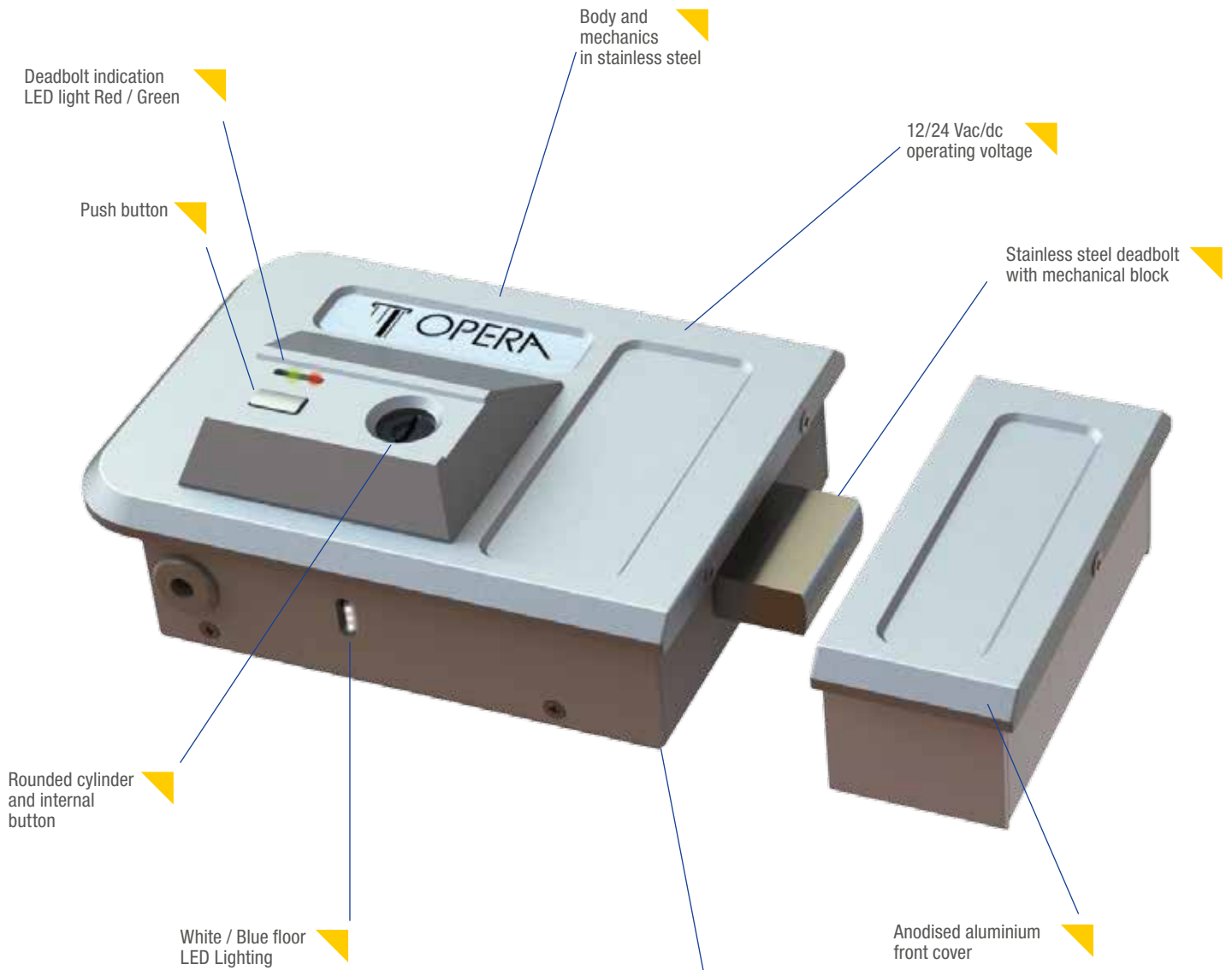
- ▶ SECURITY SOLENOID LOCKS FOR GARAGES AND AUTOMATIC GATES
- ▶ ANTI CUTTING HARDENED STEEL REVOLVING BOLT WITH MECHANICAL BLOCK IN CLOSING POSITION
- ▶ MANUAL ACTIVATION WITH EUROPEAN CYLINDER
- ▶ ENTIRELY IN STAINLESS STEEL, RESISTANT TO WEATHER CONDITIONS EXPOSURE
- ▶ ACTIVATION THROUGH GATE REMOTE CONTROL





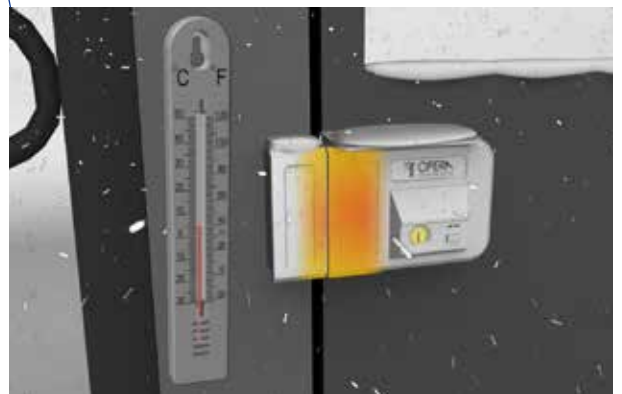
GATE BOLT

www.opera-italy.com



PLUS

- ▶ Rim solenoid lock for gates and doors
- ▶ Fail secure deadbolt without power
- ▶ Resistant to weather conditions
- ▶ Interchangeable with traditional electric locks
- ▶ Automatic deadbolt closing
- ▶ Rounded cylinder with adjustable entry



This feature is automatically activated when temperature drops below 5°C (41°). The antifreeze protection integrated into the lock body prevents freezing of the mechanical parts, including cylinder



SOLENOID LOCK ON AN EXTERNAL GATE



1



SOLENOID LOCK ON A DOOR



3



4

PLUS EXAMPLE

1. Closed gate
2. Open gate
3. Closed door
4. Open door

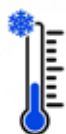




Serie 28001 - 28003



Serie 28002



With internal self-heating

Art.	Description
------	-------------

ELECTRIC RIM LOCK FOR GATES**Rim Version**

Stainless steel lock body and striking plate
 Anodized aluminum lock and plate cover
 Deadbolt closed in case of power failure – fail secure
 Mechanical opening from outside with round cylinder
 Adjustable backset mm 50 – 60 - 70
 Stainless steel deadbolt dimensions 35 x 12 mm (stroke 25 mm)
 Burglar resistant device on deadbolt in the closed position
 Power supply: 12/24Vac/dc
 Absorbed current 1,2 A peak, 370 mA for maintenance
 Hall effect sensor for door position
 Closing timing if door not opened adjustable from 5 s to 60 s
 Output relay contact C/NO/NC for deadbolt status indication (only M version)
 Two colour red/green LED for deadbolt open/closed status reporting
 Nighttime LED ground illumination,
 blue when deadbolt closed and white when deadbolt open
 Suitable for outdoor operation – weather proof,
Internal self-heating - when temperature drops below 5°C, coil warms-up to avoid freezing

Versions available:

Inwards opening with mechanical key – right hand
Inwards opening with mechanical key – left hand
Inwards opening with knob cylinder – right hand
Inwards opening with knob cylinder – left hand
Inwards opening with push button or key – right hand
Inwards opening with push button or key – left hand

On request:

P/N + SC supplied without cylinder (e.g. 28001SC)
P/N + N black anodized cover (e.g. 28001N)
P/N + BR bronze anodized cover (e.g. 28001BR)
P/N + M version with remote deadbolt status relay (e.g. 28001M)
P/N + DR version with lifted up cover to suit high security cylinder (e.g.28001DR)
P/N + XL version with extended deadbolt + 10mm
P/N + P added push button on item 28002.

Use: electric safety lock for indoor/outdoor pedestrian gates and wood condominium external doors



00280

COVER PLATE

Stainless steel cover plate for mounting the Gate lock on a gate 280 - 281 - 282



00280C

00280L

00280S

SPACERS

Stainless steel spacer (1mm) for 280 series striking plate
 Stainless steel spacer (2mm) for 280 series striking plate
 Stainless steel spacer (1mm) for lock 280 series



00281.1

00281.2

00281.1BR

00281.2BR

00281.1N

00281.2N

STRIKING PLATES FOR 280 SERIES (SPARE PART)

Striking plate, right hand, silver finish front plate
Striking plate, left hand, silver finish front plate
Striking plate, right hand, bronze finish front plate
Striking plate, left hand, bronze finish front plate
Striking plate, right hand, black finish front plate
Striking plate, left hand, black finish front plate



RIM ELECTRIC LOCK FOR GATES AND EXTERNAL DOORS GATE LOCK SERIES



Silver finish

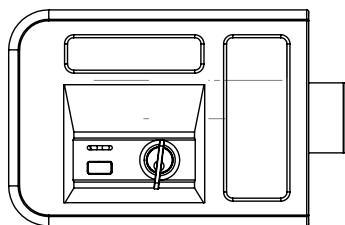


Bronze finish

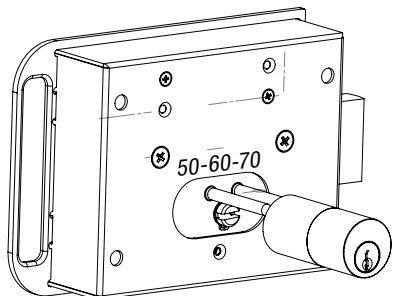
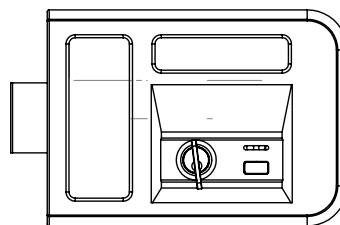


Black finish

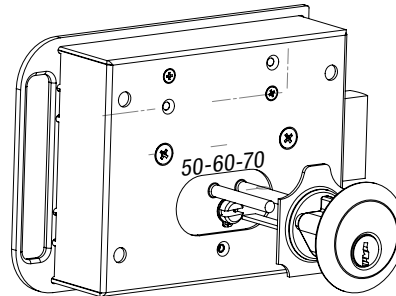
Right hand



Left hand

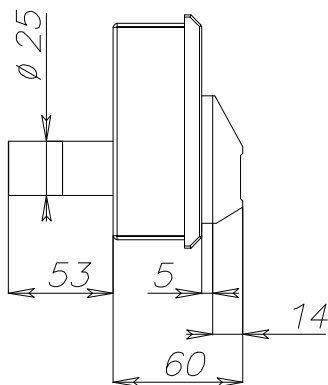
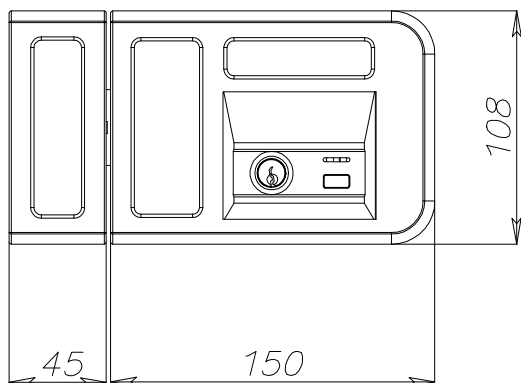
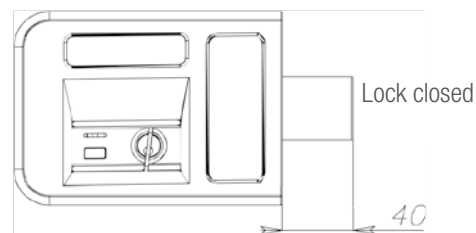
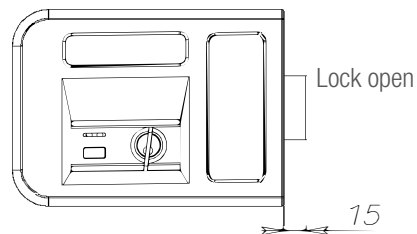


Round cylinder for gates

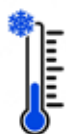


Round cylinder for timber door
Not supplied

Version XL



Art.	Description
------	-------------

With internal self-heating

28201.1.60
28201.2.60
28201.1.80
28201.2.80

28203.1.60
28203.2.60
28203.1.80
28203.2.80

MOTORISED ELECTRIC RIM LOCK**Rim Version**

Stainless steel lock body and striking plate
Anodized aluminum lock and plate cover
Deadbolt closed in case of power failure – fail secure
Mechanical opening from outside with euro-profile cylinder
Backset mm 60 or 80
Stainless steel deadbolt dimensions 35 x 12 mm (stroke 25 mm)
Burglar resistant device on deadbolt in the closed position
Power supply: 12/24Vac/dc
Absorbed current 200mA at 12Vdc
Hall effect sensor for door position
Closing timing if door not opened adjustable from 5 s to 60 s
Output relay contact C/NO/NC for deadbolt status indication (only M version)
Two colour red/green LED for deadbolt open/closed status reporting
Nighttime LED ground illumination, blue when deadbolt closed and white when deadbolt open
Suitable for outdoor operation – weather proof, internal self-heating.
When temperature drops below 5°C, coil warms-up to avoid freezing

Version with euro-profile cylinder – supplied without cylinder:

Backset 60mm – right hand
Backset 60mm - left hand
Backset 80mm – right hand
Backset 80mm - left hand

Version with euro-profile cylinder and push button – supplied without cylinder:

Backset 60mm – right hand
Backset 60mm - left hand
Backset 80mm – right hand
Backset 80mm - left hand

On request:

P/N + N black anodized cover (e.g. 28201N)
P/N + BR bronze anodized cover (e.g. 28201BR)
P/N + M version with remote deadbolt status relay (e.g. 28201M)
P/N + XL version with extended deadbolt + 10mm

Use: electric safety lock for indoor/outdoor pedestrian gates and wood condominium external doors



MOTORISED RIM ELECTRIC LOCK FOR GATES AND EXTERNAL DOORS GATE LOCK SERIES

Art.	Description
------	-------------

SPACERS



00282C
00282L
00282S

Stainless steel spacer (1mm) for 282 series striking plate
Stainless steel spacer (2mm) for 282 series striking plate
Stainless steel spacer (1mm) for lock 282 series

STRIKING PLATES FOR 282 SERIES (SPARE PART)

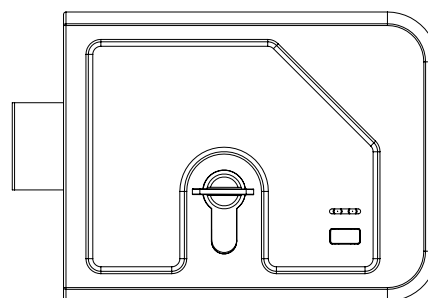
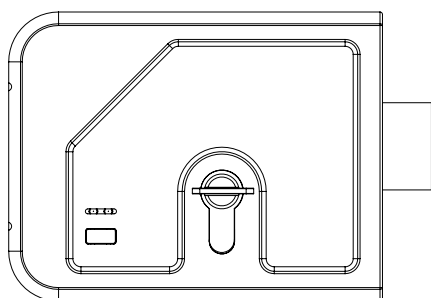


00282.1
00282.2
00282.1BR
00282.2BR
00282.1N
00282.2N

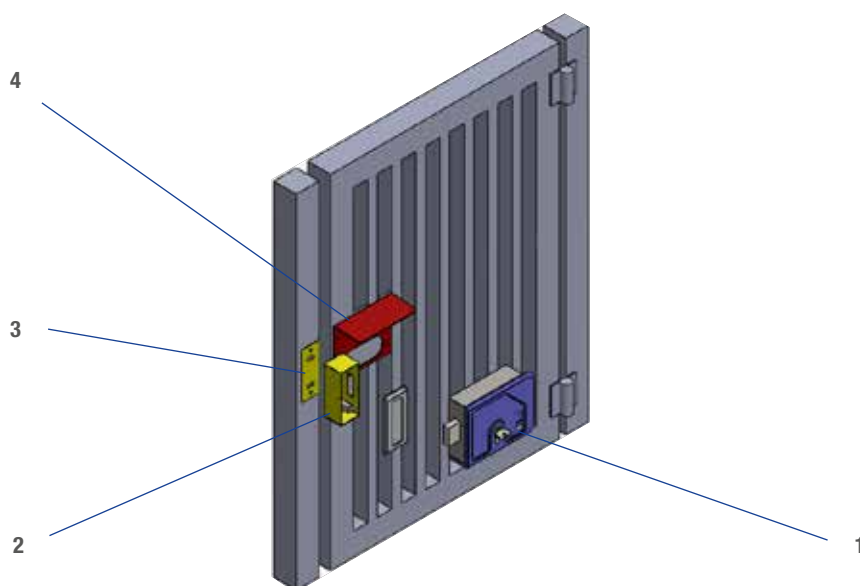
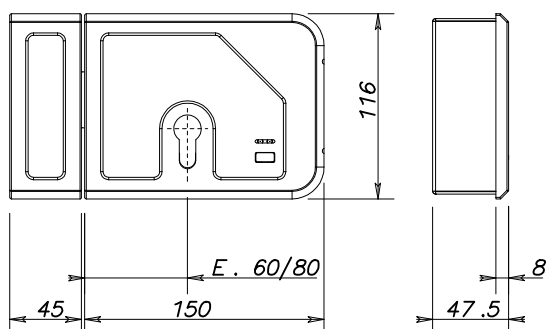
Striking plate, right hand, silver finish front plate
Striking plate, left hand, silver finish front plate
Striking plate, right hand, bronze finish front plate
Striking plate, left hand, bronze finish front plate
Striking plate, right hand, black finish front plate
Striking plate, left hand, black finish front plate

Right hand

Left hand



Application on a pedestrian gate



LEGENDA

1. Electric lock
2. Striking plate
3. Spacer
4. Cover





Art.

Description

SOLENOID LOCK FOR GARAGE DOORSVersion: **for surface fixing**

Lock body in anti-corrosion treated steel

Casing cover in stainless steel (version 28800)

Dimensions of the body (mm): 300 x 45 x 42

Mechanical opening and closing with European type cylinder (through bolt hole from both sides) - Provided without cylinder

To select the length of the cylinder see page 165

Rubber weather protection of the cylinder hole

Deadbolt in steel diameter (mm) 18 x extension 28 (stroke 25)

Bolt "total reaction" burglar device in closed position (only version 28700)

C. / N.O. / N.C. output contact

Operating voltage: 24 Vdc (See item 05332A - page 197)

Absorbed current 3 A peak, 300 mA in standby

28700Fail locked version - Deadbolt closed without power**28710**Fail unlocked version - Deadbolt open without power**Art + OR****On request:** solenoid lock for horizontal operation**Use:** high security solenoid lock for automatic gates and hinges doors for garages**02290****FLOOR STRIKE**

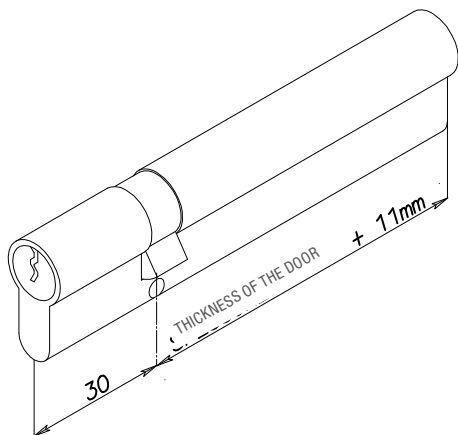
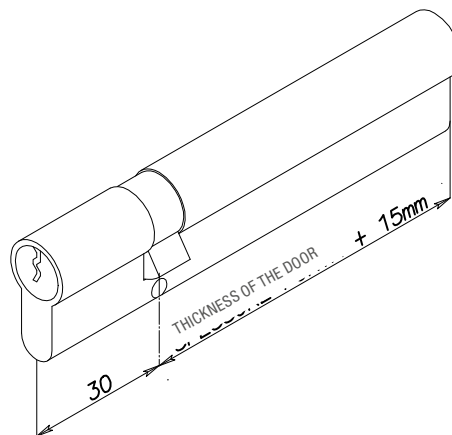
Stainless steel striking plate for bolt insertion into the floor.

For item Art. 28700 – 28710 - 28720 - 28800 and 28800LC

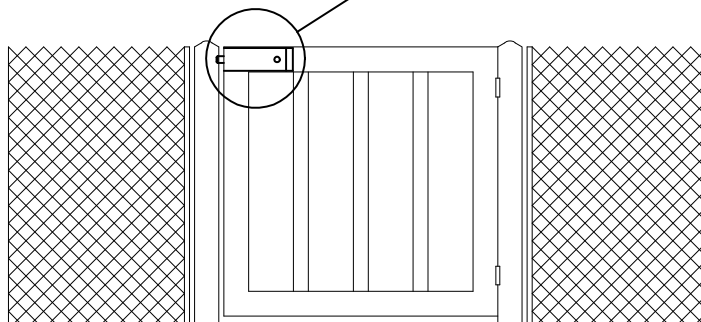
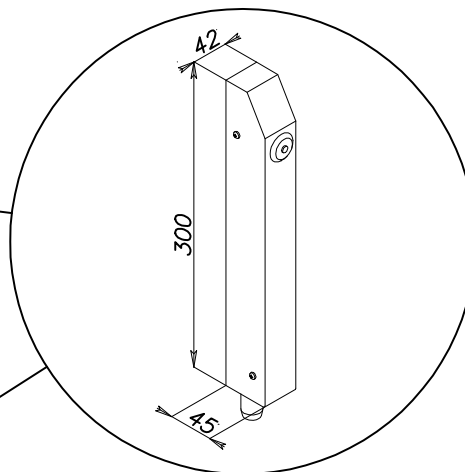
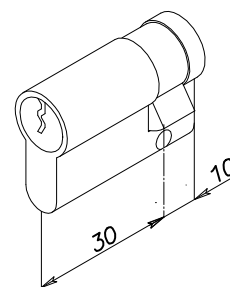
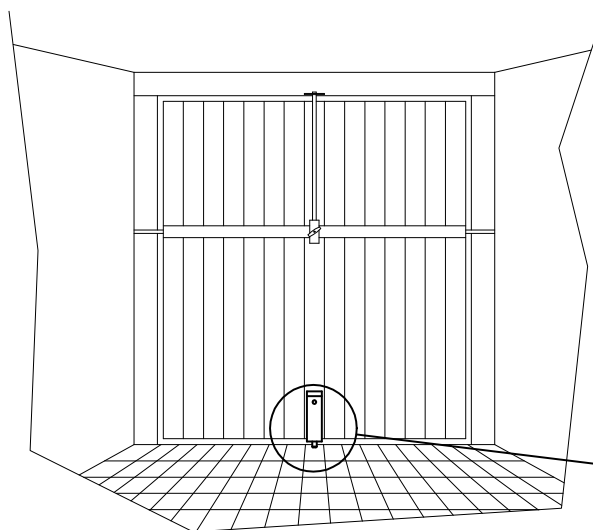
Dimension : mm 120 diameter x 5mm thickness



LENGHT OF THE DOUBLE CYLINDER

LENGHT OF THE DOUBLE CYLINDER
AND TAMPER DEFENDER ITEM CODE 02250

LENGHT OF THE HALF CYLINDER



NEW



28720
28720N

Art.	Description
------	-------------

MOTOR DEADBOLT FOR AUTOMATIC GATES LEGION SERIES

Version: for surface fixing

Lock body in stainless steel, aluminium cover with plastic ends
Dimensions: 515 x 42 x 58

Mechanical opening with Euro-profile cylinder (from both sides)
Cylinder not included - stainless steel fixing plate included
To select the length of the cylinder see page 167

Steel made bolt diameter (mm) 18 x extension 55 (stroke 55)
Bolt "total reaction" burglar device in closed position

C. / N.O. / N.C. output contact
Operating voltage: 10 - 30Vdc
Absorbed current 300Ma at 12vDC

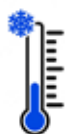
**Internal self-heating – when temperature drops under 5°C , coil
warms-up to avoid freezing.**

Time adjustment between 0-5 seconds from re-locking after door opening
and between 0-60 seconds if door is not opened

Fail locked version - Deadbolt closed without power

Carter in satin anodised finish
Carter in black anodised finish

Use: high security solenoid lock for automatic gates. It can be used
downward, upward and horizontally.



With internal self-heating

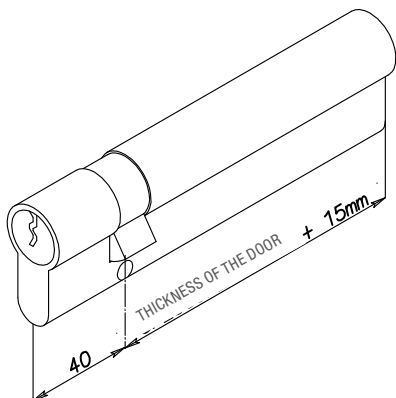
02290

FLOOR STRIKE

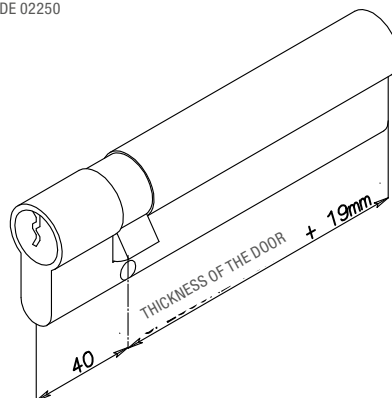
Stainless steel striking plate for bolt insertion into the floor.
For item 28700 – 28710 - 28720 – 28800 – 28800LC
Dimension : mm 120 diameter x 5mm thickness



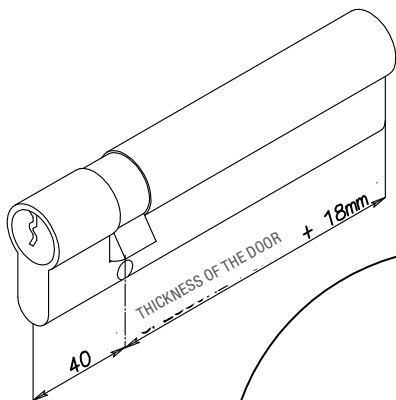
LENGHT OF THE DOUBLE CYLINDER WITHOUT UNDER PLATE



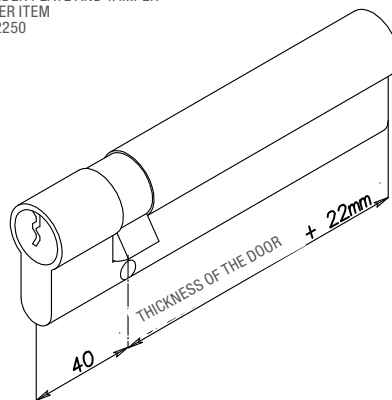
LENGHT OF THE DOUBLE CYLINDER WITHOUT UNDER PLATE AND TAMPER DEFENDER ITEM CODE 02250



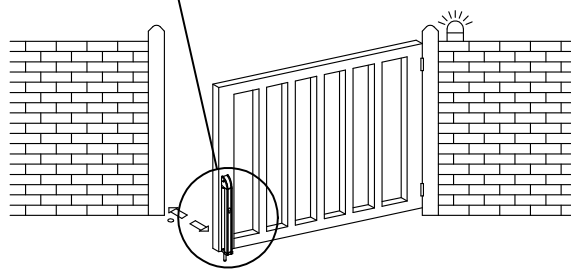
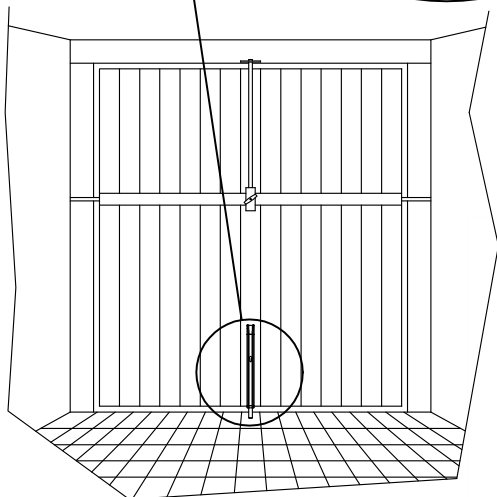
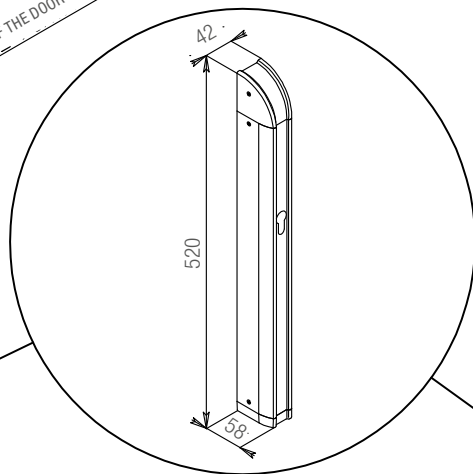
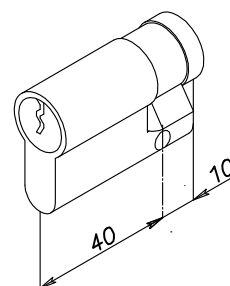
LENGHT OF THE DOUBLE CYLINDER WITH UNDER PLATE

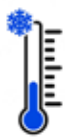
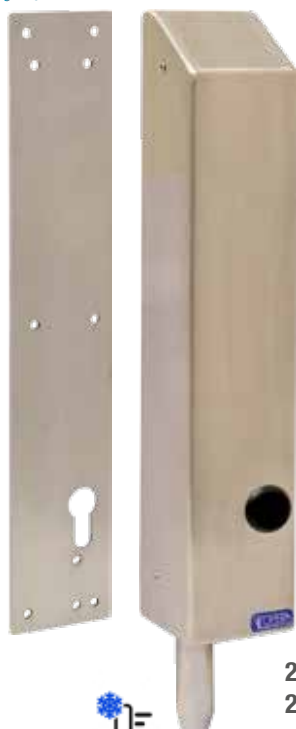


LENGHT OF THE DOUBLE CYLINDER WITH UNDER PLATE AND TAMPER DEFENDER ITEM CODE 02250



LENGHT OF THE HALF CYLINDER





+5°C

With internal self-heating

Art.

Description

SOLENOID LOCK FOR AUTOMATIC GATES**Version: for surface fixing**

Lock body in stainless steel, aluminium and anti-corrosion treated steel
 Casing cover in stainless steel (version 28800)
 Casing cover in black painted steel (version 28800LC)
 Flat fixing plate in stainless steel to be welded (version 28800)
 Dimensions of the body (mm): 335 x 60 x 55
 Mechanical opening with Euro-profile cylinder (from both sides) Provided without cylinder
 To select the length of the cylinder see page 169
 Rubber weather protection of the cylinder hole
 Deadbolt in steel diameter (mm) 20 x extension 60 (stroke 50)
 Bolt "total reaction" burglar device in closed position
 C. / N.O. / N.C. output contact
 Operating voltage : 24 Vdc
 Absorbed current 5 A peak, 750/900 mA in standby
Internal self-heating – when temperature drops under 5°C , coil warms-up to avoid freezing. (standard in 28800 version)

Fail locked version - Deadbolt closed without power

28800
 28800LC

Carter in stainless steel with fixing plate item 02288

Carter in black painted steel without fixing plate item 02288

Art. + OR
 Art + MIC
 Art. + W

On request:Solenoid lock for horizontal operationSolenoid lock with anti-tamper protection and microswitchVersion with internal self-heating 28800LC**Use:** high security solenoid lock for automatic gates

02288

FIXING PLATE FOR GATE LOCK - REPLACEMENT

Flat plate in stainless steel for fixing of solenoid lock item 28800 and 28800LC to the gate.
 Supplied in ref 28800



02290

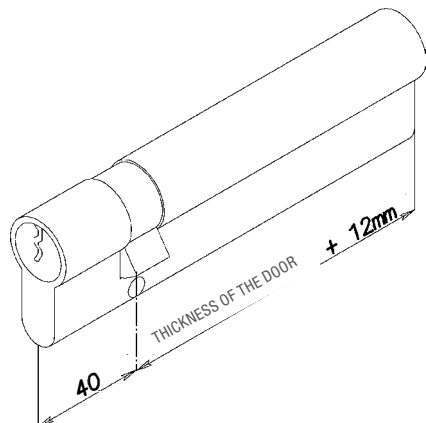
FLOOR STRIKE

Stainless steel striking plate for bolt insertion into the floor.
 For item 28700 – 28710 - 28720 – 28800 – 28800LC
 Dimension : mm 120 diameter x 5mm thickness

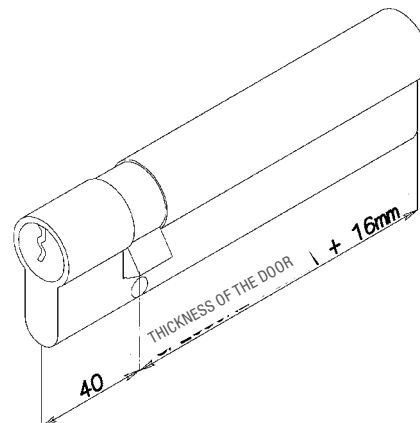


APPLICATIONS EXAMPLES

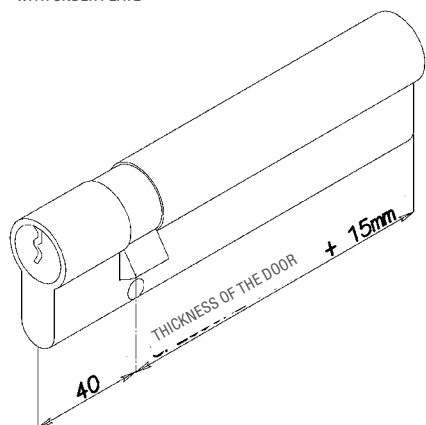
LENGHT OF THE DOUBLE CYLINDER
WITHOUT UNDER PLATE



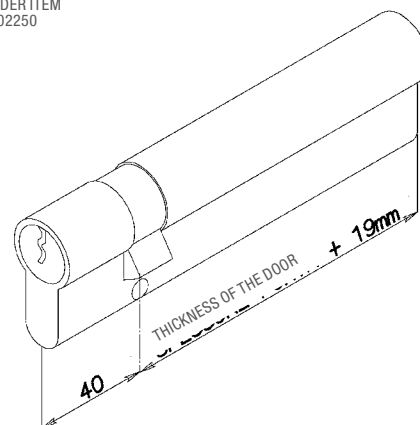
LENGHT OF THE DOUBLE CYLINDER
WITHOUT UNDER PLATE
AND TAMPER DEFENDER ITEM
CODE 02250



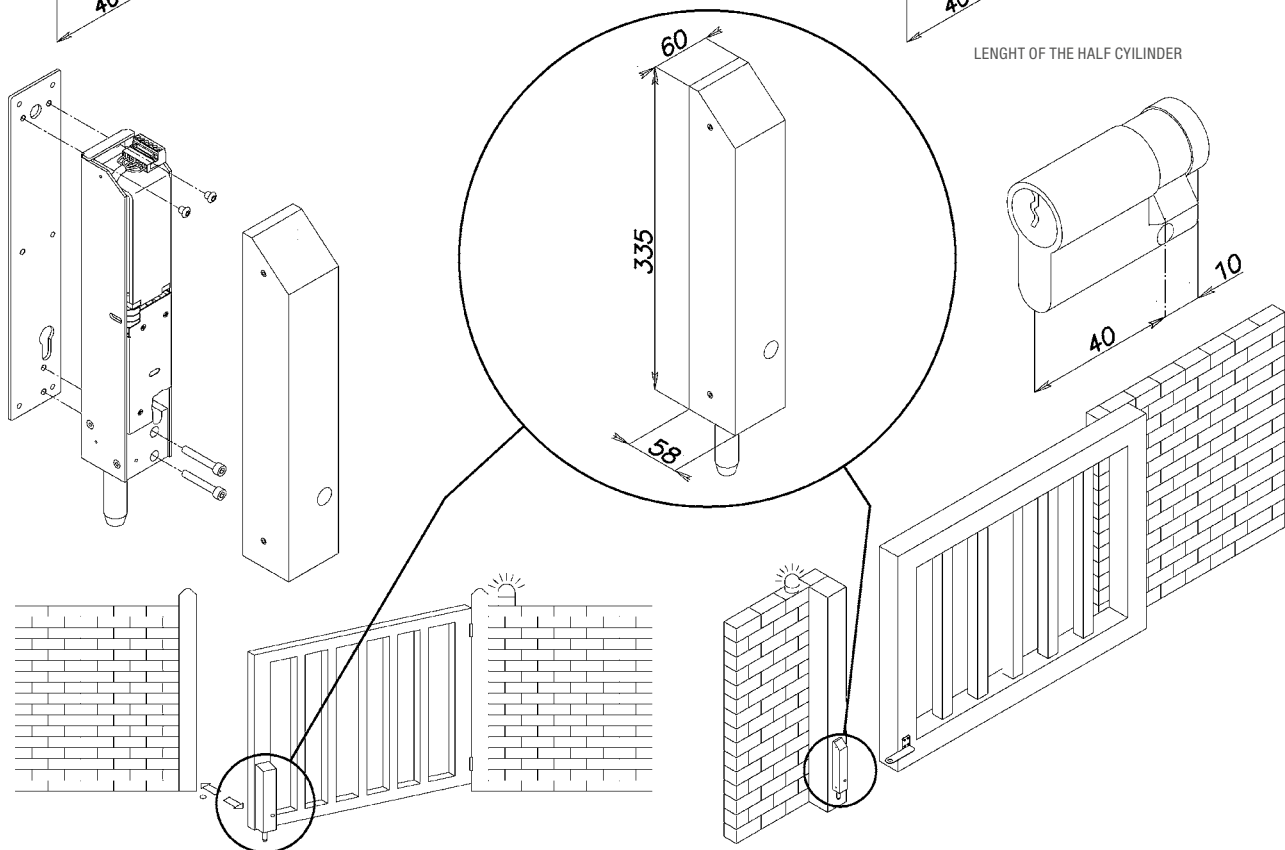
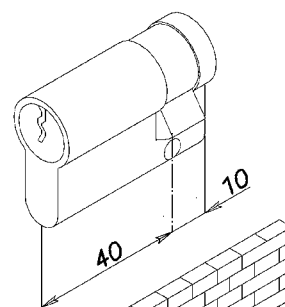
LENGHT OF THE DOUBLE CYLINDER
WITH UNDER PLATE



LENGHT OF THE DOUBLE CYLINDER
WITH UNDER PLATE AND TAMPER
DEFENDER ITEM
CODE 02250



LENGHT OF THE HALF CYLINDER



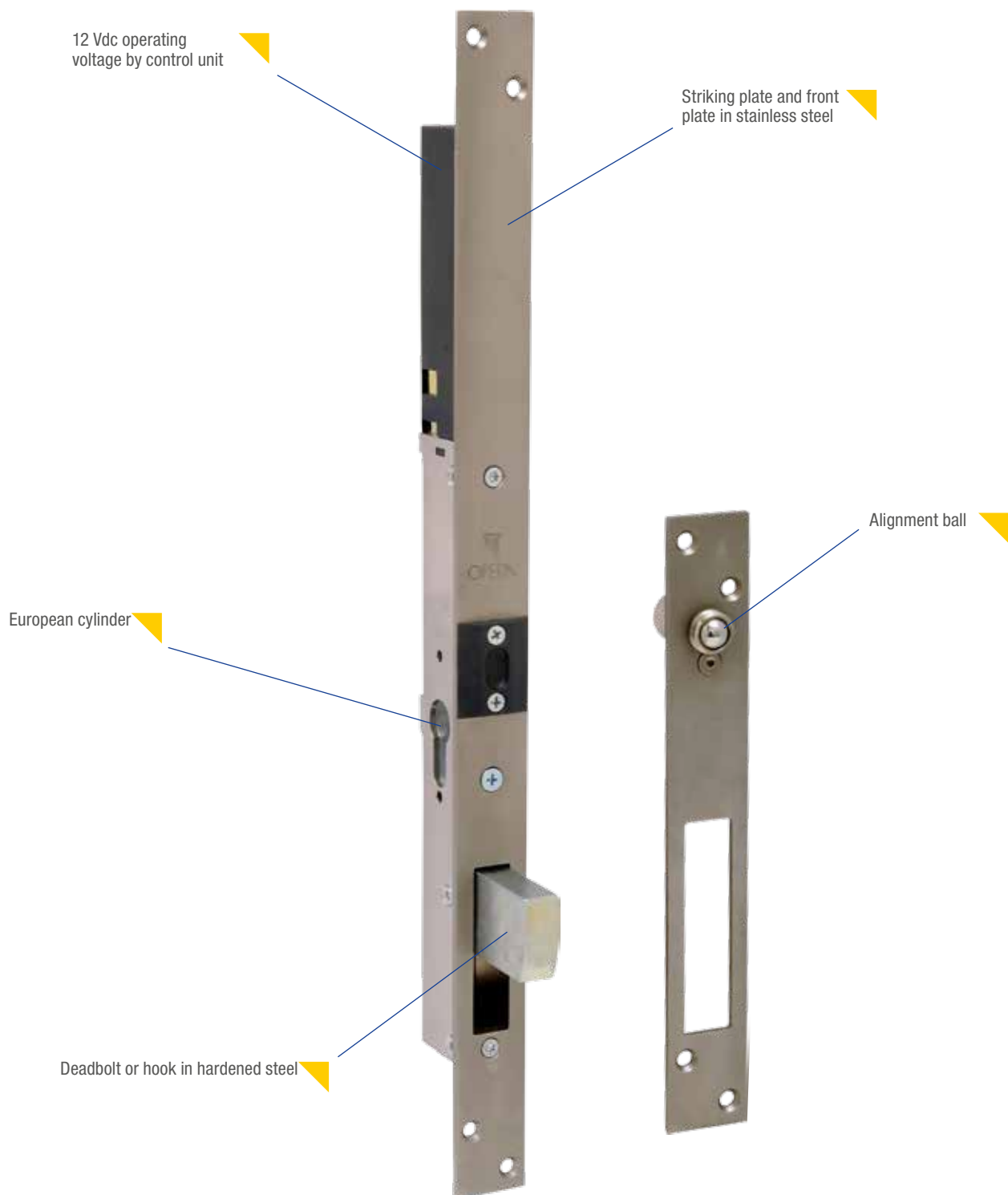


IMAXIMA

- ▶ HIGH SECURITY MOTORISED LOCKS
- ▶ SWINGING DEADBOLT WITH ANTI CUTTING MECHANICAL BLOCK
- ▶ MANUAL ACTIVATION WITH EUROPEAN CYLINDER
- ▶ HOOK VERSION FOR SLIDING DOORS
- ▶ CONTROL UNIT FOR SINGLE AND INTERLOCKED DOORS







PLUS

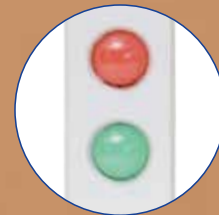
- ▶ High security motorised lock
- ▶ Swinging deadbolt with anti cutting mechanical block in closing position
- ▶ Deadbolt hook version for sliding doors
- ▶ Quick execution of the opening and closing commands
- ▶ High resistance to breaking and entering
- ▶ Mechanical opening and closing with European cylinder



INTERNAL OPENING



EXTERNAL OPENING



PLUS EXAMPLE

- 1 Door jamb solenoid lock for reinforced and metal profiles
- 2 Single or interlocked doors management
- 3 Mounting on the frame or the door shutter
- 4 To be matched with intercom and access control systems



Art.	Description
------	-------------



	<p>MOTORISED LOCK Mechanical opening with European type cylinder (cylinder with internal knob not usable) Striking plate in stainless steel (mm): 440 x 30 x 3 Armature plate in stainless steel with anti-rebound ball-catch (stroke adjustable at exit to 15 mm.): 216 x 30 x 3 mm. Swinging deadbolt in hardened anti-cutting steel (mm) 35 x 14 x extension 40 Lock body dimensions on page 176 Deadbolt mechanical block in closed position Magnetic sensor with N.O. contact for verification of the door position to be inserted on the door frame. Magnet and sensor adjustable in extension up to 25 mm Output cable to the motor unit with rapid plug-in connector Operating voltage: 12 Vdc from control electronics Maximum current consumption 4 A peak with electronic control limiter Maximum activation time: 0.15 seconds Opto-electronic bolt position control</p>
25500 20	<u>Backset (mm): 20</u>
25500 25	<u>Backset (mm): 25</u>
25500 30	<u>Backset (mm): 30</u>
25500 35	<u>Backset (mm): 35</u>
25500 50	<u>Backset (mm): 50</u>

Use: high security solenoid lock for single hinged doors or interlocking systems. Management by control electronics Art. 54250 and 54255.



	<p>MOTORISED LOCK WITH HOOK DEAD BOLT Mechanical opening with European type cylinder (cylinder with internal knob not usable) Mechanical and electronic characteristics are the same as the previous article except: Swinging hook deadbolt in hardened anti-cutting steel (mm) 35 x 14 x extension 40</p>
25511 20	<u>Backset (mm): 20</u>
25511 25	<u>Backset (mm): 25</u>
25511 30	<u>Backset (mm): 30</u>
25511 35	<u>Backset (mm): 35</u>
25511 50	<u>Backset (mm): 50</u>

Use: high security solenoid lock for single sliding doors or interlocking systems. Management by control electronics Art. 54250 and 54255

04925	<p>MOTOR UNIT (SPARE PART)</p>
-------	---------------------------------------

Use: spare motor unit for motorised locks article 25500 and 25511

02250L	<p>TAMPER DEFENDER</p>
--------	-------------------------------

Matt chromium plated body in hardened steel
 Dimensions (mm): 90 x 30 x 15
 Fixing with through bolt holes from the inside of the door
 Usable with cylinders which protrude up to 4 mm.

Use: tamper defender for security cylinders
 Can be used with all cylinders mounted on Maxima electromechanical locks



Art.	Description
------	-------------

54250

ELECTRONIC CONTROL UNIT**For management of one door**

Box in grey ABS, dimensions (mm) 240 x 150 x 48

Operating voltage: 10-12 Vac / 65 V.A, 12 Vdc / 3 A

Absorbed current: 100 mA in stand-by / 4 A at peak of electromechanical lock

Ready for interlocking connection of 2 or more doors

Inputs with N.O. contacts for:

- Opening
- Block or Metal Detector
- Emergency
- Bolt position (opto-electronic)
- Door position

Outputs:

- Double switching relay C./N.O./N.C for deadbolt status signalling and for connection to indicator lamps
- Fault Alarm Open Collector Contact
- Possibility of connection in cascade to interlock several doors with each other (to be connected one for each door to be controlled)
- Automatic relocking after 0.5 seconds (selectable at 1 second) upon approach of the door
- Automatic relocking after 6 seconds (selectable at 13 seconds) if the door is not opened
- Automatic repetition of the command received if not executed in opening with 4 consecutive attempts
- Automatic repetition of the command received if not executed in closing with 4 consecutive attempts
- Electronic control and protection of non-executed command

Use: electronic control unit for timed and/or interlocking management of electromechanical locks Maxima series 25500 and 25511



54255

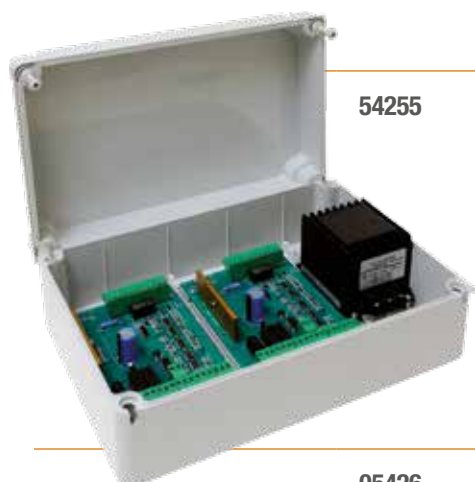
ELECTRONIC CONTROL UNIT**For management of two doors**

Box in wall mount ABS, dimensions (mm) 300 x 225 x 130

Operating voltage: 230 Vac (internal transformer)

Same electrical and operational characteristics as item 54250 but for management of 2 doors in interlocking configuration

Use: electronic control unit for timed and/or interlocking management of electromechanical locks Maxima series 25500 and 25511



05426

MULTI-POLE CABLE

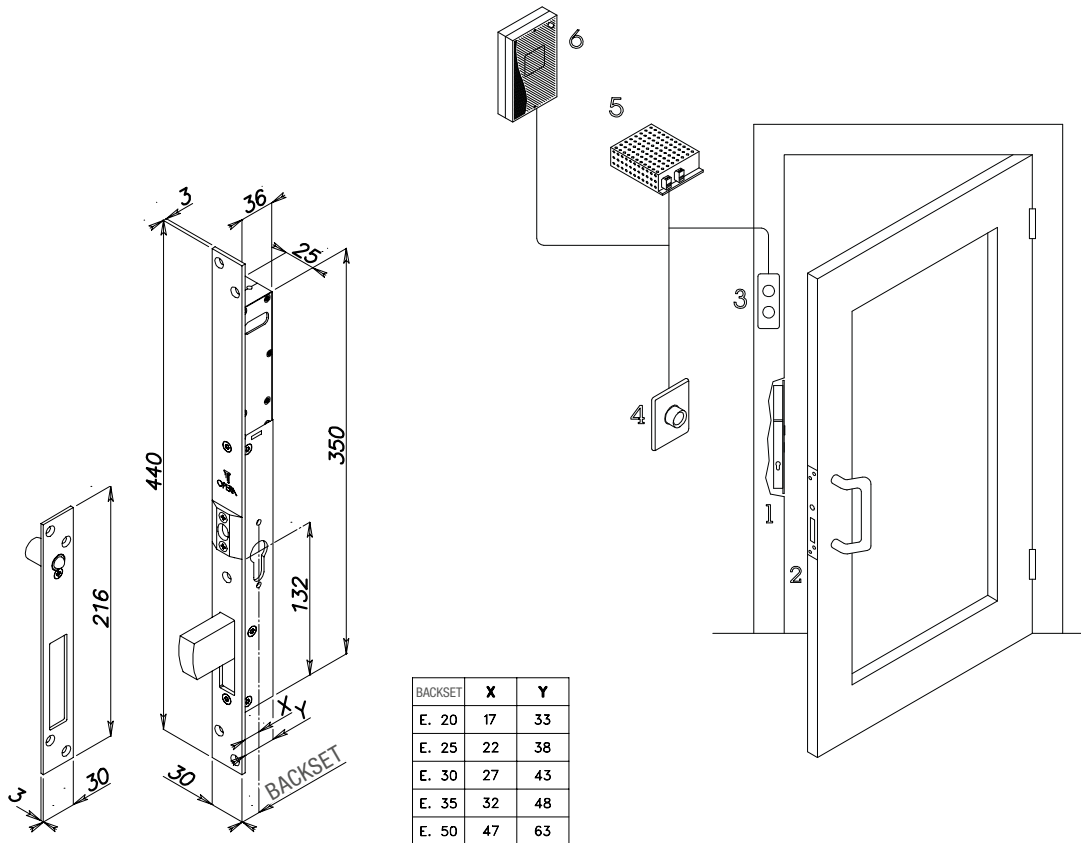
Multi-pole cable 2 x 1 sq mm. + 8 x 0.22 with the same colouring as the cable on the electromechanical lock motor unit

Per metre

Use: cable for systems with electromechanical lock Maxima series 25500 and 25511



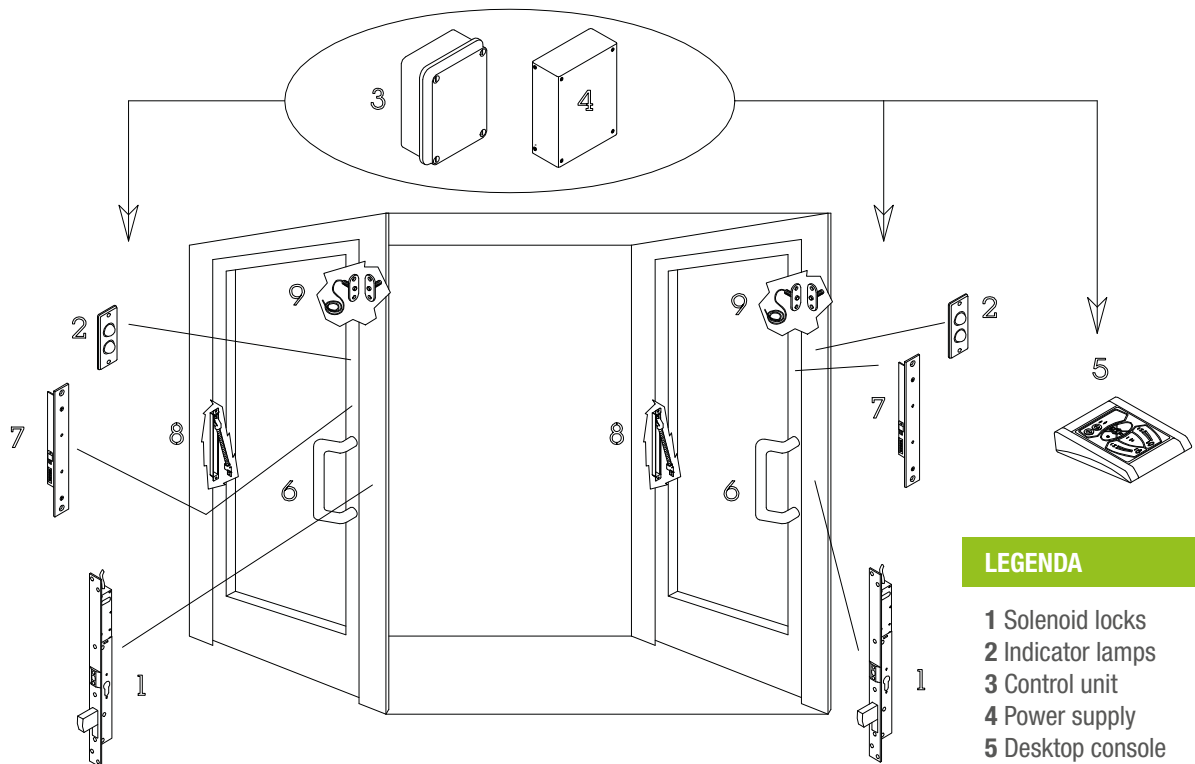
CLOSING SYSTEM WITH MAXIMA SERIE SOLENOID LOCK



LEGENDA


- 1 Solenoid lock
- 2 Striking plate
- 3 Indicator lamps
- 4 Button
- 5 Power supply
- 6 Control unit

INTERLOCKING SYSTEM WITH MAXIMA SERIE SOLENOID LOCKS

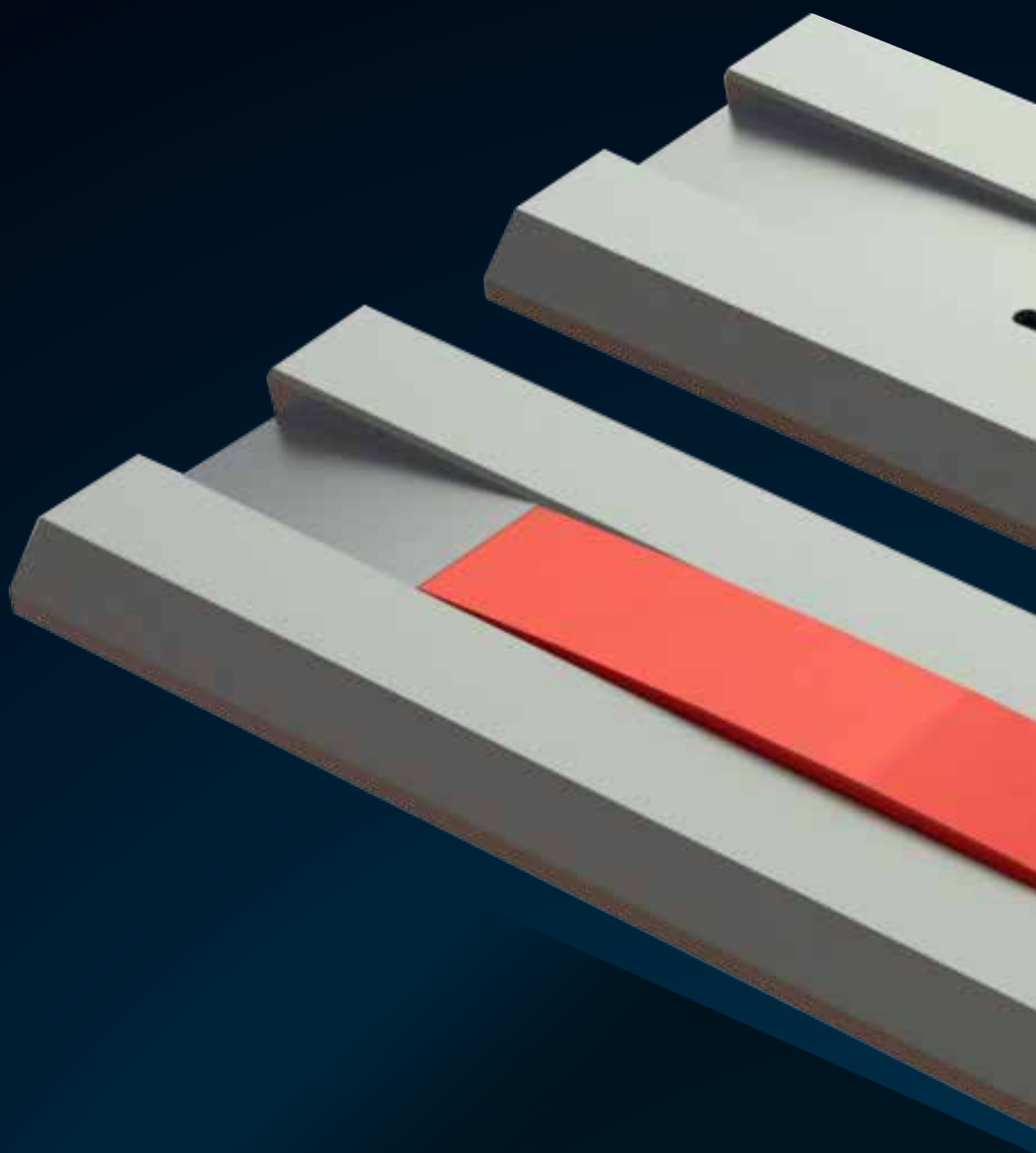


LEGENDA

- 1 Solenoid locks
- 2 Indicator lamps
- 3 Control unit
- 4 Power supply
- 5 Desktop console
- 6 Bars
- 7 Sensitive cards
- 8 Lead covers
- 9 Magnetic sensors

Art.	Description
	<p>03510 VERTICAL HANDLE Vertical handle with elbows in plastic and central tube in silver anodized aluminium 300 mm. (longer lengths available on request) Elbow with 4 through wires ready for connection to sensitive board Art. 53500 On request: dark brown, black or painted red, yellow, green tube</p>
	<p>03520 HORIZONTAL HANDLE Horizontal handle with elbows in plastic and central tube in silver anodized aluminium 300 mm. (longer lengths available on request) Elbow with 4 through wires ready for connection to sensitive board Art. 53500 On request: dark brown, black or painted red, yellow, green tube</p>
	<p>03515 VERTICAL HANDLE Vertical handle entirely in black painted aluminium 395 mm. ready for connection to sensitive board Art. 53501 On request: painted red or yellow</p>
	<p>03525 HORIZONTAL HANDLE Horizontal handle entirely in black painted aluminium 395 mm. ready for connection to sensitive board Art. 53501 On request: painted red or yellow</p>
	<p>53500 SENSITIVE BOARD Sensitive board with contact plate for insertion inside tube for handles Art. 03510 and 03520 Dimensions (mm): 120 x 15 x 17 Operating voltage: 12 - 24 Vdc Absorbed current: 10 mA in stand-by / 50 mA with relay activated Relay in switching: 2 A @ 24 Vdc / 1 A @ 120 Vac Sensitivity adjustment trimmer. Indicator LED of sensitivity calibration Stable output contact with relay C./N.O./N.C Note: the sensitivity board is not suitable for operation with Prima and Classica series solenoid locks.</p>
	<p>53501 SENSITIVE BOARD WITH FRONT PLATE Sensitive board ready for connection to handles Art. 03515 and 03525 Same electrical characteristics as Art. 53500 Front plate in anodized aluminium for insertion in the door profile Front plate dimensions (mm): 200 x 25 x 2 Dimensions (mm): 120 x 15 x 17 Hole for sensitivity adjustment trimmer Hole for sensitivity calibration indicator LED Note: the sensitivity board is not suitable for operation with Prima and Classica series solenoid locks.</p>
	<p>44000 PUSH BAR SWITCH (NO LATCH) Push Bar type with base in steel and horizontal activation bar in silver anodized aluminium Dimensions (mm): 860 (can be shortened up to 550 mm.) x h 60 bar x 68 thickness Mechanical block with bar pressed for the "open" release lever function Micro-switch with C./N.O./N.C contact rated 24 V / 5 A Hand: reversible Use: electric command for release of security electromagnets</p>

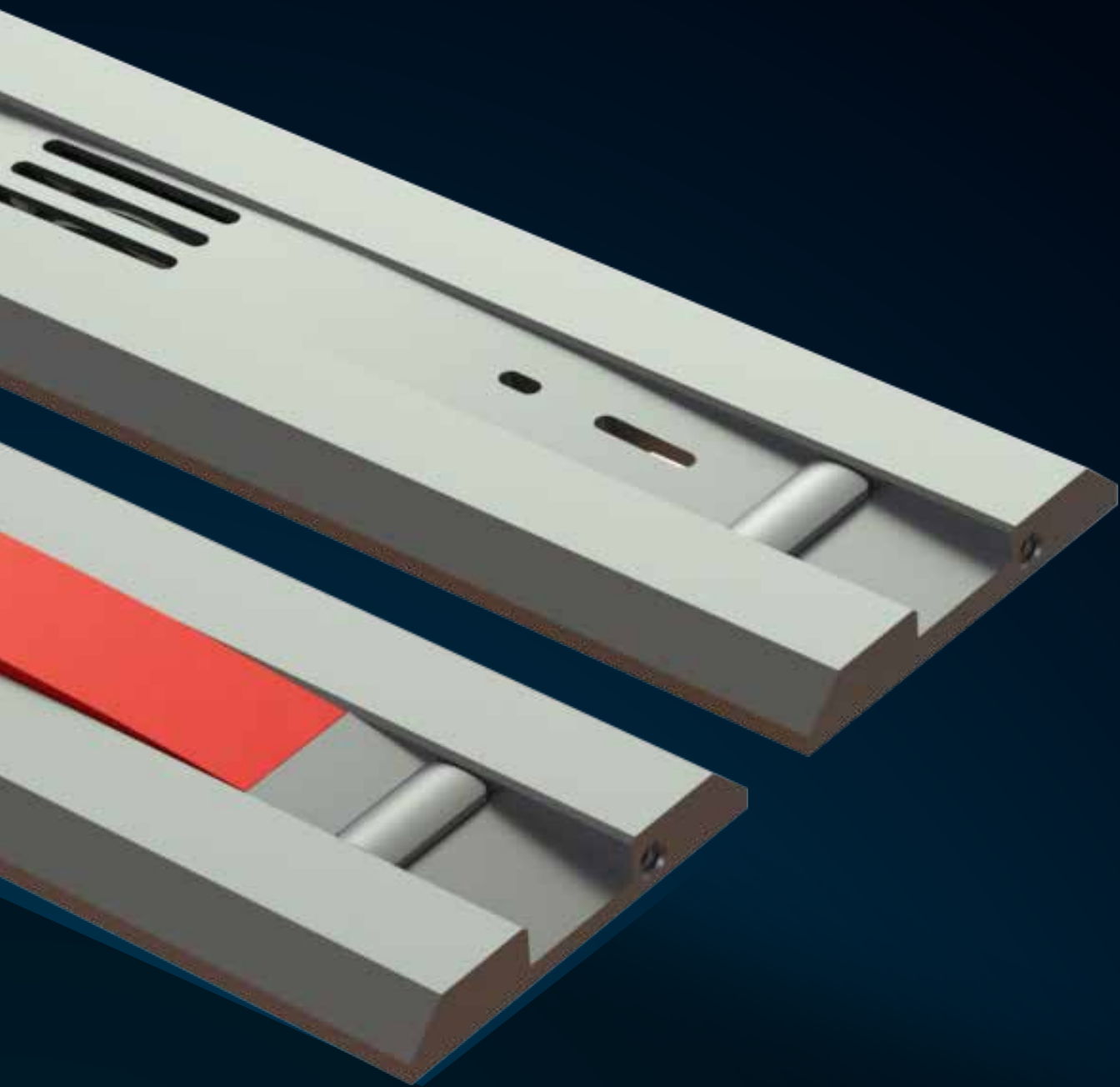




IPROFILO

- ▶ ELEGANT AND INNOVATIVE INDICATOR LAMPS SERIE
- ▶ HIGH EFFICIENCY LED LIGHTING
- ▶ STANDARD RED / GREEN VERSION AS DOOR STATUS INDICATORS
- ▶ WHITE / BLUE VERSION AS LIGHTING SYSTEM OR STEP LIGHT
- ▶ REDUCED DIMENSIONS FOR INSERTION ON NARROW DOORS
- ▶ EXTERNAL INTERCOM VERSION WITH THE SAME DIMENSIONS





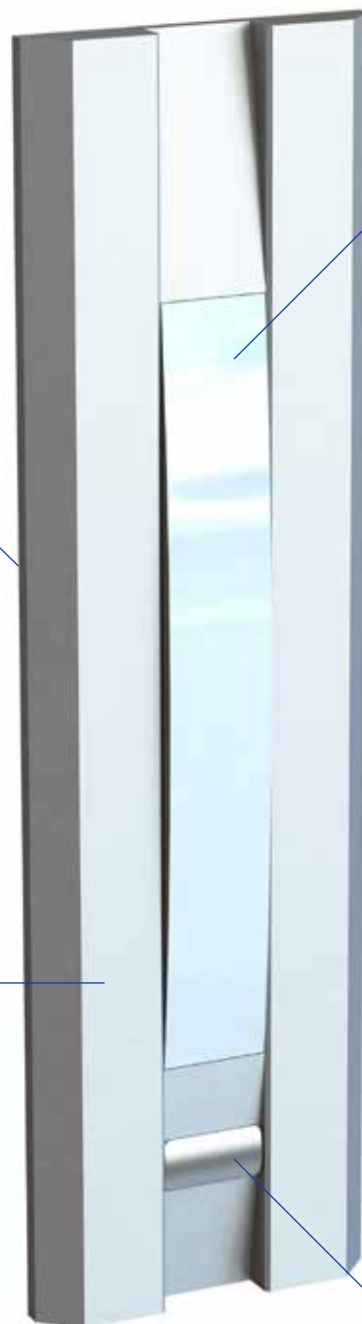
Fixing without visible screws

12 TO 24 Vac/dc circuit
operating voltage

Satin finish plexiglass diffuser

Silver or black anodised
aluminium front plate

Calling or door opening button



PLUS

- ▶ Elegant and innovative indicator lamps serie
- ▶ High efficiency LED lighting
- ▶ Standard Red / Green version as door status indicators
- ▶ White / Blue version as lighting system or step light
- ▶ Reduced dimensions for insertion on narrow doors
- ▶ External intercom version with the same dimensions

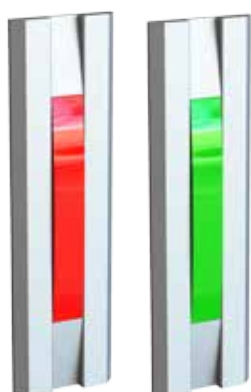


**PLUS EXAMPLE**

- 1 Closed door status indicator
- 2 Open door status indicator
- 3 Indicator for lighting and step light



Art.	Description
------	-------------



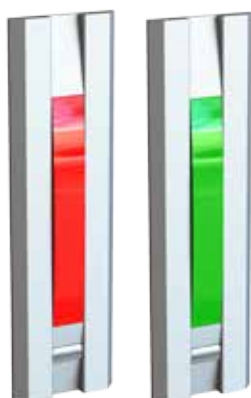
55030
55030BR
55030N

RED / GREEN INDICATOR LAMP

Front plate in anodized aluminium
External dimensions (mm) 140 x 40 x 6
Internal circuit dimensions (mm): 118 x 46 x 17
Operating Voltage 12/24 Vac/dc – 30 mA with LED on
Red / green high efficiency LED signalling
Selection jumper for fixed or flashing light

[Silver front plate](#)
[Bronze front plate](#)
[Black front plate](#)

On request: White / blue light



55031
55031BR
55031N

RED / GREEN INDICATOR LAMP WITH PUSH BUTTON

Front plate in anodized aluminium
External dimensions (mm) 140 x 40 x 6
Internal circuit dimensions (mm): 118 x 46 x 17
Operating Voltage 12/24 Vac/dc – 30 mA with LED on
Red / green high efficiency LED signalling
Selection jumper for fixed or flashing light
Opening or call push button with N.O. contact

[Silver front plate](#)
[Bronze front plate](#)
[Black front plate](#)

On request: White / blue light



55033
55033BR
55033N

INTERCOM PORTER

Front plate in anodized aluminium
External dimensions (mm) 140 x 40 x 6
Internal circuit dimensions (mm): 118 x 28 x 19
Operating voltage: 12 Vdc - 10 mA in stand-by / 100 mA in operation
Call push button with blue signalling LED for handset connection
Amplified system with loudspeaker and microphone compatible with standard 5 wires intercom systems
Separate adjustment of loudspeaker and microphone volumes via trimmers

[Silver front plate](#)
[Bronze front plate](#)
[Black front plate](#)





Art.	Description
RED / GREEN INDICATOR LAMP	
Front plate in anodized aluminium External dimensions (mm) 105 x 40 x 5 Internal circuit dimensions (mm): 80 x 26 x 16 Operating Voltage 12/24 Vac/dc – 60 mA with LED on Red / green high efficiency LED signalling diameter (mm) 20 Selection jumper for fixed or flashing light Command for LED selection with N.O. contacts	
55010	Silver front plate
55010N	Black front plate
55010BR	Bronze front plate
55010GD	Anodized gold front plate



RED / GREEN INDICATOR LAMP WITH PUSH BUTTON	
Front plate in anodized aluminium External dimensions (mm) 140 x 40 x 5 Internal circuit dimensions (mm): 100 x 26 x 16 Operational and electrical characteristics of the lamp indicator section are the same as article 55010 Opening or call push button with N.O. contact – N.C on demand	
55011	Silver front plate
55011N	Black front plate
55011BR	Bronze front plate
55011GD	Anodized gold front plate



RED / GREEN INDICATOR LAMP WITH PUSH BUTTON FOR INTERCOM CALL AND PORTER	
Front plate in anodized aluminium External dimensions (mm) 186 x 40 x 5 Internal circuit dimensions (mm): 162 x 33 x 16 Operational and electrical characteristics of the lamp indicator section are the same as article 55010 Porter intercom: Operating voltage: 12 Vdc - 10 mA in stand-by / 100 mA in operation Call push button with blue signalling LED for handset connection Amplified system with loudspeaker and microphone compatible with standard 5 wires intercom systems Separate adjustment of loudspeaker and microphone volumes via trimmers	
55012	Silver front plate
55012N	Black front plate
55012BR	Bronze front plate
55012GD	Anodized gold front plate



Art.	Description
------	-------------

OUTDOOR PORTER INTERCOM

Front plate in anodized aluminium
 External dimensions (mm) 105 x 40 x 5
 Internal circuit dimensions (mm): 80 x 33 x 16
 Operating voltage: 12 Vdc - 10 mA in stand-by / 100 mA in operation
 Call push button with blue signalling LED for handset connection
 Amplified system with loudspeaker and microphone compatible with standard 5 wires intercom systems
 Separate adjustment of loudspeaker and microphone volumes via trimmers

55013	Silver front plate
55013N	Black front plate
55013BR	Bronze front plate
55013GD	Anodized gold front plate



RED / GREEN INDICATOR LAMP WITH PUSH BUTTON FOR OPENING, CALL AND PORTER INTERCOM

Front plate in anodized aluminium
 External dimensions (mm) 210 x 40 x 5
 Internal circuit dimensions (mm): 183 x 33 x 16
 Operational and electrical characteristics of the lamp indicator section are the same as article 55010
 Porter intercom:
 Operating voltage: 12 Vdc - 10 mA in stand-by / 100 mA in operation
 Release push button for automatic opening
 Call push button with blue signalling LED for connection with the inside
 Amplified system with loudspeaker and microphone compatible with standard 5 wire intercom systems
 Separate adjustment of loudspeaker and microphone volumes via trimmers

55014	Silver front plate
55014N	Black front plate
55014BR	Bronze front plate
55014GD	Anodized gold front plate

AVAILABLE FINISHES







Silver





Gold (GD)

Bronze (BR)

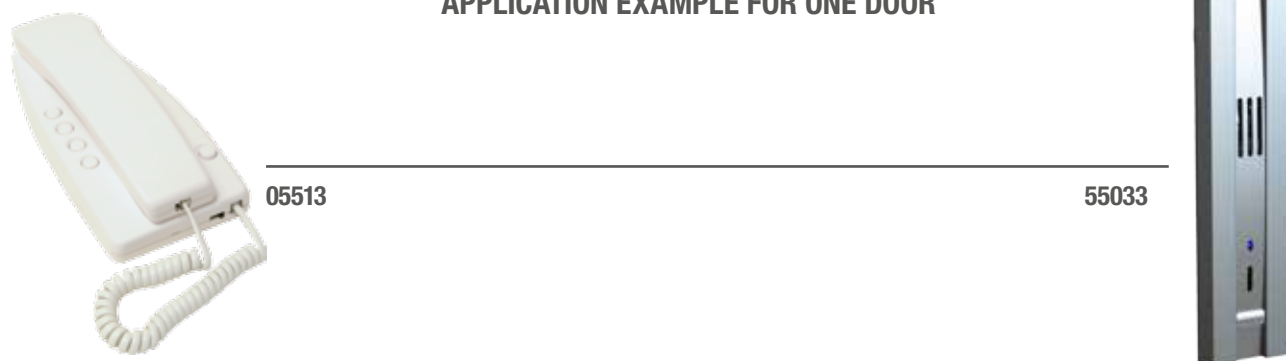
Black (N)

Art.	Description
	<p>OP04500 56 ALT / AVANTI INDICATOR LAMP (interchangeable with the Yale-corni traffic lights) Front plate in anodized aluminium with black polycarbonate film External dimensions (mm) 195 x 40 x 3,5 Internal circuit dimensions (mm): 135 x 35 x 25 Operating Voltage 12/24 Vac/dc – 25 mA Red / green high efficiency LED Selection jumper for fixed or flashing light Command for LED selection with N.O. contacts</p>
	<p>OP04500 58 ALT / AVANTI INDICATOR LAMP WITH INTERCOM FACILITIES (interchangeable with the Yale-corni traffic lights) Front plate in anodized aluminium with black polycarbonate film External dimensions (mm) 195 x 40 x 3,5 Internal circuit dimensions (mm): 175 x 35 x 30 Operating Voltage 12/24 Vac/dc – 25 mA Red / green high efficiency LED Selection jumper for fixed or flashing light Command for LED selection with N.O. contacts With loudspeaker and microphone Opening or call push button with N.O. contact To be used with porter 05515 – see page 186</p>
	<p>OP04501 56 RED / GREEN INDICATOR LAMP (interchangeable with the Yale-corni traffic lights) Front plate in anodized aluminium with black polycarbonate film External dimensions (mm) 160 x 40 x 3,5 Internal circuit dimensions (mm): 100 x 36 x 25 Operating Voltage 12/24 Vac/dc – 25 mA Selection jumper for fixed or flashing light Command for LED selection with N.O. contacts</p>
	<p>OP04501 58 RED / GREEN INDICATOR LAMP WITH INTERCOM FACILITIES (interchangeable with the Yale-corni traffic lights) Front plate in anodized aluminium with black polycarbonate film External dimensions (mm) 160 x 40 x 3,5 Internal circuit dimensions (mm): 141 x 37 x 30 Operating Voltage 12/24 Vac/dc – 25 mA Selection jumper for fixed or flashing light Command for LED selection with N.O. contacts With loudspeaker and microphone Opening or call push button with N.O. contact To be used with porter 05515 – see page 186</p>

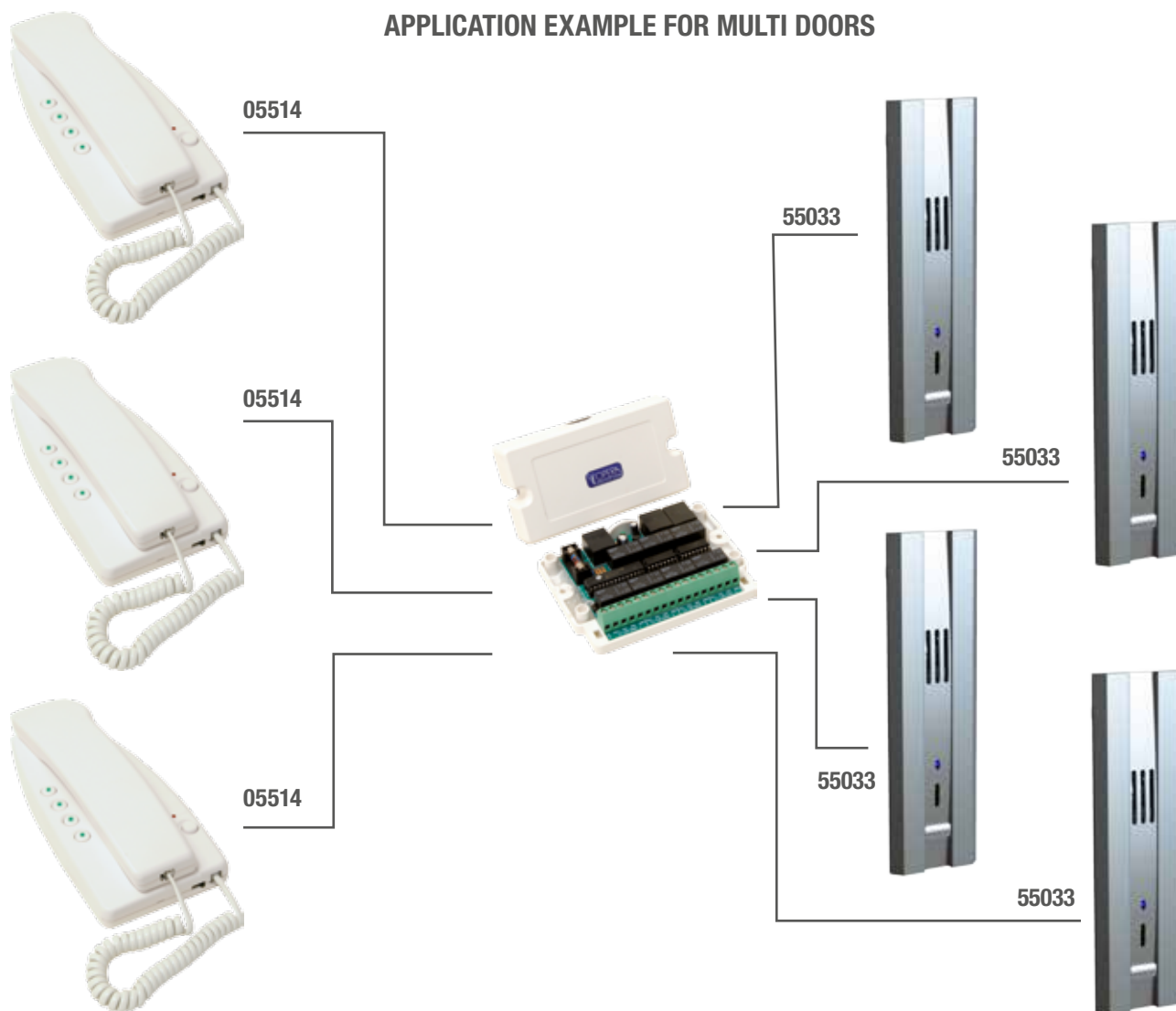


Art.	Description
 <p data-bbox="419 300 485 324">05512</p>	<p data-bbox="595 300 1110 360">ELECTRONIC CONTROL UNIT FOR MULTIPLE INTERCOM CONNECTIONS</p> <p data-bbox="595 367 1283 613">Container in white ABS Dimensions (mm): 111 x 72 x 29 Connection with screw terminal bloc to 4 outdoor porter intercoms (item 05515, 55012, 55013, 55014, 55033) Connection with 8 pole plug to 3 indoor multiport intercom handsets (05514) Operating voltage: 12 Vdc – 40 mA in stand-by 200 mA in communication</p> <p data-bbox="595 620 1262 680">Use: the control unit allows 4 outdoor intercom locations and 3 indoor handsets to be managed.</p> <p data-bbox="595 687 1254 748">The call coming from an outdoor intercom location is signalled on the multiport handsets via an acoustic and visible LED signal.</p> <p data-bbox="595 754 1238 815">The first handset which is picked up connects to the outdoor calling location, excluding the other two handsets.</p> <p data-bbox="595 822 1291 882">Further calls during the conversation are signalled on the 3 handsets and placed on hold according to the incoming order of priority.</p>
 <p data-bbox="419 943 485 967">05513</p>	<p data-bbox="595 943 858 967">INTERCOM HANDSET</p> <p data-bbox="595 974 1323 1167">Body in white colour ABS Intercom connection with standard 5 wires system Operating voltage: 12 Vdc from porter intercom Internal call buzzer at 12 Vdc Direct connection to the calling station N.O. push button for release contact function for one electromechanical lock</p>
 <p data-bbox="419 1357 485 1382">05514</p>	<p data-bbox="595 1357 1011 1382">MULTIPOINT INTERCOM HANDSET</p> <p data-bbox="595 1388 1318 1648">Body in white colour ABS Connection to multiport central control unit item 05512 via 8 pole connector plug Operating voltage: 12 Vdc from intercom control unit Visible signalling of calls via green LED Internal call buzzer at 12 Vdc Push button for selection function of one of the outdoor intercom stations and for "mute" selection signalled by red LED for buzzer deactivation</p>
 <p data-bbox="419 1789 485 1814">05515</p>	<p data-bbox="595 1789 839 1814">PORTER INTERCOM</p> <p data-bbox="595 1821 1310 2080">Body in black ABS, external dimensions mm 120 x 56 x 30 Internal circuit dimensions mm 80 x 33 x 16 Operating voltage: 12Vdc - 10mA in stand-by / 100 mA in operation Call push button with blue signalling LED for handset connection Amplified system with loudspeaker and microphone compatible with standard 5 wires intercom systems Separate adjustment of loudspeaker and microphone volumes via trimmers To be used with indicator lamps ref. OP04500 58 and OP04501 58</p>

APPLICATION EXAMPLE FOR ONE DOOR



APPLICATION EXAMPLE FOR MULTI DOORS



Art.	Description
------	-------------



55017
55017V
55017N
55017VN

DOOR RELEASE PUSH BUTTON

Front plate in anodized aluminium
 External dimensions (mm) 105 x 40 x 5
 Internal depth dimensions (mm): 23
 Release push button with C./N.O./N.C. contact
 Electrical characteristics: 5A @ 250 Vac - 6 A @ 24 Vdc

Front plate in silver with "Apriporta" silk screening – red button
Front plate in silver with "Apriporta" silk screening – green button
Front plate in black with "Apriporta" silk screening – red button
Front plate in black with "Apriporta" silk screening – green button



55017D
55017DV
55017DN
55017DVN

HANDICAP DOOR RELEASE PUSH BUTTON

Front plate in anodized aluminium
 External dimensions (mm) 105 x 40 x 5
 Internal depth dimensions (mm): 23
 Release push button with C./N.O./N.C. contact
 Electrical characteristics: 5A @ 250 Vac - 6 A @ 24 Vdc

Front plate in silver with "Apriporta" and handicap icon – red button
Front plate in silver with "Apriporta" and handicap icon – green button
Front plate in black with "Apriporta" and handicap icon – red button
Front plate in black with "Apriporta" and handicap icon – green button



55018
55018V
55018N
55018VN

FIRE-RELEASE PUSH BUTTON FOR FIRE DOORS

Front plate in anodized aluminium
 External dimensions (mm) 105 x 40 x 5
 Internal depth dimensions (mm): 23
 Release push button with C./N.O./N.C. contact
 Electrical characteristics: 5A @ 250 Vac - 6 A @ 24 Vdc

Front plate in silver with "Chiudiporta" – red button
Front plate in silver with "Chiudiporta" – green button
Front plate in black with "Chiudiporta" – red button
Front plate in black with "Chiudiporta" – green button

Art.	Description
------	-------------



55020
55020EX
55020NT

ANTI-VANDAL DOOR RELEASE PUSH BUTTON FOR EXIT

Front plate in stainless steel
External dimensions (mm) 85 x 85 x 2 – British standard
Internal depth dimensions (mm): 28
Release push button with C./N.O./N.C. contact
Electrical characteristics: 5A @ 250 Vac - 6 A @ 24 Vdc
Round push button in stainless steel with green plastic edge

"Uscita" silk screen in green
"Exit" silk screen in green
Without writing

NEW



55021

EXIT BUTTON

Front plate in stainless steel
External dimensions (mm) 85 x 85 x 2 – British standard
Internal depth dimensions (mm): 28
Release push button with C./N.O./N.C. contact
Electrical characteristics: 5A @ 250 Vac - 6 A @ 24 Vdc
Round button in green plastic

Silk screen "Press to Exit" in green colour

NEW



55022

EXIT BUTTON

Front plate in stainless steel
External dimensions (mm) 87 x 37 x 3
Internal depth dimensions (mm): 23
Release push button with C./N.O./N.C. contact
Electrical characteristics: 3A @ 125 Vac - 6 A @ 24 Vdc

NEW



55023

EXIT BUTTON

Front plate in stainless steel
External dimensions (mm) 87 x 37 x 3
Internal depth dimensions (mm): 23
Release push button with C./N.O./N.C. contact
Blue LED Status indicator
Electrical characteristics: 3A @ 125 Vac - 6 A @ 24 Vdc



01780

BOX FOR FLUSH MOUNT/APPLICATION MOUNT BUTTON

Body: in silver colour aluminium
Dimensions (mm): 85.5 x 85.5 x 38.5 – British standard
Use: box for flush or application mount for push button item art. 55020 and 55021



Art.	Description	
------	-------------	--



55040
55040N

MOMENTARY KEY SWITCH FOR EURO-PROFILE CYLINDER

Abs body with stainless steel cover plate
 Dimensions (mm): 110 x 38 x 39
 Maintained SPDT micro switch
 Switch rating: 5A/125VAC
 Can be used with Euro-profile cylinder dimensions 45 mm. (30 + 10 + 5)

Stainless steel cover plate
Stainless steel cover plate black painted

Use: Key switch to activate electric equipment



05540
05540N

SURFACE MOUNTING BOX

S.a.a. Body
 Dimensions (mm.): 110 x 38 x 46

Silver finish
Black finish

Use: Surface or mortice box for art. 55040

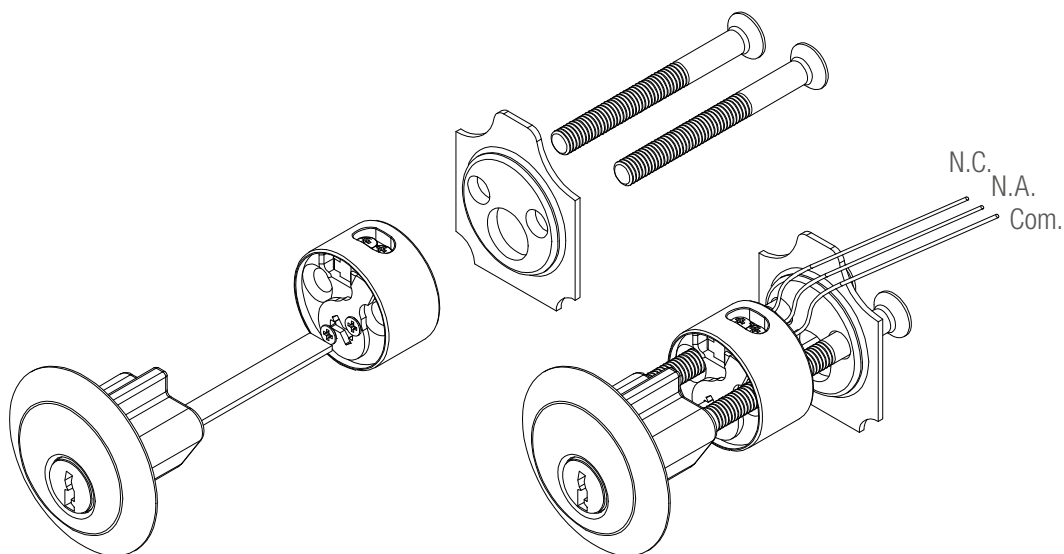


55041

MOMENTARY KEY SWITCH FOR ROUND CYLINDER

Brass body
 Dimensions (mm) : 30 x 17
 Release push button with C./N.O./N.C. contact, Switch rating: 5A / 125VAC

Use: Key switch to activate electric equipment



Art.

Description

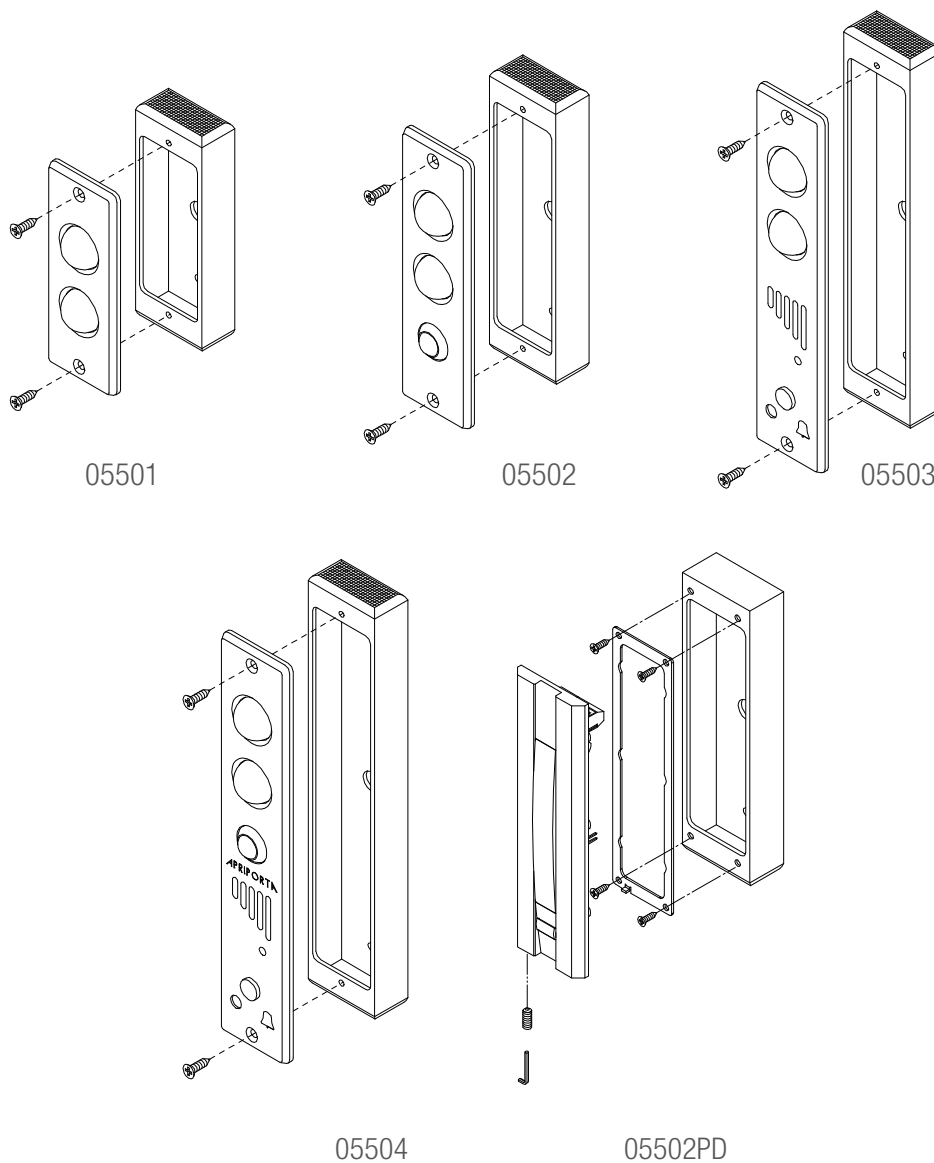
**BOX FOR INDICATOR LAMP SYSTEM
FOR SURFACE FIXING**

External dimensions (mm): 40 x 20 x indicator lamp front plate length

Box in silver anodized aluminium:

05501For article 55010 - 55013 - 55017 - 55018**05502**For article 55011**05502PD**For article 55030-55031-55033**05503**For article 55012**05504**For article 55014

Anodized black colour box

05501NFor article 55010N - 55013N - 55017N - 55018N**05502N**For article 55011N**05502PDN**For article 55030N -55031N-55033N**05503N**For article 55012N**05504N**For article 55014N**Art. + GD****On request:**Anodized gold box (i.e. 55010GD)**Art. + BR**Anodized bronze box (i.e. 05501BR)

Art.	Description
------	-------------

05257

INTERCOM INTERFACE FOR ELECTRIC LOCKS

ABS enclosure dimensions: mm mm 97 x 141 x 22

Input power: 9 – 12 Vac

Output: electrically operated lock activation from relay with free contact C/NO/NC timed at 5-10-15-20 s

Output fault signalling for intercom button stuck: relay with voltage free contact C/NO

Use: allows, in addition to door relay function in installations equipped with electronic locks, to protect the lock if the intercom button is constantly pushed, disabling all command devices and reporting the failure.

05258

RELAY CIRCUIT FOR INTERCOM OPENING COMMAND

Circuit dimensions (mm): 58 x 15 x 18

Input operating voltage: 9 – 12 Vac/Vdc

Output: relay with dry contact C./N.O./N.C

Use: this circuit allows the 12 Vac contact to be transformed for activation of the traditional electromechanical lock which comes from the intercom system with N.O. dry contact necessary for activation of the solenoid lock opening command. Can be used with all electromagnets in the Safety series, all solenoid locks in the Quadra series (in combination with their control units), the Prima series, Classica, Maxima series (combined with their control units)05259-12
05259-24**MAGNETIC SENSOR CONTACT CIRCUIT**

Circuit dimensions (mm): 50 x 40 x 20

Input operating voltage: 12 Vdc or 24Vdc

Minimum command current: 0,5 mA -IN / 1 mA +IN

Output: relay with dry contact C./N.O./N.C

Relay contact current: 10 A - 28 Vdc / 120 Vac

Operating voltage: 12Vdc

Operating voltage: 24Vdc

Use: this circuit allows the N.O. contact of the magnetic sensor to be transformed into a dry N.O. relay contact necessary to activate signalling. For use with all solenoid locks in the Quadra, Prima, Classica, Maxima series or magnetic sensors item 02221 and 02223

05260

TIMING CIRCUIT FOR AUTOMATIC DOORS

Circuit dimensions (mm): 71 x 48 x 16

Box in ABS dimensions (mm) 120 x 56 x 30

Input operating voltage: 12/24 Vac/Vdc

Output: relay with dry contact C./N.O./N.C

Activation delay timing relay adjustment from 0 to 60 seconds

Activation timing relay adjustment from 0 to 60 seconds

Use: this circuit allows a security electromechanical lock from the Quadra, Prima, Classica, Maxima series to be used with motorisation of door opening. Confirmation of latch opening on the electromechanical lock generates, after a pre-established time, activation of a pulse contact on the relay for opening of the motorisation

05261

VOICE CIRCUIT

Box in ABS dimensions (mm) 160 x 100 x 43

Input operating voltage: 12/24 Vac/Vdc

Current : 30 mA in stand-by /up to 200 mA with message active

Microphone built into the board for message recording

Push button on the board to activate recording

Record/playback switch





Amplified output for direct connection of a loudspeaker

Output power 1 W - 4 ohm

4 N.O. inputs for playback activation

Total time for messages: 40 seconds - Yellow playback indicator LED (Play) - Red recording indicator LED (Rec)

Use: this circuit allows up to 4 voice messages to be recorded which can be activated for playback by 4 dry contacts

Art.	Description
 <p data-bbox="419 300 485 324">02221</p>	<p data-bbox="595 300 1118 324">MAGNETIC SENSOR FOR MORTICE FIXING</p> <p data-bbox="595 333 1011 358">Magnetic door alignment verification sensor</p> <p data-bbox="595 367 817 392">Body in threaded brass</p> <p data-bbox="595 400 807 425">Brackets in black ABS</p> <p data-bbox="595 434 1023 459">Dimensions of the bracket (mm): 50 x 20 x 3</p> <p data-bbox="595 468 925 492">Internal depth dimension (mm): 28</p> <p data-bbox="595 501 1003 526">Magnet and sensor adjustable in extension</p> <p data-bbox="595 535 777 560">2 wires connection</p> <p data-bbox="595 568 967 593">N.O. output contact (N.C. with magnet)</p> <p data-bbox="595 602 1225 627">Maximum rating: 200 Vdc / 500 mA (10 VA max) on resistive load</p> <p data-bbox="595 636 935 660">Operating temperature: -5/+ 50 °C</p> <p data-bbox="595 669 836 694">Operating range: 12 mm.</p>
 <p data-bbox="419 725 485 750">02223</p>	<p data-bbox="595 725 1118 750">MAGNETIC SENSOR FOR SURFACE FIXING</p> <p data-bbox="595 759 1011 784">Magnetic door alignment verification sensor</p> <p data-bbox="595 792 1082 817">Support for surface fixing in white plastic container</p> <p data-bbox="595 826 1023 851">Dimensions of the bracket (mm): 60 x 16 x 5</p> <p data-bbox="595 860 777 884">2 wires connection</p> <p data-bbox="595 893 967 918">N.O. output contact (N.C. with magnet)</p> <p data-bbox="595 927 1225 952">Maximum rating: 200 Vdc / 500 mA (10 VA max) on resistive load</p> <p data-bbox="595 960 935 985">Operating temperature: +5/+40 °C</p> <p data-bbox="595 994 836 1019">Operating range: 40 mm.</p>
 <p data-bbox="419 1151 485 1176">02225</p>	<p data-bbox="595 1151 959 1176">DOOR MECHANICAL SENSOR</p> <p data-bbox="595 1184 1023 1209">Mechanical contact for door status signalling</p> <p data-bbox="595 1218 991 1243">Body dimensions (mm): 28 x diameter 20</p> <p data-bbox="595 1252 1034 1276">Front plate in stainless steel (mm) 42 x 23 x 3</p> <p data-bbox="595 1285 1115 1310">Body in oxidised aluminium - anodic build-up oxidation</p> <p data-bbox="595 1319 802 1344">Ball in hardened steel</p> <p data-bbox="595 1352 900 1377">Ball body adjustment of 10 mm.</p> <p data-bbox="595 1386 887 1411">C. / N.O. / N.C. output contact</p> <p data-bbox="595 1420 900 1444">Maximum rating: 1.5 A – 250 V</p> <p data-bbox="595 1453 975 1478">Supplied with 15 cm of three wire cable</p>
 <p data-bbox="419 1599 485 1624">08700</p>	<p data-bbox="595 1599 959 1624">ANTI-REBOUND BALL-CATCH</p> <p data-bbox="595 1632 1131 1657">Ball with spring adjustment for insertion on swing doors.</p> <p data-bbox="595 1666 847 1691">Body in nickel plated steel</p> <p data-bbox="595 1700 999 1724">Ball front plate and strike in stainless steel</p> <p data-bbox="595 1733 991 1758">Front plate dimensions (mm): 55 x 25 x 3</p> <p data-bbox="595 1767 900 1792">Depth of the ball body (mm): 30</p> <p data-bbox="595 1800 1243 1848">Use: anti-rebound system for swing doors with electronic locks with relocking via alignment sensor.</p> <p data-bbox="595 1856 1262 1904">Ideal for heavy doors where realignment is made difficult by excessive rebounds of the door during approach which may prejudice the proper operation of the electromechanical lock.</p>



Art.	Description
------	-------------



02208
02208R

ARMATURE PLATE FOR QUADRA MICRO SERIES SOLENOID LOCKS

Armature plate in stainless steel (mm) 80 x 25 x 3

Without magnet

With magnet adjustable in extension



02218
02218R

ARMATURE PLATE FOR QUADRA SERIES SOLENOID LOCKS

Armature plate in stainless steel (mm) 100 x 40 x 3

Without magnet

With magnet adjustable in extension



02258D
02258DSA

ARMATURE PLATE FOR PRIMA AND CLASSICA SERIES SOLENOID LOCKS WITH FIXED MAGNET

Normally supplied with solenoid bolt 246, 248, 256, 258, 268, 278, OP:

Armature plate in stainless steel (mm) 150 x 25 x 3

Armature plate in stainless steel (mm) 150 x 25 x 3

with anti-rebound ball-catch

02259
02259SA

Normally supplied with solenoid bolt 259,279

Armature plate in stainless steel (mm) 150 x 25 x 3

Armature plate in stainless steel (mm) 150 x 25 x 3

with anti-rebound ball-catch



02260D
02260DSA

STRIKING PLATE FOR CLASSICA SERIES SOLENOID LOCKS, SUPPLIED WITH RIM COVER

Dimensions: mm 160 x 25 x 3

Armature plate in stainless steel

Armature plate in stainless steel with anti-rebound ball-catch

Standard supplied with the carter package serie Classica art. 02708



02255

ARMATURE PLATE FOR MAXIMA SERIES SOLENOID LOCKS

Armature plate in stainless steel with anti-rebound ball-catch

(stroke adjustable at exit to 15)

Dimensions (mm): 216 x 30 x 3



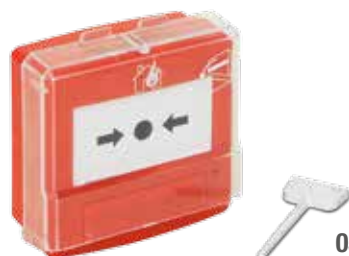
CABLE COVERS - ANTI-REBOUND BALL-CATCH

Art.	Description
 <p>08600</p>	<p>CONCEALED CABLE COVER Flexible spring in chromium plated steel with internal diameter of 10 mm. Box for insertion into the door profile in chromium plated steel Box for mortice fixing dimensions (mm): 260 x 24 x 16 Use: concealed cable cover for direct passage of the wires between the door and the frame.</p>
 <p>08601</p>	<p>DOOR LOOP WITH CABLES AND PLUG-IN CONNECTORS Flexible spring steel with internal diameter of 10 mm Box for mortice fixing dimensions (mm): 260 x 24 x 16 Supplied with 2 cables 1Mt long and 4,5 mt on the other side - 8 poles plug-in connector . 8 wires 0,22mm diameter The 08601 door loop, mounted in the hinge of the door, is completely hidden when the door is in the closed position</p>
 <p>08605</p>	<p>CONCEALED CABLE COVER Flexible spring in chromium plated steel with internal diameter of 11 mm. Front plate in black painted steel. Tube length (mm) 88 Use: concealed cable cover for direct passage of the wires between the door and the frame</p>
 <p>08608</p>	<p>CABLE COVER ONLY FLEXIBLE Flexible spring in chromium plated steel with external diameter of 9,5mm and internal diameter mm 7. Length (mm) 214 Use: external cable cover for direct passage of the wires between the door and the frame</p>
 <p>08610 08619 08620</p>	<p>CABLE COVER ONLY FLEXIBLE Flexible spring in chromium plated steel with external diameter mm 14 and internal diameter of 10 mm. <u>Length (mm) 250</u> <u>Length (mm) 420</u> <u>Length (mm) 600</u> Use: external cable cover for direct passage of the wires between the door and the frame</p>
 <p>08630</p>	<p>CABLE COVER ONLY FLEXIBLE Flexible spring in chromium plated steel with fixing terminals in black plastic Terminal dimension (mm): 35 x 30 x 13. Internal diameter (mm) 8 <u>Length (mm) 430</u> Use: external cable cover for direct passage of the wires between the door and the frame</p>
 <p>08640 08641</p>	<p>CABLE COVER ONLY FLEXIBLE Flexible spring in chromium plated steel with fixing terminals in aluminium alloy Terminal dimension (mm): 47 x 39 x 22. Internal diameter (mm) 8 <u>Length (mm) 500</u> <u>Length (mm) 710</u> Use: external cable cover for direct passage of the wires between the door and the frame</p>
 <p>08650</p>	<p>TAPPET CONTACTS - ELECTRIC CONTACT Pair of pressure tappet contacts for electric lock (not electronic lock or solenoid bolt) Voltage: 12/24 Vac/dc - Max current: 5A Front plate in black plastic, dimensions mm 47 x 16 x 4</p>



Art.

Description



05110R
05110V
05110G

BOX FOR PUSH BUTTON ALARM ACTIVATION WITH MANUAL RESET

Container in ABS
Dimensions (mm): 99 x 95 x 43
C. / N.O. / N.C. internal switching contact
Manual rearming of the contact
IP rating: IP41

Transparent Plexiglas cover for protection of the box's activation push button

Red box (for connection in fire prevention systems)

Green box (for connection to emergency exits)

Yellow box

Use: pressing the plastic front plate activates switching of the electrical contact

Compliance: EN54-11 (05110R)



05210

TRANSFORMER FOR MAXIMA SERIES MOTORISED LOCKS

Dimensions (mm): 110 x 75 x 68
Primary operating voltage: 230 Vac - 50/60 Hz.
Secondary operating voltage: 10 Vac
Power: 65 V.A. - Isolation class: II
Carter in self-extinguishing plastic material
Terminal block with screw connections

Use: power transformer to alternating current for electronic command unit
Art. 54250 (spare for Art. 54255) Maxima series



05211

TRANSFORMER FOR OMNIA SERIES ELECTRIC STRIKES

Dimensions (mm): 70 x 58 x 40
Primary operating voltage: 230 Vac - 50/60 Hz.
Secondary operating voltage: 12 Vac
Power: 10 V.A. - Isolation class: II
Carter in self-extinguishing plastic material
Terminal block with screw connections

Use: power transformer to alternating current for Omnia series electric strikes



05301C

WEEKLY PROGRAMMABLE TIMER WITH CALENDAR

230 Vac power
Output: switching relay with C./N.O./N.C contacts
Relay rating: 250 Vac / 16 A - 12 Vdc / 4 A
Internal lithium battery with charge reserve for 5 years without power
Preset date and time
Automatic switch for daylight savings time
Weekly and daily programming
Time programming by hour and minutes
Programming key and saving of memorised data

Use: weekly timer for automatic opening and relocking of electromechanical locks according to preset times. For use with electromagnets, electric strikes in continuous current and solenoid locks.

Art.	Description
------	-------------

05310

POWER SUPPLY WITH TIME DELAY

Grey ABS Box
 Dimensions: 129 (L) x 73 (W) x 50 (D) mm
 Input Power: 100-240 Vac, 50/60 Hz
 Output voltage 1: 1.5A/12 Vdc (Timer)
 (for both fail safe and fail secure electric locks)
 Output voltage 2: 1A/12 VDC
 Adjustable time: 0 ~ 45 seconds
 Weight: 0.22 kg
 N.O.input for push button



05312A
 05325A
 05326A

SWITCHING POWER SUPPLY FOR BACKUP BATTERY

Wall mount container in inspectable grey ABS
 Dimensions (mm): 300 x 225 x 130 (mm 395 x 310 x 130 for item 05326A)
 Regulated power supply with switching technology
 Input in alternating current: 230 Vac
 Output for battery charging with control circuit for charge voltage
 Overload protection
 Short circuit protection

Output:
12 Vdc (13.8 Vdc) / 3 A
24 Vdc (27.6 Vdc) / 3 A
24 Vdc (27.6 Vdc) / 10 A

SWITCHING POWER SUPPLY

Container in metal with ventilation holes
 Regulated power supply with switching technology
 Input in alternating current: 230 Vac
 Output for battery charging with control circuit for charge voltage
 Overload and short circuit protection



05320A
 05330XSA
 05331A
 05332A

Output:
12 Vdc (13.8 Vdc) / 3.0 A – dimension (mm) 130 x 99 x 38
24 Vdc (27.6 Vdc) / 1 A – dimension (mm) 85 x 58 x 38
24 Vdc (27.6 Vdc) / 3 A – dimension (mm) 159 x 99 x 38
24 Vdc (27.6 Vdc) / 10 A – dimension (mm) 215 x 115 x 50

05330BD

SWITCHING POWER SUPPLY

Abs container for Din rail
 230 Vac – 24 Vdc / 1 A Power Supply
 Dimensions: 130 x 99 x 38

Use: For Linea Hotel products




**BATTERIES**

12 Vdc rechargeable lead batteries

00112
 00212
 00712

Power: 1.2 Ah for Art. 52002 (mm 97 x 42 x 53)
 Power: 2.2 Ah (mm 177 x 60 x 35)
 Power: 7 Ah (mm 151 x 94 x 65)



Art.	Description	
<p data-bbox="419 297 485 324">55414</p> 	<p data-bbox="595 293 927 324">FOUR CHANNEL RECEIVER</p> <p data-bbox="595 331 1318 772">Container in grey or black ABS Container size: 200 x 75 x 40 Circuit dimensions (mm): 58 x 58 Operating voltage: 12/24 Vac/Vdc Current: 50 mA max with relays active Frequency 433.92 MHz Programmable codes: 199 different codes with standard 12-64 bit or Rolling Code Output: via C./N.A relay contacts in pulse, bistable or timed bistable mode 1 C./N.O./N.C switching relay with 5A rating 171 C./N.O contact relays with 1A rating Range: 50/80 metres with wire antenna supplied in the package Features: four channel self learning receiver for management of four separate opening commands (example: separate opening of the two doors in any interlocking system and two single doors)</p>	
<p data-bbox="419 813 485 840">55416</p> 	<p data-bbox="595 808 917 840">TWO CHANNEL RECEIVER</p> <p data-bbox="595 846 1318 1288">Container in grey or black ABS Container size: 200 x 75 x 40 Circuit dimensions (mm): 58 x 58 Operating voltage: 12/24 Vac/Vdc Current: 50 mA max with relays active Frequency 433.92 MHz Programmable codes: 199 different codes with standard 12-64 bit or Rolling Code Output: via C./N.A relay contacts in pulse, bistable or timed bistable mode 1 C./N.O./N.C switching relay with 1A rating 1 C./N.O contact relays with 1A rating Rating: 50/80 metres with wire antenna supplied in the package Features: two channel self learning receiver for two separate opening commands (example: separate opening of the two doors in any interlocking system)</p>	
<p data-bbox="419 1328 485 1355">55417</p> 	<p data-bbox="595 1323 1016 1355">SINGLE CHANNEL MINI RECEIVER</p> <p data-bbox="595 1361 1318 1675">Container in black ABS Container size: 70 x 46 x 21 Circuit dimensions (mm): 47 x 26 Operating voltage: 12/24 Vac/Vdc Current: 50 mA max with relay active Frequency 433.92 MHz Programmable codes: 23 different codes or Rolling Code Output: via C./N.A relay contacts in stable or bistable mode Rating: 50/80 metres with wire antenna supplied in the package Features: single channel self learning receiver for opening command of a door</p>	
<p data-bbox="419 1709 485 1736">55418</p> 	<p data-bbox="595 1704 1016 1736">SINGLE CHANNEL MINI RECEIVER</p> <p data-bbox="595 1742 1318 2157">Container in black ABS Container size: 77 x 37 x 21 Circuit dimensions (mm): 47 x 26 Operating voltage: 12/24 Vac/Vdc Current: 50 mA max with relay active Frequency 433.92 MHz Programmable codes: 23 different fixed codes or Rolling Code Output: via C./N.A relay contacts in stable or bistable mode Rating: 50/80 metres with wire antenna supplied in the package Features: single channel receiver for opening command of a door Use: allows remote control in an extremely simple way of any electromechanical lock without the aid of an ulterior supplementary power supply. For this reason it can also be applied to any already installed electromechanical lock.</p>	

Art.

Description



55420
55420RC

TWO CHANNEL REMOTE CONTROL

Body in silver and black polycarbonate
 Dimensions (mm): 53 x 26 x 14
 Red indicator LED for pressing of the buttons
 Operating voltage: 6 V alkaline battery type 11A
 Frequency 433.92 MHz
 Programming: self learning and auto generating of the codes

Standard encoding up to 96 bit
Rolling Code Encoding

Features: remote control with two separate channels, ideal to operate individually on the opening commands of two different doors

Use: for use with all 554 series receivers



55421
55421RC

FOUR CHANNEL REMOTE CONTROL

Body in polycarbonate
 Dimensions (mm): 63 x 36 x 14
 Red indicator LED for pressing of the buttons
 Operating voltage: 6 V alkaline battery type 11A
 Frequency 433.92 MHz
 Programming: self learning and auto generating of the codes

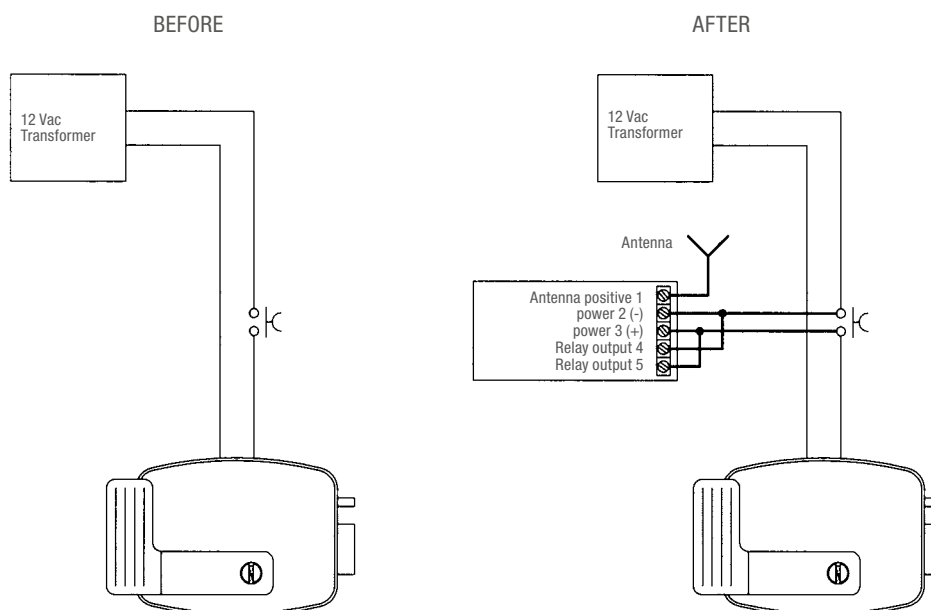
Standard encryption up to 96 bit
Rolling Code Encoding

Features: remote control with four separate channels, ideal to operate individually on the opening commands of four different doors

Use: for use with all 554 series receivers

REMOTE CONTROL - APPLICATION EXAMPLE

Single channel mini receiver 55418 for electric locks



LINEA HOTEL

- ▶ CUSTOMIZED FINISH WITH INTRODUCTION ON ALL ELECTRIC SOCKETS
- ▶ STAND-ALONE SYSTEM FOR EACH ROOM
- ▶ CHIP CARD OR TRANSPONDER READING
- ▶ CONNECTION TO THE CONTROL UNIT THROUGH RS-485 NETWORK
- ▶ PC SOFTWARE FOR CUSTOMERS CARDS AND SERVICES MANAGEMENT
- ▶ TO BE MATCHED WITH 12 VDC/250 MA ELECTRIC STRIKES



OPEN



Front plate customizable

Power 24Vdc

LED/RGB frame
with 7 colours customizable

Colours RGB

Usable on standard boxes

Transponder reader RFID

Customization



PLUS

- ▶ Stand alone system for hotel rooms
- ▶ Reading on MIFARE cards
- ▶ Usable with electric strikes or electric locks
- ▶ Software for managing card from PC



SYSTEM ARCHITECTURE

INTERIOR

Card reader
CURRENT ACTIVATION



EXTERIOR



Art.	Description
------	-------------



55510RF
55510RFZC

CENTRAL UNIT AND CARD READER

Central unit with card reader RFID. It can be used as door opener if used singularly or as reader/room current activator if used with reader item code 55514RF.

Dimensions: mm 120 x 120 x 44

Plexiglass front plate black glossy (on demand white glossy) with LED lighting RGB (7 colours available).

Power source and commands: 24 Vdc from power supply item code 05330.

3A relay output for users activation

Open collector auxiliary output for external relay 24 Vdc

Real Time Clock to manage cards validity

Connection to the transponder reader via a 5 connectors cable or a 3 connectors coaxial cable.

Inserted card LED signalling

Central Unit / RFID reader version

Central Unit / RFID reader for common zone opening version

Use: internal room reader for power supply activation via the identification of a transponder card

55510RFA

CARD READER FOR CURRENT ACTIVATION

Transponder reader to be connected to the central unit reader item code 55514RF

Rim version

Dimensions: mm.120 x 120 x 44

Plexiglass front plate black glossy (on demand white glossy) with LED lighting RGB (7 colours available).

Power source 24Vdc via 05330BD

Connection to the transponder reader via a 5 connectors cable or a 3 connectors coaxial cable.

LED signalling when card is inserted in the internal reader to activate room power supply.

Use: transponder reader for external room access via transponder card



55514RF

TRANSPONDER CARDS READER

Transponder reader to be connected to the central unit reader item code 55510RF

Rim version

Dimensions: mm.120 x 120 x 44

Plexiglass front plate black glossy (on demand white glossy) with LED lighting RGB (7 colours available).

Power source and commands via reader item code 55510RF

Connection to the transponder reader via a 5 connectors cable or a 3 connectors coaxial cable.

LED signalling when card is inserted in the internal reader to activate room power supply.

Use: transponder reader for external room access via transponder card



Art.

Description

NEW

55510ZC

MODULAR STAND ALONE ELECTRONIC UNIT

Container in black ABS for mounting on DIN rail
 Dimensions (mm): 90x70x58
 Power supply: 230Vac
 Real Time Clock to manage cards validity
 Power output 12Vdc/250Ma for electric lock
 Power output 24Vdc for cards reader

- Common area controller

Use: Electronic unit for management of the common area by means of card reader 55514

NEW

55512

CARD READER FOR CURRENT ACTIVATION

Basic version
 Card insertion reader in black ABS
 Front surface in silver polycarbonate
 Reader for 3 position flush mount container (placard series for flush mount must be specified) - Supplied without front placard
 Dimensions (mm): 66 x 50 x 44
 Operating voltage and commands: 24 Vdc from electronics Art. 55510
 Connection with the control unit via 2 wires
 Internal 5 A double switching relay
 Red flashing LED for reader indication, fixed access LED for indication of inserted card
 Function selectable for operation via dimensional recognition (on request chip card recognition)

Use: reader inside room for activation of electricity via insertion of any card

NEW

55514

TRANSPONDER CARD READER

Reader in black ABS. Front surface in silver polycarbonate
 Reader for 3 position flush mount container (placard series for flush mount must be specified) - Supplied without front placard
 Dimensions (mm): 66 x 50 x 44
 Operating voltage and commands: 24 Vdc from electronics Art. 55510ZC
 Connection with the control unit: RS-485. 24 Vdc output for connection of external relay for activation of courtesy light or door opening. Call push button
 Red LED for occupied indication, Red LED for do not disturb indication, Yellow LED for alarm indication, Green LED for door open indication
 Max badges:
 - user cards
 - service card differentiated by user number

Use: external room reader for door opening



Art.	Description
------	-------------



55516
55516SLA
55516SLB

TRANSPONDER CARD

RFID mayfair technology user card which can be encoded with a special programmer
 For use with card reader Art. 55514 - 55510RF - 55510RFZC - 55514RF
 Dimensions (mm): 86 x 54 x 0.8
Neutral
Four-colour customer silk screen on one side
Four-colour customer silk screen on two sides



55519

TRANSPONDER CARD PROGRAMMER FOR CONNECTION TO PC

Table top writer in black ABS
 Container size (mm): 113 x 92 x 20
 Maximum remote distance from the reader: up to 1.5 mt.
 Connection: via USB port
 Operating voltage: via PC
 LED for indication of operating status
 Complete with installation software



05330BD

SWITCHING POWER SUPPLY

Abs container for Din rail
 230 Vac – 24 Vdc / 1 A Power Supply
 Dimensions: 130 x 99 x 38

Art.

Description

55520

PC MANAGEMENT SOFTWARE

The Hotel software program allows automated management of the services present in the rooms of a hotel structure. In fact, with its simple, intuitive user interface, it allows monitoring of the situation in each room and/or lodging and alerting of the operator who has a central PC located in a remote position from the monitored areas.

It also allows activation and deactivation of access to determined areas in the structure through the use of Chip cards or Transponder cards. The Hotel software specifically offers optimisation of costs and energy consumption, providing the management with significant savings.

Features:

- Customer card programming
- Service card programming
- Check out cancellation card programming
- Insertion / modification of access parameters
- Card verification
- Available room list
- Occupied room list
- Rooms in Check-Out phase list
- Services list with relative access parameters

Viewing of the room situation to know

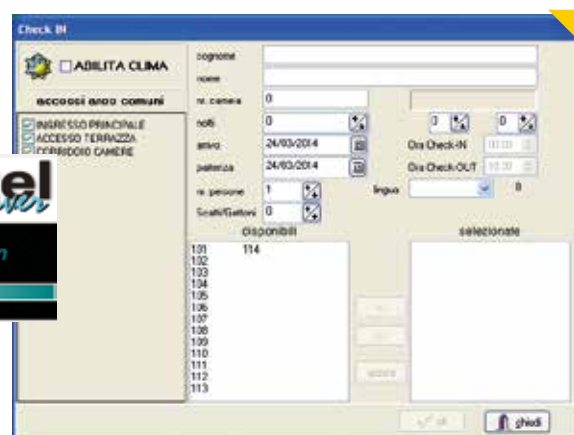
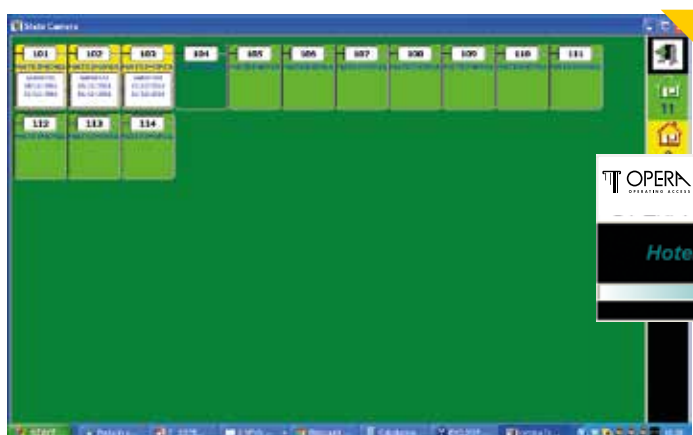
- which and how many of the rooms are free
- which and how many of the rooms are reserved
- the check-in and check-out date
- the customer's name

Toolbar with:

- Table window recall button
- Check-In window recall button
- Check-Out window recall button
- Card Verifications window recall button
- Common Areas window recall button
- Program exit button

Window to view all of the Common Areas set up in the system, ordered by name. In each figure showing the Area all associated accesses are listed, indicating whether they are accesses reserved for personnel or if they are accesses enabled for the customers also.

Use: PC software for management and programming of transponder or chip cards



Art.	Description
------	-------------

NEW



55530

MODULAR STAND - ALONE MANAGEMENT ELECTRONICS

Stand-Alone electronics to manage a card reader

ABS case for DIN rail – dimensions (mm): 105 x 90 x 73

Maximum remote distance from the reader: up to 10 mt.

230 Vac power

Real time clock to maintain date and time with backup battery

Serial line for connection to the data centerSerial line RS-485 for connection to the relays slave units2 slave units 55531 applicable

NEW



55531

RELAY MODULE

ABS case for DIN rail – dimensions (mm): 105 x 90 x 73

Power supply from electronic 55530

8 relays module to manage 8 different locks

Relay contact with dry contact C./N.O./N.C

Serial line RS-485 for connection to the electronic 55530

NEW



55514RF

TRANSPONDER CARDS READER

Transponder reader to be connected to the central unit reader item code 55510RF

Rim version

Dimensions: mm.120 x 120 x 44

Plexiglass front plate black glossy (on demand white glossy) with LED lighting RGB (7 colours available).

Power source and commands via reader item code 55510RF

Connection to the transponder reader via a 5 connectors cable or a 3 connectors coaxial cable.

LED signalling when card is inserted in the internal reader to activate room power supply.

Use: transponder reader for external room access via transponder card

NEW



55516

55516SLA

55516SLB

TRANSPONDER CARD

RFID mayfair technology user card which can be encoded with a special programmer

For use with card reader Art. 55514 - 55514RF

Dimensions (mm): 86 x 54 x 0.8

NeutralFour-colour customer silk screen on one sideFour-colour customer silk screen on two sides

Art.

Description

NEW

55519

TRANSPONDER CARD PROGRAMMER FOR CONNECTION TO PC

Table top writer in black ABS
 Container size (mm): 59 x 59 x 11
 Maximum remote distance from the reader: up to 1.5 mt.
 Connection: via USB port
 Operating voltage: via PC
 LED for indication of operating status
 Complete with installation software

Use: Transponder card programmer to be utilised via special software directly from the PC

NEW

55534

DATA CONCENTRATOR

Network data centre for connection with 55530
 Dimensions: mm 260 x 157 x 62
 Power supply: 230 Vac
 CanBus connection to the electronic
 Ethernet connection to Pc

NEW

55520A

PC MANAGEMENT SOFTWARE

The software program allows automated management of the services present in the cabinet. In fact, with its simple, intuitive user interface, it allows monitoring of the situation in each door and/or lodging and alerting of the operator who has a central PC located in a remote position from the monitored areas.

It also allows activation and deactivation of access to determined areas in the structure through the use of Chip cards or Transponder cards.

Features:

- Customer card programming
- Service card programming
- Check out cancellation card programming
- Insertion / modification of access parameters
- Card verification
- Available cabinets list
- Occupied cabinets list
- Services list with relative access parameters

Viewing of the cabinets situation to know:

- which and how many are free
- which and how many are reserved
- the check-in and check-out date
- the customer's name

Toolbar with:

- Table window recall button
- Check-In window recall button
- Check-Out window recall button
- Card Verifications window recall button
- Common Areas window recall button
- Program exit button

Use: Software per PC per la gestione e la programmazione di tessere a transponder





IACCESS

- ▶ ACCESS CONTROL SYSTEM
- ▶ CODE KEY PAD, MAGNETIC CARDS READER AND RFID
- ▶ PEOPLE COUNTER SYSTEM FOR LIBRARIES, MUSEUMS, SHOPPING CENTERS
- ▶ STAND-ALONE VERSION FOR INDIVIDUAL APPLICATIONS
- ▶ ON LINE VERSION WITH PC MANAGEMENT FOR MULTI DOORS SYSTEMS







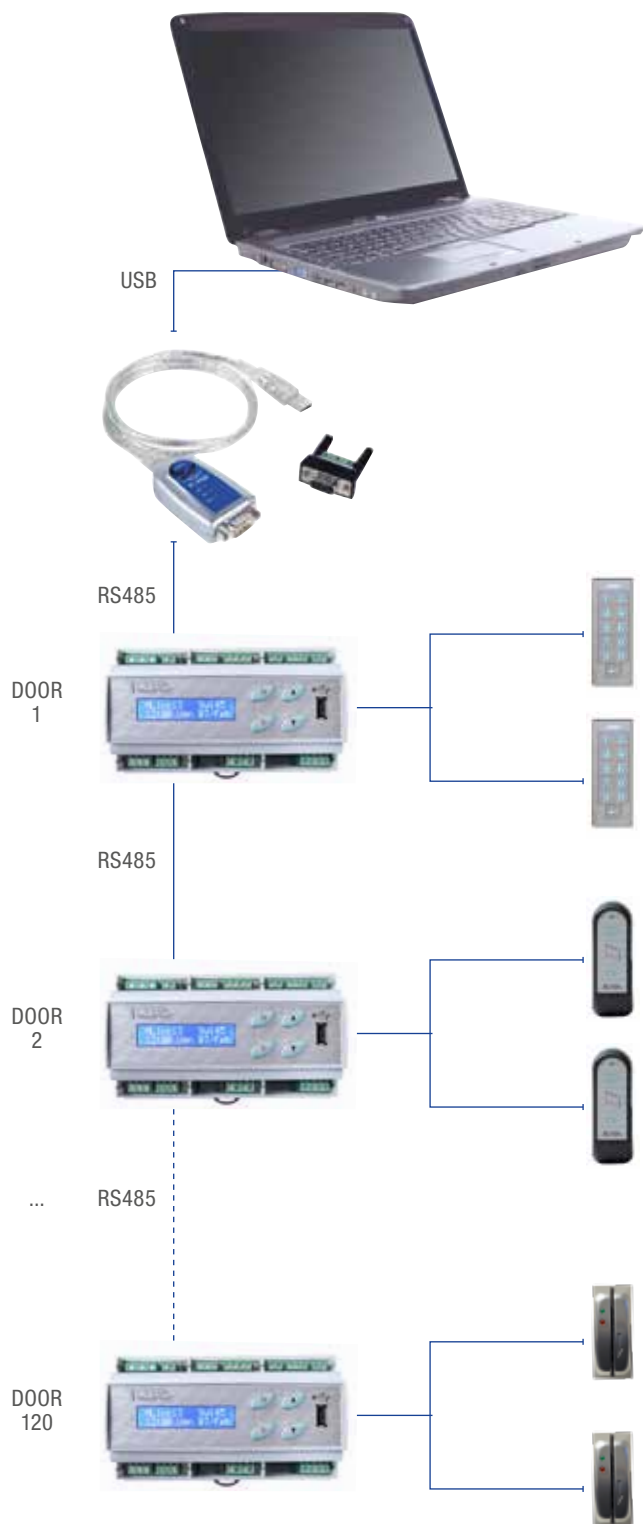
PLUS

- ▶ Independent or connectable to a PC control unit
- ▶ Users configuration from the control unit or the PC
- ▶ Usb port for direct events download on Usb key
- ▶ 2 remote reading devices operating on the same door (readers/key pads)
- ▶ Fixing on DIN bar switchboard

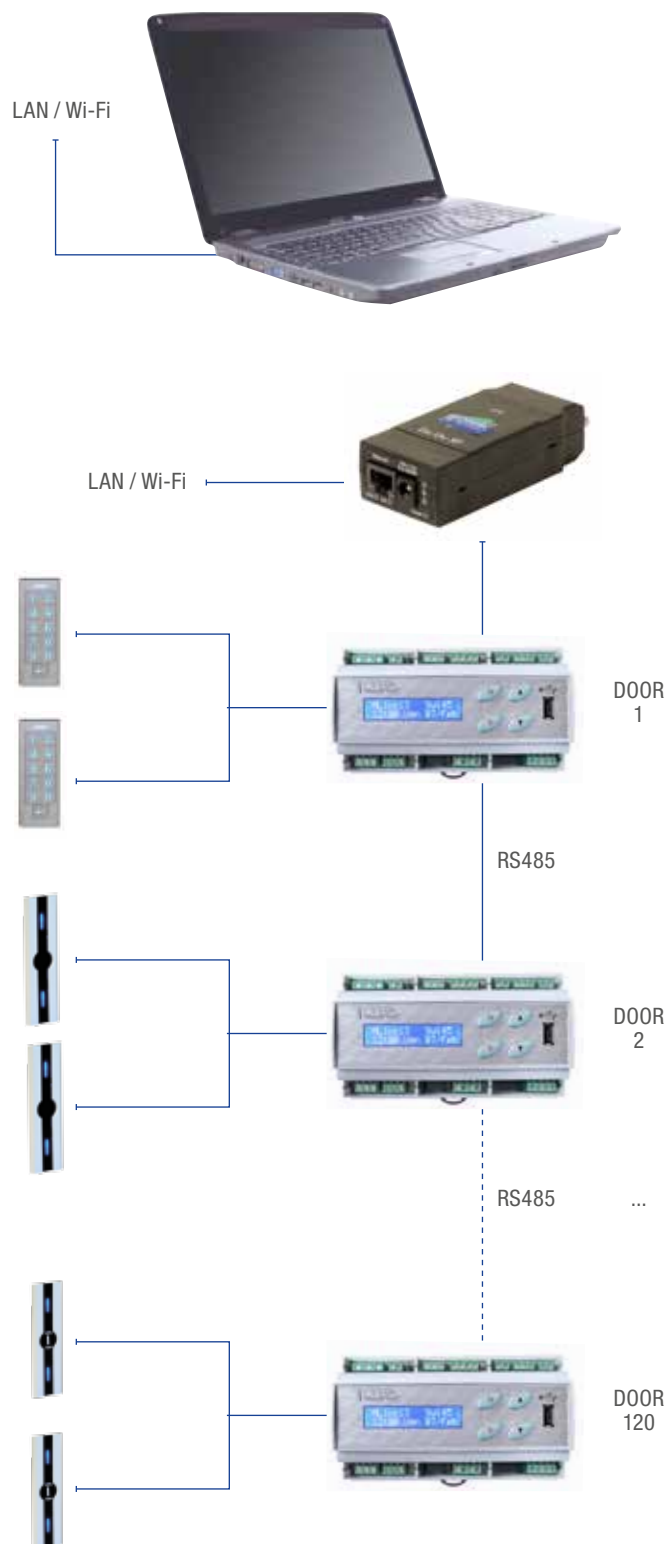


TYPICAL APPLICATION WITH PC OPERATING SYSTEM

SERIAL CONFIGURATION RS-485



SERIAL CONFIGURATION RS-485 / LAN - WIFI



PLUS ESEMPIO

- ▶ Connection on serial network
- ▶ Connection on serial network/ethernet
- ▶ Up to 120 manageable doors
- ▶ Up to 2000 manageable users for each door



Art.	Description
------	-------------

55611NET

MODULAR STANDALONE/NET MANAGEMENT ELECTRONICS**For one door**

Electronics that can be managed in stand alone mode for a single independent door and in an RS-485 serial network for the connection of up to 120 doors controlled by PC through special application software, Art. 55623.

Connection to 2 peripheral reading devices (input/output) including magnetic card readers, transponder readers or code keypads. Gray ABS housing, 160 x 95 x 65 mm for attachment to DIN bar. Remote distance from the peripheral reading devices: up to 10 m with flat cable and up to 500 m with connection of the peripheral devices (readers and keypads) through dedicated RS-485 serial line (cable 4). Main power supply: 230 Vac

Internal power supply with battery charger, plug, 12 V/1.2 A external Art. 00112
Power supply output 12 Vdc – 0.5 A max for electric locks

Electric lock command: C./N.O./N.C. relay, time can be set from 1 to 99 seconds or **bistable** for operation of the electric lock

N.O. input, opening from button.

N.O. input for door sensor.

N.O. input for lock status.

N.O. input for enabled codes block.

Alarm relay that can be activated through door sensor by forced opening (can be deactivated by the software from the menu). Saving of users on solid-state memory on Eeprom (minimum retention 10 years)

Important: the data present in the memory can be copied and transferred to any system extensions if installed in stand alone mode. Real Time Clock (RTC) circuit for date and time management. LCD 16 x 2 display, with blue backlight for the programming and display of the system's operational states. 4-key membrane polycarbonate keyboard for programming with the following functions: Up – Down – Program – Enter. Network port: Net485 for connection and management by PC. USB port for downloading the data on the events and user list present in the memory on a USB drive. 171 Ability to save pre-existing magnetic cards coded in the second track such as, for example, credit cards, tax code cards or cards belonging to other access control systems on standard ISO 2 (if connected to a card reader Art. 55613 or 55613AL to be ordered separately). Max reading of the first 10 characters.

171 Ability to save RFID transponders in ISO 2 emulation (if connected to transponder reader 55614 or 55614DP to be ordered separately)

171 Ability to save PIN codes in ISO 2 emulation (if connected to the code keyboard Art. 55612 or 55612SS to be ordered separately).

Functions:

- Management of 2000 users with different cards or codes
- Access to all functions by local keyboard
- Programming of user codes through master code
- Setting of Net485 network parameters
- Entering of address number for connection to PC
- Programming of cards / transponders / codes
- Variable length access codes with a maximum of 10 digits
- Programming for 3 distinct time slots for each user. Selection of user access
- Prohibition by day of the week
- Programming of debit cards
- Entering of users with expiration date
- Deletion of user with possession of a title
- Deletion of the entire user list
- Date and time setting
- Lock opening time selection
- Anti pass-back selection with the use of 2 reading peripheral devices
- Alarm setting selection after 3 attempts or for forced door
- Reader block setting selection – Display of user list
- Direct download of the last 500 events and user list on a USB key



CONFIGURATION 1 DOOR WITH KEYPAD



CONFIGURATION 1 DOOR WITH READER



CONFIGURATION 1 DOOR WITH TRANSPONDER








CONFIGURATION 1 DOOR WITH TRANSPONDER



CONFIGURATION 1 DOOR WITH iBUTTON



ACCESSORIES ACCESS CONTROL SERIES ACCESS MULTILINK NET

Art.	Description	
 <p data-bbox="421 300 528 322">55613NET</p>	<p data-bbox="596 300 1082 322">ISO 2 MAGNETIC STRIP CARD READER</p> <p data-bbox="596 333 772 356">ABS housing body</p> <p data-bbox="596 367 906 389">Dimensions: 100 x 34 x 26 mm.</p> <p data-bbox="596 400 1145 423">Power supply and commands: from PC through USB port.</p> <p data-bbox="596 434 1262 456">Red and green two-color LED for the display of the operational states.</p> <p data-bbox="596 468 1321 490">Use: magnetic strip card reader for the saving and reading of the cards by PC.</p> <p data-bbox="596 501 1070 524">Packaging: provided with USB connection cable.</p>	
 <p data-bbox="421 600 528 622">55614NET</p>	<p data-bbox="596 600 963 622">USB TRANSPONDER READER</p> <p data-bbox="596 633 772 656">ABS housing body.</p> <p data-bbox="596 667 906 689">Dimensions: 115 x 75 x 25 mm.</p> <p data-bbox="596 701 1145 723">Power supply and commands: from PC through USB port</p> <p data-bbox="596 734 1166 757">Red and yellow LED for the display of the operational states.</p> <p data-bbox="596 768 1086 790">Operating frequency: 125 kHz (integrated antenna).</p> <p data-bbox="596 801 1310 824">Use: RFID tag and card reader for the saving and reading of the cards by PC.</p> <p data-bbox="596 835 1066 857">Packaging: provided with USB connection cable</p>	
 <p data-bbox="421 904 528 927">55616NET</p>	<p data-bbox="596 904 938 927">USB – RS-485 CONVERTER</p> <p data-bbox="596 938 1002 960">ABS body. Dimensions: 60 x 38 x 20 mm.</p> <p data-bbox="596 972 1134 994">Power supply: 5 Vdc / 60 mA from PC through USB port</p> <p data-bbox="596 1005 1027 1028">LEDs for the display of the operational states.</p> <p data-bbox="596 1039 810 1061">USB 2.0 compatibility.</p> <p data-bbox="596 1072 1225 1128">Provided with adapter from DB9 connector to screw connector for connection to the RS-485 network.</p> <p data-bbox="596 1140 1305 1196">Use: USB – RS-485 serial port connector necessary for connection of the serial line to the PC, which only has USB ports</p> <p data-bbox="596 1207 1193 1229">Packaging: provided with USB connection cable, 80 cm long.</p>	
 <p data-bbox="421 1263 528 1285">55618NET</p>	<p data-bbox="596 1263 932 1285">TTL – RS-485 CONVERTER</p> <p data-bbox="596 1296 1310 1352">The serial port converter allows the connection of the different readers to the MultilinkNet electronic by means of a 4 poles cable for a max. length 500Mt</p>	
 <p data-bbox="421 1563 491 1585">05913</p>	<p data-bbox="596 1563 1102 1585">SERIAL RS232 – ETHERNET CONVERTER</p> <p data-bbox="596 1597 820 1619">Container in black ABS</p> <p data-bbox="596 1630 911 1653">Dimensions (mm): 100 x 42 x 25</p> <p data-bbox="596 1664 1321 1720">DB 9 pole connector for serial RS232 – 422 – 485 serial line selectable via dip switch</p> <p data-bbox="596 1731 1091 1753">8 pole plug connector for connection to the network</p> <p data-bbox="596 1765 1145 1787">Operating voltage: 12 Vdc/1A from included power supply</p> <p data-bbox="596 1798 1310 1877">Use: The serial converter allows connection of devices (such as people counters) equipped with IP addresses via an Ethernet network. This way the people counter can be interrogated even from a remote PC via the local network or the internet.</p>	



Art.

Description

55622NET

SOFTWARE FOR NETWORK ACCESS CONTROL

System for access control with network management by PC for RFID transponder readers, code keypads or magnetic badge readers

Entering of an individual user badge

A reader to the side of the PC and interfaced with it allows the saving of the magnetic card or transponder in the memory of one of the Multilinks

Card entering (hereafter also understood as codes) with expiration date

Entering of cards in groups with recording of sequential codes

Entering of cards with 3 time slots

Entering of debit cards (in entrances and/or fixed amounts)

Association of personal data to the card

Disabling of a single card

Disabling of the cards in sequential groups

Management of the card operation parameters (dates, time slots, enabled doors)

Recognition of where the person is through the last badge readings with indication of the date, time, and door number

Regulation of the lock relay opening time from 1 to 99 seconds

“Manual” remote door opening (open/closed)

Activation of the door relay in scheduled mode

Total or individual reader block

Emergency unlock (activation of all of the opening relays)

Management of the date and time

Anti pass-back management

Verification operations from PC:

Download movements by the name of the user associated with the accesses made

Download movements by date (from day --- to day ---) of all of the enabled people

Download movements by accesses (from door 1, 2, etc.)

Download movements by hour/time slot

Download movements by associated parameters (e.g. name – date – time – accesses)

Check of incorrect codes read or attempts outside of the associated parameters

Check of the card coupled to the code and vice versa in the case in which a code keypad is associated to the card reader

Check and reporting of out-of-service readers

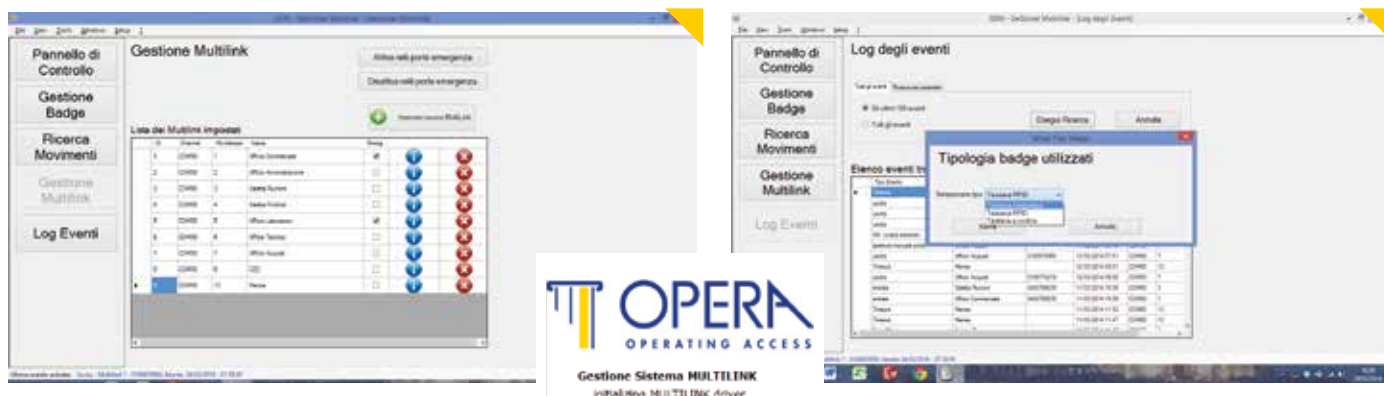
Remote network operation and query

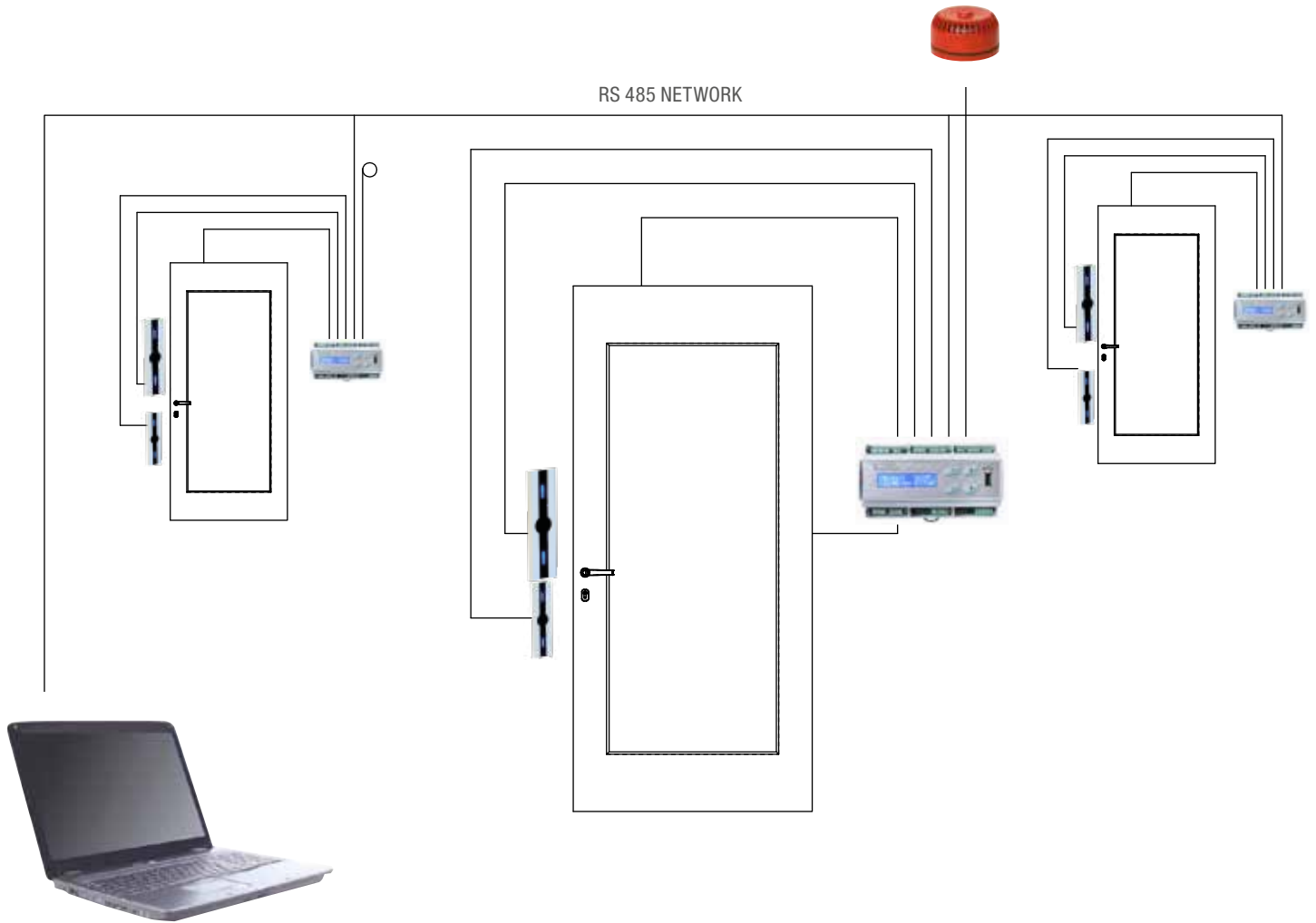
Status of the active alarms

Management of the event history

Immediate events

Operation of the system according to the different access levels





NEW

Art.	Description
------	-------------

56611A

MODULAR STAND-ALONE MANAGEMENT ELECTRONICS

Electronic circuit in white ABS container
 Container dimensions (mm) : 160 x 100 x 43
 Operating voltage : 12 – 24 Vac/Vdc
 Absorbed current : 100 mA in stand-by / 600 mA at 12V and 300 mA at 24V with relay active
 LCD Display 3 digits in red colours
 4 push buttons for programming with UP-DOWN-FUNCTION/ESC-ENTER
 Input for door opening from inside
 Input for blocking command
 Input for door sensor
 Buzzer
 Relay with C./NO./NC (24Vdc /10A max) adjustable from 1 to 60 sec.
 Alarm contact for the function of :
 Door forced
 Prolonged door opening from 0 to 60 sec
 Anti-tamper
 Connection with terminal readers via Flat-cable 10 poles or RS485
 Up to 490 users
 Memorisation via card, transponder, iButton or activation code
 Deletion of single or entire user list

Function:

Programming of new user codes through master code
 Programming of cards / transponders / codes
 Variable length access codes with a maximum of 10 digits
 Programming new users
 Deletion of single user
 Deletion of the entire user list
 Relay adjustment setting
 Display of total users list

Can be connected to 1 keypad series 55612 or 55612SS or 1 card reader 55613 or 55613AL or to 1 transponder reader 55614 - Input for indoor opening push buttons

Use: stand-alone system for access control. Allows memorisation of user codes or cards managed directly by the user via activation and cancellation cards. Easy installation and programming, can be utilised to activate an electromechanical lock or motorisation.



55612



55614PD



55614



55613



55612SS



55618PD



Art.	Description
------	-------------



55612
55612CR

CODE KEYPAD

Container body in ABS, dimensions (mm): 129 x 46 x 30
Keypad with 10 numeric keys plus Enter button
Membrane front in polycarbonate, dome shaped keys with touch effect
Internal buzzer for key press indication
Operating Voltage: from electronics of Art. 55611NET and 56611A
Two coloured red/green LED for indication of operating status
Connection with the control unit: in TTL with ISO2 emulation
Tamper contact (active on Art. 55611NET)
Codes available comprised of 1 to 10 digits

Housing in dark grey ABS
Housing in ABS with matt chromium finish

Note.: These items need to be connected with main electronics 55611NET or 56611A

Packaging: with 10 metres of flat connection cable between keypad and control unit



55612SS
55612SSC

ANTI-VANDAL CODE KEYPAD

Front of body in stainless steel (mm) 94 x 73 x 4,5
Backlit keypad with 10 numeric keys plus Enter button
IP protection rating IP 65 for external operation
Internal buzzer for key press indication
Operating Voltage: from electronics of Art. 55611NET and 56611A
Red and green LEDs for indication of operating status
Connection with the control unit via flat cable or RS485

Flush mount keypad
Rim keypad

Note: These items need to be connected with main electronics 55611NET or 56611A

Packaging: with 10 metres of flat connection cable between keypad and control unit



NEW



ANTI-VANDAL CODE KEYPAD





Front of body in stainless steel (mm) 110 x 40 x 14
Backlit keypad with 10 numeric keys plus Enter button
IP protection rating IP 65 for external operation
Internal buzzer for key press indication
Operating Voltage: from electronics of Art. 55611NET and 56611A
Red and green LEDs for indication of operating status
Connection with the control unit via flat cable or RS485

55612PD
55612PDN
55612PDC
55612PDCN

Flush mount keypad, silver colour
Flush mount keypad, black colour
Rim mount keypad, silver colour
Rim mount keypad, black colour

N.B.: These items need to be connected with main electronics 55611NET or 56611A



Art.	Description
 <p data-bbox="419 297 488 324">55613</p>	<p data-bbox="595 293 922 324">MAGNETIC CARD READER</p> <p data-bbox="595 327 1230 504">Swipe reader in black ABS Base in silver anodized aluminium (black on request) Dimensions (mm): 140 x 40 x 34 Operating Voltage: from electronics of Art. 55611NET and 56611A Red and green LEDs for indication of operating status Connection with the control unit: in TTL ISO2 standard</p> <p data-bbox="595 537 1308 595">Note: <u>These items need to be connected with main electronics 55611NET or 56611A</u></p> <p data-bbox="595 627 1289 685">Packaging: with 10 metres of flat connection cable between reader and control unit</p>
 <p data-bbox="419 723 515 750">55613AL</p>	<p data-bbox="595 719 1104 750">ANTI-VANDAL MAGNETIC CARD READER</p> <p data-bbox="595 752 1230 900">Swipe reader in ABS in silver anodized aluminium. Dimensions (mm): 68 x 29 x 30 Operating Voltage: from electronics of Art. 55611NET and 56611A Red and green LEDs for indication of operating status Connection with the control unit: in TTL ISO2 standard</p> <p data-bbox="595 934 1308 992">Note: <u>These items need to be connected with main electronics 55611NET or 56611A</u></p> <p data-bbox="595 1023 1289 1081">Packaging: with 10 metres of flat connection cable between reader and control unit</p>
 <p data-bbox="419 1120 488 1146">55614</p>	<p data-bbox="595 1115 979 1146">TRANSPONDER CARD READER</p> <p data-bbox="595 1149 1299 1406">Container body in dark grey ABS with front in polycarbonate Dimensions (mm): 129 x 46 x 30 Operating Voltage: from electronics of 55611NET and 56611A Transponder reader distance: 30 mm. (55616T and 55616W) - 100 mm. (55616) Two coloured red/green LED for indication of operating status Connection with the control unit: in TTL with ISO2 emulation The transponder is based on the TAG format card operativity</p> <p data-bbox="595 1440 1308 1498">Note: <u>These items need to be connected with main electronics 55611NET or 56611A</u></p> <p data-bbox="595 1529 1289 1588">Packaging: with 10 metres of flat connection cable between reader and control unit</p>
 <p data-bbox="419 1664 515 1691">55614SC</p>	<p data-bbox="595 1659 1235 1718">TRANSPONDER CARD READER FOR CABINETS AND BOXES</p> <p data-bbox="595 1720 1264 1955">Housing in blue Abs – dimensions 90x57x24mm Operating Voltage: from electronics of 55611NET and 56611 Transponder reader distance: 30 mm. (55616T and 55616W) - 100 mm. (56616) Two coloured red/green LED for indication of operating status Operating technology in 125 KHz Use: Trasponder reader for mounting behind panels, cabinets or doors. Detection can be done through timber, glass or plastic</p> <p data-bbox="595 1989 1308 2047">Note: <u>These items need to be connected with main electronics 55611NET or 56611A</u></p> <p data-bbox="595 2078 1259 2136">Packaging: with 10 metres of flat connection cable between reader and control unit</p>

TERMINALS AND ACCESSORIES FOR ACCESS CONTROL MINILINK AND MULTILINK NET



Art.

Description

TRANSPONDER READER

Front plate in anodised aluminium
 External dimension 140x40x6 mm
 Internal dimension 118x27x17 mm
 Operating Voltage: from electronics of 55611NET and 56611
 Transponder reader distance: 30 mm. (55616T and 55616W) - 100 mm. (56616)
 Connection with the control unit: in TTL with ISO2 emulation or RS485
 Three colours blue/red/green for indication of operating status

55614PD
 55614PDN

Front plate in s.a.a finish
Front plate in black anodised aluminium

Note: These items need to be connected with main electronics 55611NET or 56611A

**DALLAS IBUTTON READER**

Front plate in anodised aluminium
 External dimension 140x40x6 mm
 Internal dimension 118x27x17 mm
 Operating Voltage: from electronics of 55611NET and 56611A
 Connection with the control unit: in TTL with ISO2 emulation or RS485
 Three colours blue/red/green for indication of operating status

55618PD
 55618PDN

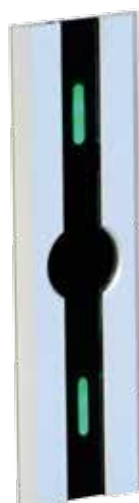
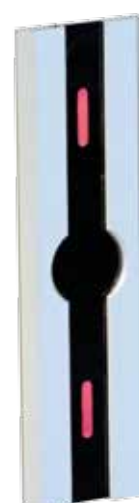
Front plate in s.a.a finish
Front plate in black anodised aluminium

Note: These items need to be connected with main electronics 55611NET or 56611A

Packaging: with 10 metres of flat connection cable between reader and control unit



STAND-BY

TRANSPONDER
ACCEPTEDTRANSPONDER
NON ACCEPTED

Art.	Description
------	-------------

DALLAS IBUTTON READER - EXTENSION

Touch Key Reader body in stainless steel
 Front plate dimensions (mm): 105 x 40 x 5
 Two colours red/green LED for indication of operating status
 Operating Voltage: from electronics of 55611NET and 56611
 Connection with the control unit: in TTL with ISO2 emulation or RS485 (if combined with 55611NET)



58018ML
58018MLN

Front plate in silver anodized aluminium
Front plate in black anodized aluminium

Note: These items need to be connected with main electronics 55611NET or 56611A



BOX FOR SURFACE FIXING







Box in anodized aluminium:
 External dimensions (mm): 140 x 40 x 20

05502PD
05502PDN

Silver anodized
Black anodized



TERMINALS AND ACCESSORIES FOR ACCESS CONTROL MINILINK AND MULTILINK NET

Art.	Description
 <p>55615 55615SLA 55615SLB</p>	<p>MAGNETIC STRIP CARD Card for use with encoded user in 2nd track ISO2 standard For use with card reader 55613 and 55613AL 300 OE magnetic strip Dimensions (mm): 86 x 54 x 0.8 <u>OPERA silk screen in four colours</u> <u>Custom silk screen in four colour on main side</u> <u>Custom silk screen in four colour on both side</u></p>
 <p>56616</p>  <p>56616T</p>  <p>56616W</p> <p>56616 56616SLA 56616SLB 56616T 56616W</p>	<p>TRANSPONDER Transponder for encoded user use, based on operativity at 125 KHz For use with transponder 55614 - 55614PD - 55614SC <u>Card format in white colour, dimensions (mm): 86 x 54 x 0.8</u> <u>Custom silk screen in four colour on main side</u> <u>Custom silk screen in four colour on both side</u> <u>Key fob format in grey colour, dimensions (mm): 40 x 31 x 4</u> <u>Bracelet format in transparent plastic, dimensions (mm): 240 x 13</u></p>
  <p>58015 58015G 58015R 58015V</p>	<p>DALLAS IBUTTON iButton body in chromium plated metal on black ABS support dimensions (mm): 16 (diameter) x 5 Dimensions of the ABS support (mm): 53 x 15</p> <p><u>Key fob in black plastic</u> <u>Key fob in yellow plastic</u> <u>Key fob in red plastic</u> <u>Key fob in green plastic</u></p> <p>Use: operating key for access control Touch Key. Note.: Each iButton key is unique and unrepeatable and there are no copies. If the key is lost it must be cancelled from the reader memory and replaced with a new one.</p>



NEW



Art.

Description

LEVER HANDLE ESCUTCHEON WITH RFID READER

The Opera narrow body version is specially designed to fit most Euro profile doors, even narrow profile framed doors. This version works with Euro mortice lock axe distance 85mm.

Square spindle 8mm

Suitable door thickness: 32 to 70 mm

Dimension of External Panel: L280MM*W40MM*H13MM

Material: Stainless Steel, Moisture Proof, Fire Retardant

Non reversible - handed

Operating Voltage: DC6V or 4 AAA Alkaline batteries

Power saving design and the batteries duration over 1 year

Power Consumption: Static Load < 20 microamp

Dynamic Load 100~150 mA

Working Environment: 20%~90%

Working Temperature: -50°~60°

Lost user card suspension simply by issuing a new user card with suspending function

Up to 100 users with different cards

Use: It replace the mechanical handle. It is enabled by the RFID card

40814.1

Stainless steel finish – right hand – 125Khz ID chip

40814.2

Stainless steel finish – left hand – 125Khz ID chip

40814.1GD

Gold plated finish – right hand – 125Khz ID chip

40814.2GD

Gold plated finish – left hand – 125Khz ID chip

40814.1MF

Stainless steel finish – right hand – Mifare ID chip

40814.2MF

Stainless steel finish – left hand – Mifare ID chip

40814.1MFGD

Gold plated finish – right hand – Mifare ID chip

40814.2MFGD

Gold plated finish – left hand – Mifare ID chip

TRANSPONDER

Transponder, based on operativity at 125 KHz

Card format in white colour, dimensions (mm): 86 x 54 x 0.8

Custom silk screen in four colours on main side

Custom silk screen in four colours on both side

56616**56616SLA****56616SLB****56616T**

Key fob format in grey colour, dimensions (mm): 40 x 31 x 4

56616W

Bracelet format in plastic, dimensions (mm): 240 x 13

Transponder, based on operativity Mifare

Card format in white colour

55516**55516SLA****55516SLB**

Custom silk screen in four colours on main side

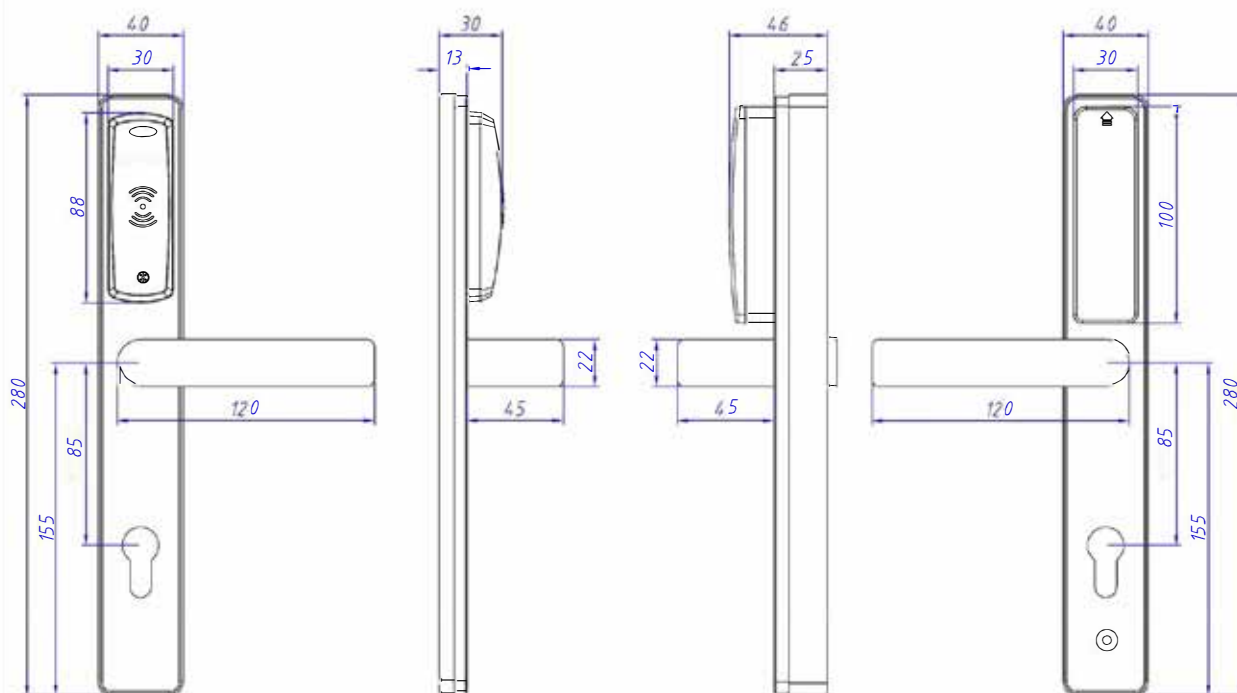
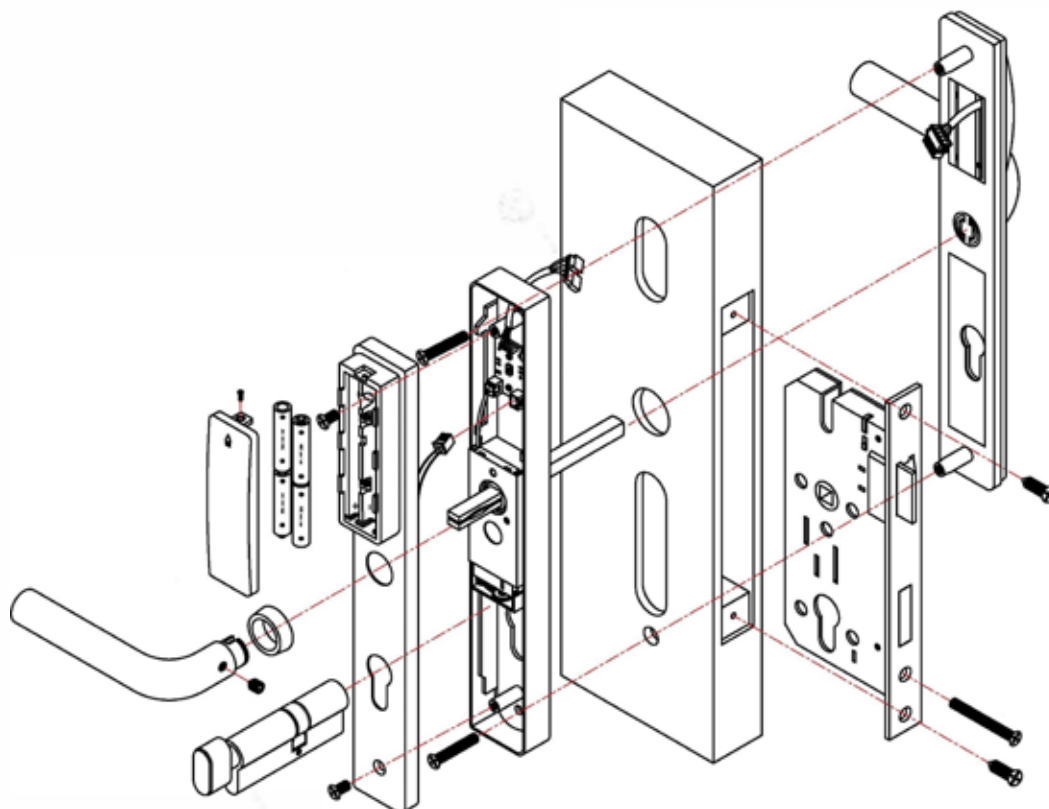
Custom silk screen in four colours on both side

GD Version
External side
Right hand



ELECTRIC HANDLE

ELECTRONIC HANDLE SET FOR ACCESS CONTROL SYSTEM



NEW



Art.

57401

Description

BLUETOOTH DOOR OPENER

Black Abs container, IP65 rated
Dimensions: mm 114 x 70 x30

Voltage 12 to 24 Vdc
Power draw: 10Ma in stand-by, 70Ma on load
Relay Output: 5A/250 VAC, 5A/30VDC
Bluetooth Spec: low energy 4.0 standard

Operating Distance 50 meters
Proximity Distance 1-20 meters

Temperature: -10° to + 40 °C

Status LED

- Green: Door always unlocked
- Blue: Power on, Standby mode
- Blue Flashing: Bluetooth connection signal
- Red: Door always locked

1 Master, 1000 Users,
Mortise or surface mounted and anti-tailgated
Built-in tamper switch and buzzer

User management

- 1. Add/delete/view user data
- 2. Grant user access for specific dates or time periods
- 3. Change user password
- 4. Activity History tracks 1,000 records
- 5. Bi-stable function to keep the door unlocked indefinitely

Use: Easy and secure method of remote opening gates and doors from your smartphone via bluetooth connection. Free App for Android and iOS



Bluetooth door opener ▶
Smartphone door or gate access using a bluetooth reader

Output ▶
Bi-stable Output Relay

Programming ▶
Download "OPERA 57401" App through Apple Store or Google Play

Users ▶
1 Master. 1000 Users.



Housing ▶
IP65 housing – weather proof

Activation ▶
Relay is activated by manual input or hands free option

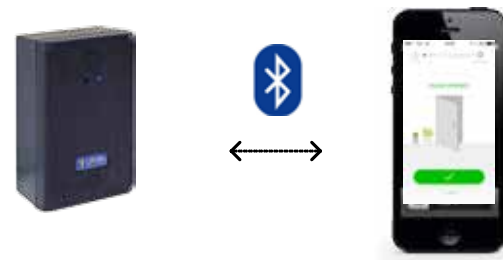
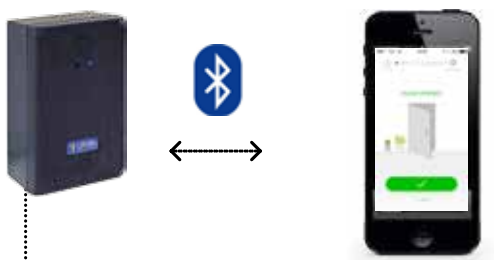
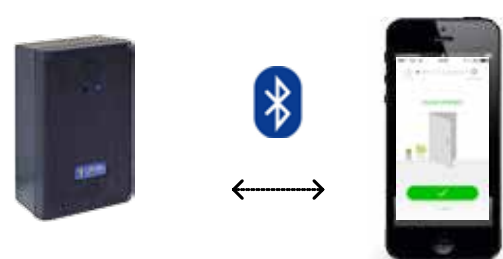
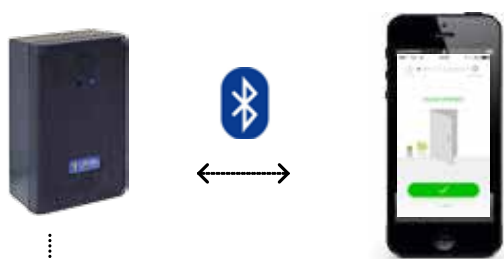
Working range ▶
Operating distance for hands free option: up to 20 meters

RESIDENTIAL

Bluetech is an advanced system for opening a door or a gate. Easy and secure method of remote opening gates and doors from your smartphone via bluetooth connection.

Ideal for opening an electrically controlled door, gate or triggering an alarm system.

Any user can be registered with time zone and number of access. An event list is available directly on the App and it can be sent by email to a Pc.



PLUS

- ▶ Easy and secure
- ▶ Weather resistant, surface mounted, and anti-tailgate protected
- ▶ Time zone controller for any user
- ▶ Built in relay to open a door lock with a smartphone



NEW

Art.

Description

GSM DOOR OPENER

White ABS enclosure body for wall mounting. Dimensions: mm 160 x 100 x 43
Power supply: 12/24 V DC – 12/18 V AC. Power draw: 90 mA at 12 V DC

LED indicators on the front of the enclosure for:

- Green LED for power
- Red LED for output 1 active
- Red LED for output 2 active
- Yellow LED for connection active/faulty

Internal GSM module – UMTS – 4G. SIM card slot
Internal miniature rod GSM antenna. Signal strength recognition system of a specific GSM network without SIM inserted
Mini USB connector for configuration and firmware upgrade
Internal connections with screw terminals
2 relay output C/NO/NC (12 V/2 A max) independently selectable with timed monostable contact, timed from 1 to 60 s (eg. lock opening) or bistable contact (eg. activating and deactivating alarm) by mobile phone
2 inputs with selectable opto-insulated contacts (12/24 V AC/DC input) or with NO contact

3 selectable operation modes

- 1 - Call only
- 2 - Call or SMS
- 3 - SMS + security PIN code

Functions:

- Outputs controllable via SMS
- SMS sending triggered by input activation (operation performed or alarm)
- Internal memory with up to 1000 enabled telephone numbers
- Password for administrator configuration
- Configuration via SMS or Windows PC software
- Activation selection by call or SMS
- Activation selection using dedicated App
- SMS confirmation of receipt of sent message (can be disabled)
- Input contacts for confirmation via SMS of the operation performed
- Administrators and users list via SMS
- Event log via Windows PC software
- SIM Card credit balance query
- System lock/unlock command via SMS by administrator

57501
57501RF

GSM opener

GSM Opener with radio module 433MHz

Use: remote activation system for opening doors, garage doors, activating alarms, turning on lights, irrigation systems, etc. Using the contacts provided, it can provide via SMS information about the activation of an alarm, the opening of a door, power failure in an apartment, etc.

EXTERNAL GATE



confirmation of executed operation

opening



APPLICATION EXAMPLE

DOOR ENTRY



opening

confirmation of executed operation



GSM



NEW



Art.

57512RF

Description

RADIO CODE KEYPAD

Container body in ABS, dimensions (mm): 129 x 46 x 30
 Keypad with 10 numeric keys plus Enter button
 Membrane front in polycarbonate, dome shaped keys with touch effect
 Internal buzzer for key press indication
 Operating Voltage: 12Vac/dc
 Two coloured red/green LED for indication of operating status
 Radio connection 433MHz with GSM Opener 57501RF
 Operating distance: 50Mt in open space
 Codes available : Up to 1000

No wiring between keypad and GSM
 Codes are programmable by SMS

NEW



57512SRF

ANTI-VANDAL RADIO CODE KEYPAD

Front of body in stainless steel (mm) 94 x 73 x 4,5
 Backlit keypad with 10 numeric keys plus Enter button
IP protection rating IP 65 for external operation
 Internal buzzer for key press indication
 Operating Voltage: 12Vac/dc – 24Vdc
 Red and green LEDs for indication of operating status
 Radio connection 433MHz with GSM Opener 57501RF
 Operating distance: 50Mt in open space
 Codes available: Up to 1000

No wiring between keypad and GSM
 Codes are programmable by SMS

It has to be used with module 57515RF

NEW



57515RF

RADIO REPEATER

Abs container, dimensions mm 129 x 46 x 30

It receives a radio signal from GSM Opener 57501RF and retransmits it to the Keypad 57512SRF or 57512RF

RS-485 cable connection with 57512SRF
 Radio connection 433MHz with 57512RF

NEW



57516RF

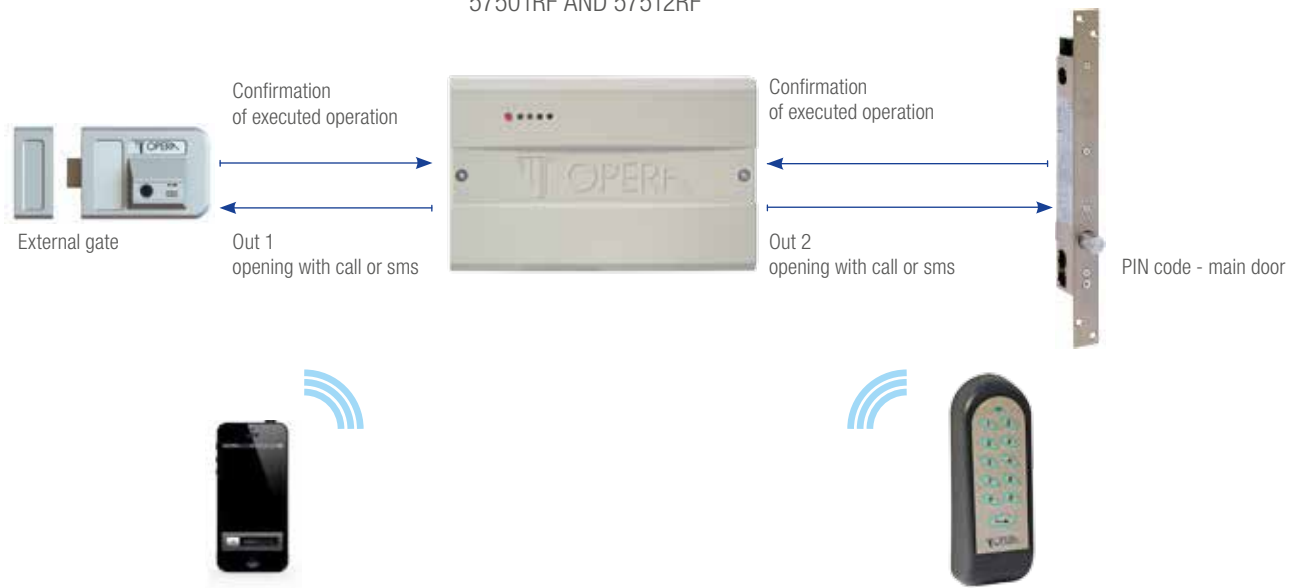
RELAY MODULE WITH RADIO TRANSMISSION

Abs white container, dimensions mm 66 x 50 x 20
 Operating voltage 12Vac/dc – 24Vdc
 Two coloured red/green LED for indication of operating status
 Relay Output C./N.O./N.C. (12V – 2A max)
 433Mhz Radio transmission to GSM Opener 57501RF or to Keypad 57512RF
 Operating distance: 50Mt in open space
 Up to 16 addresses with internal switch configurable

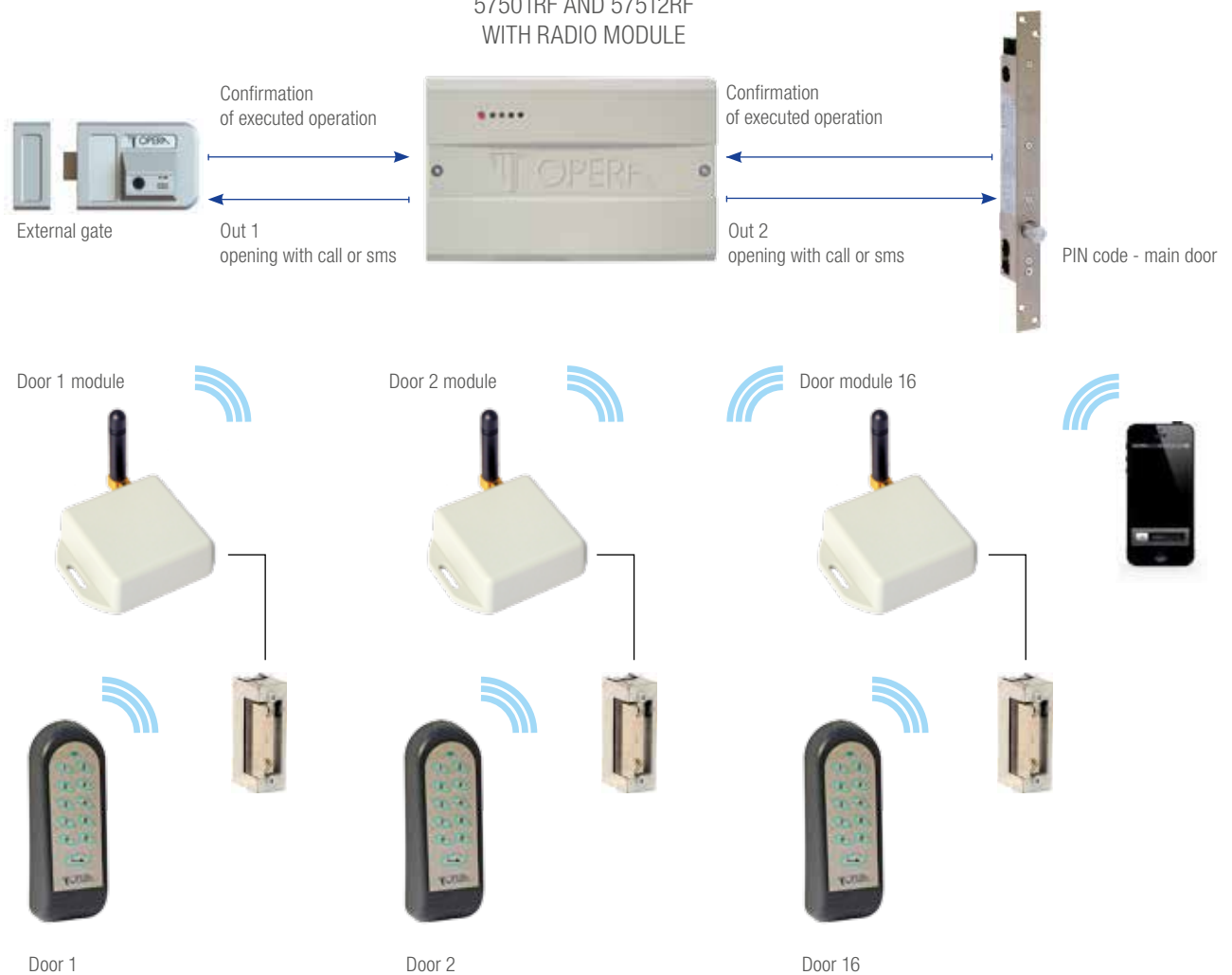
This relay module is triggered by GSM Opener 57501RF. Sending a specific SMS, you can activate a door lock, a light switch, a watering system etc. If paired with keypad 57512RF or 57512SRF it allows the control up to 16 different keypads to manage 16 different doors with just one GSM opener. No wiring



APPLICATION SAMPLE
57501RF AND 57512RF



APPLICATION SAMPLE
57501RF AND 57512RF
WITH RADIO MODULE



- GSM Door Opener** ▶
Gsm door opener totally made in Italy, Internal GSM module SIM card slot
- Output** ▶
2 relay output C/NO/NC (12 V/2 A max) independently selectable with timed monostable contact
- Programming** ▶
Configuration via SMS or software provided
- Telephone numbers** ▶
Internal memory with up to 150 enabled telephone numbers
- Confirmation** ▶
SMS confirmation of receipt of sent message (can be disabled)



- SMS notification** ▶
Using the contacts provided, it can provide via SMS information about the activation of an alarm, the opening of a door, power failure in an apartment
- Free App** ▶
Free APP for managing SMS message and users' configuration
- Radio communication** ▶
Radio transmission version if paired with radio keypad
- Output activation** ▶
The GSM door opener rejects the call from authorized number then carries out the turn ON/OFF action on the first ring
- Output** ▶
If paired with keypad 57512RF or 57512SRF it allows the control up to 16 different keypads to manage 16 different doors with just one GSM opener

RESIDENTIAL



Smartphone



The Opera GSM door opener 57501 is a very simple device which can be used for authorized door access, controlling gates, switching of remote equipments, car parking systems.

The GSM door opener 57500 can be used in places which require turning ON/OFF your system; doors and gates can be operated remotely with a FREE call from your mobile phone.

No call charges. The GSM door opener rejects the call from authorized number then carries out the turn ON/OFF action on the first ring

The Opera 57501 will send SMS Alert the to owners immediately. This is very useful if you need protect your assets with low cost solution

BED & BREAKFAST



Smartphone



Door 1.....Door 16

PLUS

- ▶ Easy setup and use
- ▶ Open the door or the automatic gate by your mobile phone
- ▶ Event log via Windows PC software
- ▶ SMS confirmation of receipt of sent message



Art.	Description
------	-------------

57600

MOTORISED IP CAMERA – HIT (HOME IN TOUCH)

The IP Camera is designed for all day video surveillance on your iPhone/iPad and Android mobiles/pads.

Power supply : 12Vdc/1A

Dimensions: mm.124 x 91x 100



The setup is truly 1-2-3 :

Connect the camera to the network

Download the app mCamView into your iPhone/iPad or Android

View video by the camera ID/password

The push notification is supported, so that you will get the notification from your iPhone/iPad and Android once there is any events detected through the PIR body sensor or sound detector on the camera, even when your mobile is on sleep mode.

The pan/tilt functions allow the mobile user to pan./tilt the camera through a finger move on the mobile screen. You could monitor the whole room with a single camera.

For day & night usage, there are two video sensors/lens on the camera, one for day and one for night. The day lens and night lens focus are separately tuned for day light and Infra Red light for best video quality. No ICR, no mechanical problem.

Two-way audio is supported. You can monitor the synchronized video/audio and talk to or warn the people around the camera from your iPhone/iPad and Android once you got the push notification. There is a built-in speaker and a speaker jack is provided so that you could connect any high power speaker to the camera for your needs.

The WPS(WiFi Protected Setup) is supported. You could set up the WiFi connection of the camera with the router by clicking the WPS button on the camera and on the router at the same time. No more complicated WiFi configuration.

Use: The IP camera is ideal for securing small businesses, home offices and residences. The IP Camera is a perfect replacement of the alarm system and baby monitor in your house and shop.



All-in-one Pan/Tilt surveillance solution

The 57600 features a Pan/Tilt rotation and embeds a PIR and thermometer sensor. The camera itself will allow you to have full surveillance solution without the need to connect any other devices

Use the thermometer and the PIR sensors to have an optimum control of your home. You can assign alarms to these sensors to be notified whenever something abnormal occurs in your house

With the Time-Lapse recording function, things that happened during days or even years in real time can be played back over just a few minutes. The camera will take frames periodically according to the time interval and the frame rate you specify and will produce a time-lapse video

Night vision

Dual lens For day & night usage, the IP Camera features one single lens equipped by an Infrared cut-off filter. The Infrared filter will sense the luminosity of the room and will switch the filter to either day or night mode

Two-way Audio

2way audio You can listen and monitor what is going on in your home and you can talk to the people in your house through your camera speakers

Push notification

You will be notified on your mobile devices when an event (motion or sound) is detected. Even if your mobile is in sleep mode, you will be notified anywhere, anytime if something abnormal is happening in your house

Recording on Micro SD Card

You are able to playback the recorded videos on your iPhone/iPad and Android devices.



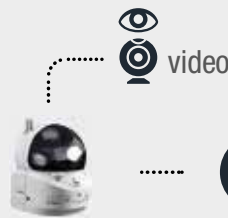
- IP** Self-assigned IP
- MEGA PIXEL** Mega Pixel Resolution 1280 x 800
- PAN & TILT** Pan/Tilt rotation
- 24h** DAY/NIGHT double sensor
- 7M PIR** 7M Pir sensor
- Speaker** Two-way Audio
- Thermometer** Thermometer and PIR sensor
- GB** Recording on Micro SD Card
- Wi-Fi** WPS (Wi-Fi Protect Setup)



Wi-Fi



ID 84355296
Password ●●●



Internet



- Smartphone
- Tablet
- Portatile



The IP camera is ideal for securing small businesses, home offices and residences. The IP Camera is a perfect replacement of the alarm system and baby monitor in your house and shop.



Art.	Description
------	-------------



Screen size 3,2"



Screen size 4,0" HD

DIGITAL DOOR VIEWER

Size:

- 115(W) * 64(H) * 16(D)mm

- 122(W) * 66(H) * 16(D)mm

Power source: 3AAA Batteries (good for approx. 5000 "peep")

Sensor:

- 1,3 Mega Pixel CMOS

- 2,0 Mega Pixel CMOS

LCD screen:

- 3,2" TFT 320x240

- 4,0" TFT800x480)

View angle: 160 degree

Fits door: 42-95mm (1.65"-3.74")

Fits barrel hole: 14-28mm

Version 3,2"Silver colourGold colour**Version 4,0"**Silver colourGold colour**57700****57700GD****57701****57701GD****00577****On demand:** brass barrel for doors from 95 to 122mm

DIGITAL DOOR VIEWERS I-VISION SERIES

Door thickness

The door viewer can be installed on doors from 68 to 94mm thick. No need to make extra holes on the door to replace existing viewer

Sensor resolution

Cam sensor technology CMOS
1,3 MegaPixel for item 57700
2,0 MegaPixel for item 57701

LCD Monitor

3,2" (resolution 320x240) for item 57700
4,0" (resolution 800x480) for item 57701

Power

3 batteries AAA
4000 screen activation capacity

View angle

160° angle view



Monitor

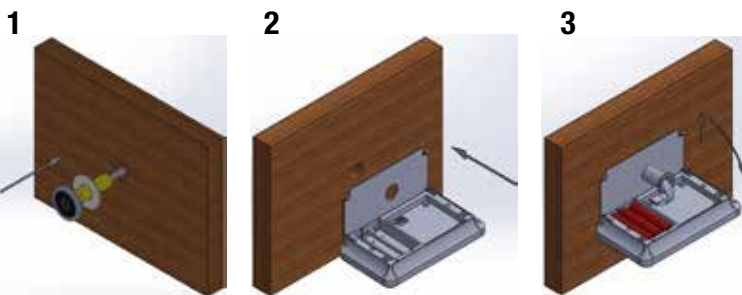


Viewer both side



Outside camera

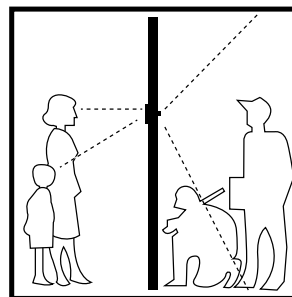
EASY FITTING IN 3 STEPS



Lcd monitor 3,2"
Resolution 320x240
Dim. 115x64x16mm



Lcd monitor 4,0"
Resolution 800x480HD
Dim. 122x66x16mm



i-Vision is a new digital door viewer range 16mm thick. This device displays an image of the person who visits your door, providing a safe way to identify visitors and potential bogus callers before opening your door. Very clear image on screen, easy operation - just press the button, automatic switch off after 10 seconds

AVAILABLE COLOURS



Silver

Brass

PLUS

- ▶ Elegant and thin design
- ▶ Easy mounting with no tools
- ▶ Easy batteries replacement
- ▶ Low consumption, automatic switch off after 15 seconds



Art.	Description
55640	<p>MAGNETIC CARD READER Insertion version</p> <p>Manual insertion reader</p> <p>Front in silver anodized aluminium with backlit LCD display indicating the operational status</p> <p>Front plate dimensions (mm): 200 x 105 x 5</p> <p>Internal dimensions (mm): 70 x 65 x 95 (max internal depth 100 mm.)</p> <p>Operating voltage: from remote management control unit</p> <p>Reading track: 2nd and 3rd ISO - ATM card, Visa Top Card, Prevident Card, Eurocard, Carta Sì, Mastercard, Eurocheque, Bancamericard, Bancoposta, American Express.</p> <p>Self-Service facilities management electronics</p> <p>Management electronics for microprocessor Automatic Teller Self-Service facilities</p> <p>Management electronics in metal inspectable box for wall mounting.</p> <p>Dimensions (mm): 340 x 270 x 120</p> <p>Operating voltage: 29 Vac from external transformer (included)</p> <p>230 Vac / 29 Vac power supply transformer</p> <p>Internal 12 Vdc / 1.8 A switching power supply with control circuit and backup battery charger</p> <p>Ready for 12 Vdc / 6.5 Ah battery</p> <p>Front panel with:</p> <ul style="list-style-type: none"> Mains LED Low battery LED Control unit and reader Reset button 3 position key switch for selection of System Active / Day / Out of Order Operation times of door release, operation time and notification to the user, already programmed as standard N.O. input for the restart time button N.O. input for medical assistance sensor N.O. input for ABI codes activation Amplified output for connection of a loudspeaker Internal management of voice messages Management of alarm and medical assistance Output contact for management of a telephone dialler Lock opening contact: C./N.O./N.C relay (selectable) programmable 2 or 15 seconds N.O. input for door sensor <p>Complete with management logic for security electric door strike series 346, 348.</p> <p>Use: ATM card and credit card reader for opening of automatic teller facilities doors, complete with control unit for management of operation times and medical assistance alarms.</p> <p>On demand: Special programme for management of a specific bank card</p>



ACCESSORIES FOR AUTOMATIC BANK SELF-SERVICE AREAS ACCESS BANK SERIES



05647

RESTART TIME BUTTON

Red button with N.O contact
 Front plate in black anodised aluminium
 Dimensions (mm): 100 x 30 x 29
 Red door open indicator LED
 The button is predisposed to be mounted in a Ticino 503 type box



05648

LOUDSPEAKER

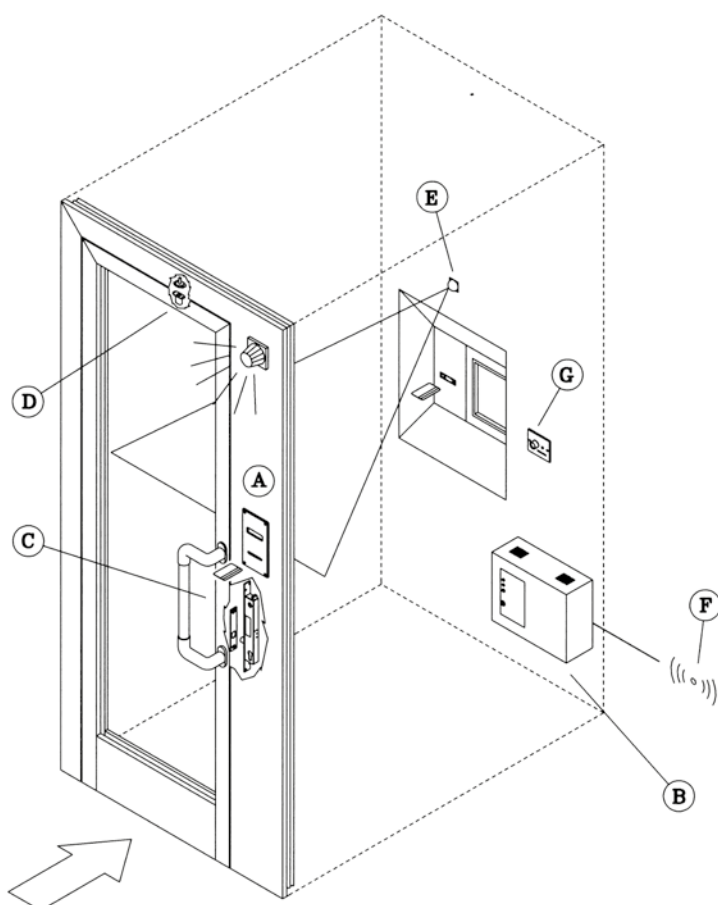
Loudspeaker for surface fixing in white ABS box for connection to voice messages
 Dimensions (mm): 118 x 87 x 86
 Power: 20 W / 4 ohm



05650

OVERHANG CARTER

Overhang carter in black painted steel for outdoor application of reader Art. 55640
 Dimensions (mm): 205 x 112 x 110

**LEGENDA**

- A** Bank card reader
- B** Local control unit
- C** Solenoid lock
- D** Magnetic sensor
- E** Infrared sensor
- F** Emergency dialer command
- G** Restart time button



Art.	Description
------	-------------

MAGNETIC CARD READER

Swipe version

Swipe reader with Red and Green indicator LEDs for indication of operational status
 Version in ABS dimensions (mm): 160 x 44 x 36 x 20 (internal depth)
 Version in anodized aluminium, dimensions (mm): 68 x 29 x 30
 Remote management electronics
 Operating voltage: 12 Vdc. Current absorption: 50-100 mA
 Lock opening contact: C./N.O./N.C relay (selectable) programmable 2 or 8 seconds
 N.O. input for door sensor. N.O. contact for opening push button
 Complete with management logic for security electric door strike series 346, 348

Reading track: 3rd ISO - ATM

Version with reader in black ABS

Version with anti-vandal reader in anodized aluminium

Reading track: 2nd and 3rd ISO - ATM card, Visa Top Card, Preident Card, Eurocard, Carta Si, Mastercard, Eurocheque, Bancamericard, Bancoposta, American Express

Version with reader in black ABS

Version with anti-vandal reader in anodized aluminium

Use: ATM card and credit card reader for door opening in automatic bank facilities.

On request: identification of a specific ABI code for opening with a card from the specific bank



55641
55641AL

55642
55642AL

MAGNETIC CARD READER

Insertion version

Manual insertion reader
 Front in silver anodized aluminium Red and Green LEDs indicating the operational status
 Front plate dimensions (mm): 100 x 80 x 5
 Internal dimensions (mm): 70 x 65 x 95
 Management electronics mounted on the reader
 Operating voltage: 12 Vdc. Current absorption: 50-100 mA
 Lock opening contact: C./N.O./N.C relay (selectable) programmable 2 or 8 seconds
 N.O. contact for opening push button. N.O. input for door sensor
 Complete with management logic for security electric door strike series 346, 348

Reading track: 3rd ISO - ATM

Reading track: 2nd and 3rd ISO - ATM card, Visa Top Card, Preident Card, Eurocard, Carta Si, Mastercard, Eurocheque, Bancamericard, Bancoposta, American Express

Use: ATM card and credit card reader for door opening in automatic bank facilities.

On request: identification of a specific ABI code for opening with a card from the specific bank



55643
55644



05651

OVERHANG CARTER

Overhang carter in black painted steel for outdoor application of reader 55643 and 5644
 Dimensions: mm 106 x 86 x 110



application example

Art.

Description

57300

ANTI-VANDAL CODE KEYPAD

Container body in anodized aluminium
 Dimensions (mm): 151 x 44 x 24
 Keypad with backlit buttons
 Operating voltage: 12 Vdc
 Absorbed current: 30 mA in stand-by / 60 mA with relay active
 Internal buzzer for key press indication

Housed-in electronics for:

Management of the lock opening command (management of 2 doors with only one keypad)
 Tamper contact with alarm activation
 IP rating: IP65
 Built in electronic circuit inside the keypad
 Timed output contact from 1-99 seconds for control of lock opening
 Up to 1,000 codes can be memorised
 Up to 10 transponder cards at 125 KHz can be memorised
 Programming of access with only PIN, only transponder or PIN + transponder
 Memorisation of separate codes for door 1 or door 2
 Activation of tamper alarm

Code cancellation: single or total
 Keypad with 10 numeric keys plus Enter button
 Call push button can be activated
 Block of keypad operation after insertion of three incorrect codes with activation of the alarm and timed auto-reset contact
 Input for door sensor with N.C. contact (open with door closed)
 Relay 1 with C./N.O./N.C contacts for opening of electromechanical locks
 Relay 2 with C./N.O./N.C contacts selectable alternatively for:
 - alarm signalling (burglary, invalid codes)
 - door opening



NEW



Art.

Description

KEYPAD – STAND ALONE

Container body in anodized aluminium
 Flush version - Dimensions (mm): 110 x 40 x 15
 Rim version – Dimensions (mm) : 110 x 45 x 3
 Keypad with backlit buttons
 Operating voltage: 12 Vac/dc – 24 Vac/dc
 Absorbed current: 30 mA in stand-by / 60 mA with relay active
 Internal buzzer for key press indication

IP rating: IP65**Housed-in electronics for:**

Management of the lock opening command
 Output relay N.O – N.C – (12/24Vac/dc – 1,5A max)
 Timed output contact from 1-99 seconds for control of lock opening

Up to 500 codes can be memorised from 2 to 6 digits
 Input N.O for door opening command
 Code cancellation: single or total
 Keypad with 10 numeric keys plus Enter button

Block of keypad operation after insertion of 5 incorrect codes with activation of auto-reset in 1 minute

57312
57312N
57313
57313N

Flush version – silver finish
Flush version – dark finish
Rim version – silver finish
Rim version – dark finish



application example



NEW

Art.

Description

57320

WIRELESS KEYPAD & PROXIMITY READER

Container body in black ABS
 Keypad dimensions (mm): 135 x 54 x 19
 Radio push button dimensions (mm) : 83 x 40 x 16
 Controller dimension (mm): 65 x 54 x 19
 Power supply:
 Keypad: 3 units of AAA batteries
 Controller: 12Vdc
 Push button: 2023 Lithium battery
 Operating temperature: -20° +60°
 Frequency operation: 2,4 GHz – rolling code
 Code cancellation: single or total
 500 PIN / card users - 125KHz EM Card
 PIN length: 4~8 digits
 Communication distance : 15m Max
 Pulse mode, toggle mode
 Tri-colour LED status display
 Ultra-low power consumption (wireless keypad<10uA, Wireless Exit Button:
 <10uA)

Block of keypad operation after insertion of 10 incorrect codes with
 activation of auto-reset in 10 minutes

Easy to install – wireless keypad

Standard package is controller + keypad + wireless exit button



Internal Push button



application example



Wireless Keypad



Art.	Description
------	-------------

TOUCH KEY READER

Touch Key Reader body in stainless steel
 Front plate in anodized aluminium
 Front plate dimensions (mm): 105 x 40 x 5
 Electronic circuit in white ABS container
 Container dimensions (mm): 111 x 72 x 29
 Operating voltage: 9 Vac / 12 Vdc
 Absorbed current: 10 mA in stand-by / 40 mA with relay active
 Operating key Dallas (sold separately Art. 58015)
 Supply of 2 Dallas Master system keys:
 1 "Green" programming key
 1 "Red" cancellation key
 Relay for door opening contact selectable in monostable or bistable mode
 Programmable users: 500
 Two colours red/green LED for indication of operating status
Anodized silver front plate
Anodized black front plate

Use: the stand-alone system for access control Touch Key is based on the operativity of the Dallas key which, being unique and unrepeatable, provides the highest standards of security.

Easy to install and program, it can be used for electromechanical lock release, motorisation or, selecting the bistable relay, to arm or disarm an alarm system.

Also ideal for use in applications where the reader must be exposed to weather conditions

TOUCH KEY READER SUPPLEMENTARY READER

Touch Key Reader body in stainless steel
 Front plate dimensions (mm): 105 x 40 x 5
 Two colours red/green LED for indication of operating status

Use: supplementary indoor reader for Touch Key Reader

Front plate in silver anodized aluminium

Front plate in black anodized aluminium

DALLAS IBUTTON

iButton body in chromium plated metal on black ABS support
 dimensions (mm): 16 (diameter) x 5
 Dimensions of the ABS support (mm): 53 x 15

Key fob in black plastic

Key fob in yellow plastic

Key fob in red plastic

Key fob in green plastic

Use: operating key for access control Touch Key.

Each iButton key is unique and unrepeatable and there are no copies.

If the key is lost it must be cancelled from the reader memory and replaced with a new one.

BOX FOR SURFACE FIXING FOR TOUCH KEY READER

Box in anodized aluminium:
 External dimensions (mm): 105 x 40 x 20

Silver anodized

Black anodized



58000
58000N



58013
58013N



58015
58015G
58015R
58015V

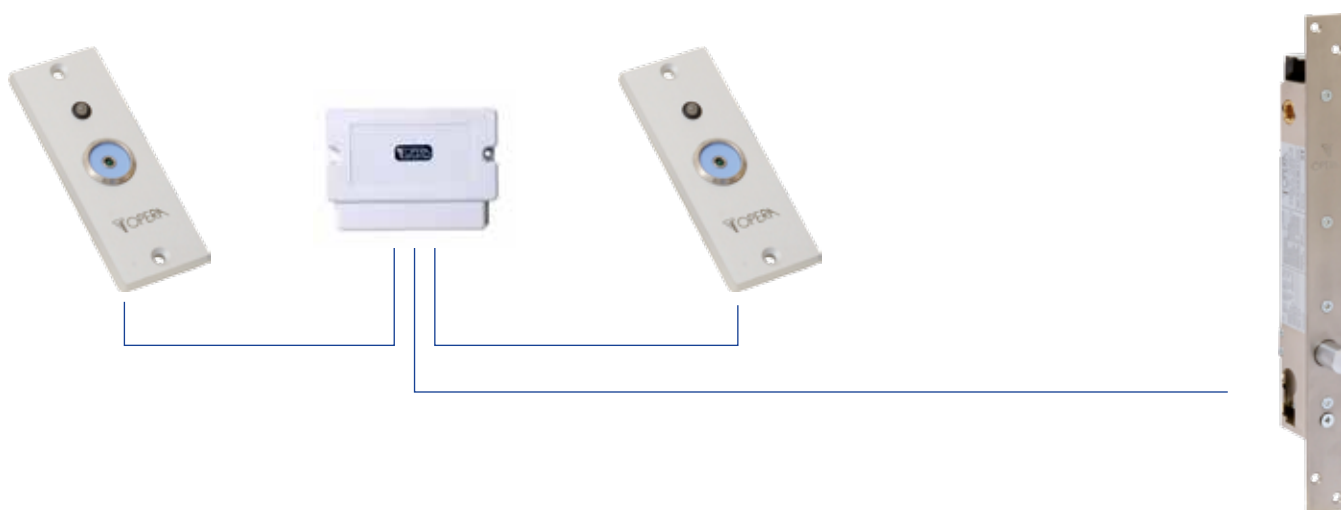


05501
05501N

DALLAS SYSTEM WITH ENTRY READER ONLY



DALLAS SYSTEM WITH ENTRY AND EXIT READER



Art.

Description



Stand Alone



with remote electronic



58200SA
58200SB

BIOMETRIC

The Biometric reader is a simple one-door standalone biometric system.

The programming is fast and easy.

The reader can store up to 100 finger templates (97 users and 3 administrators).

It has one relay output and one exit button input.

If secure installation is needed, the reader can be connected to a remote relay unit in the secured area (item 58200SB) which also plays the role of an exit push button.

The complete setup and programming can be done only by scrolling and tapping on the sensor.

Mounting: Surface mount

Housing Moulded Aluminium

Colour Silver, Red, Green, Dark Grey, Blue, White

Fingerprint Capacity: 97 + 3 templates

Output 1 x Relay (1 A /24V AC/DC)

Push Button Input: Yes

Door Open Time Pulse (1 to 60sec) or Toggle(ON/OFF)

Entry Mode: Finger

Programming: By scrolling and tapping on the sensor

Master/Admin Fingers: 1 Master and 2 Admin Fingers

Image resolution Up to 508 DPI

Backlight ON/OFF: Yes

Buzzer ON/OFF: Yes

Firmware upgrade: via RS485 converter and windows application

Current Consumption 100 mA max.

Power Supply 9-14 V DC

Indication Tricolor Status LED and 4 x Programming LEDs

IP Factor: IP65

Storage/Operating Temperature: -20°C to +50°C

Storage/Operating Humidity:5% to 93% RH without condensation

Dimensions (mm): 92x51x25

[Stand alone version](#)

[Security version with remote electronic](#)

NEW

05820

REMOTE ELECTRONIC

Container in ABS – dimension mm 90 x 36 x 32 – mounting on DIN rail

Power supply: 9-14 Vdc –

Power consumption: 80 Ma

Transmission with biometric reader: RS-485

N.O contact for door opening

Working temperature: 0 +40°C

IP Rate: IP31

3 relay output (24Vac/dc -3A) for opening of 2 electric locks

Relay activation time: impulsive (1,3,5,10,20,30,60 sec) or bi-stable (On/Off)



05821

COVER CARTER

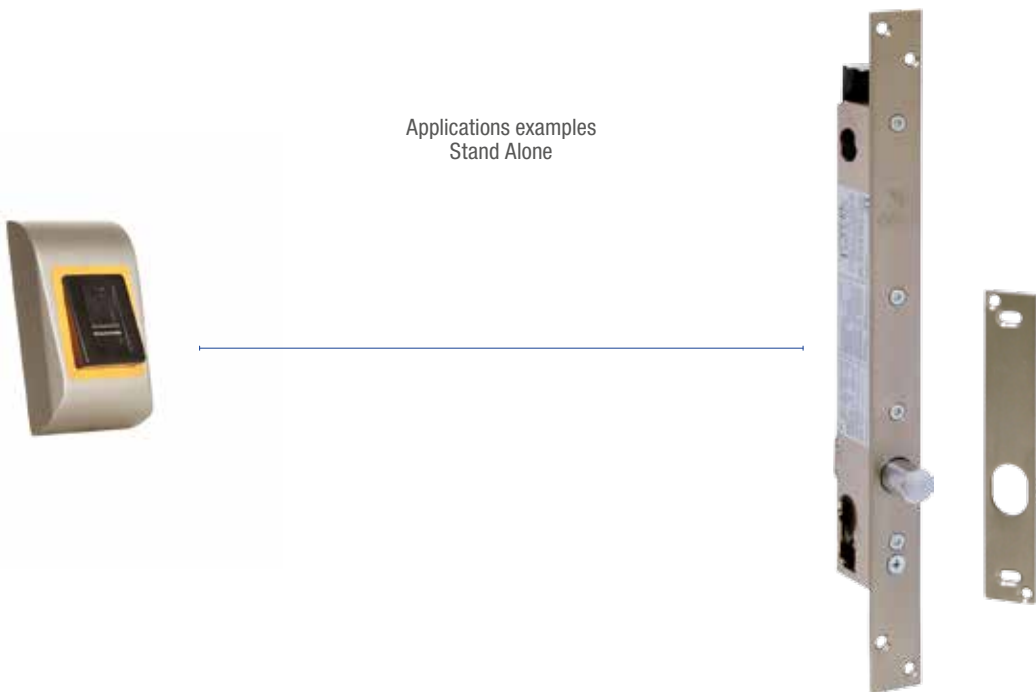
Overhang carter in ABS for outside application

Dimensions: 130x78x30 mm

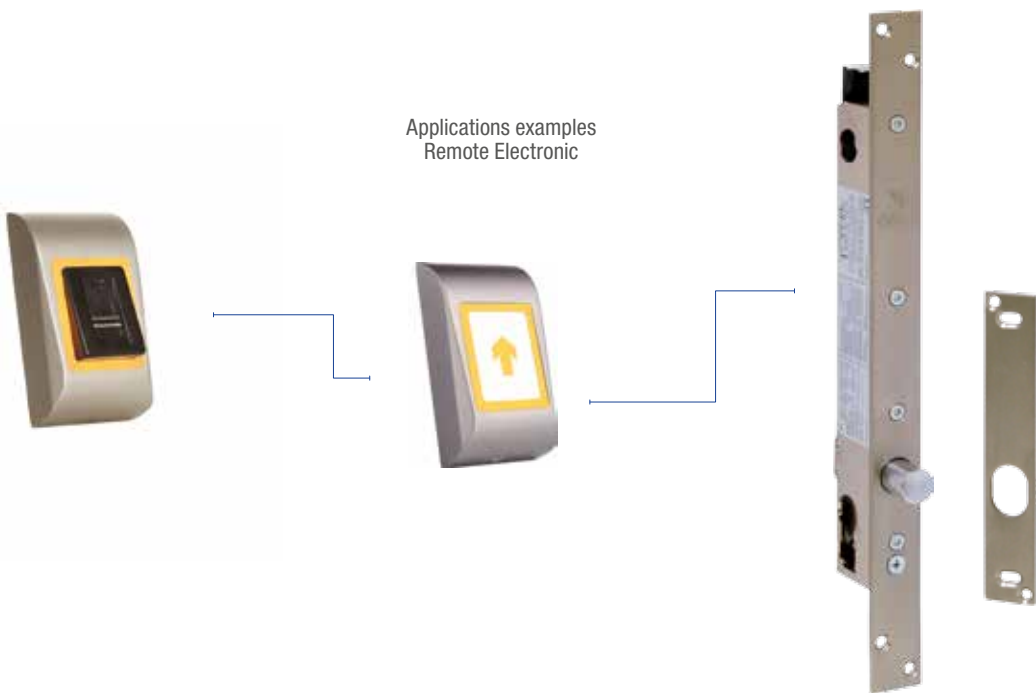


ACCESS CONTROL SYSTEM ACCESS BIOMETRIC SERIES

Applications examples
Stand Alone



Applications examples
Remote Electronic



STAND-BY



FINGER PRINT
ACCEPTED



FINGER PRINT
UNKNOWN





PEOPLE COUNTER

- ▶ WIRE FREE ADVANCED SYSTEM TO CALCULATE STAFF TRANSIT
- ▶ BATTERY POWER SUPPLY
- ▶ STAND ALONE FONCTIONNING
- ▶ WIFI TRANSMISSIONS TO THE HUBS
- ▶ HUB WITH ETHERNET CONNECTION

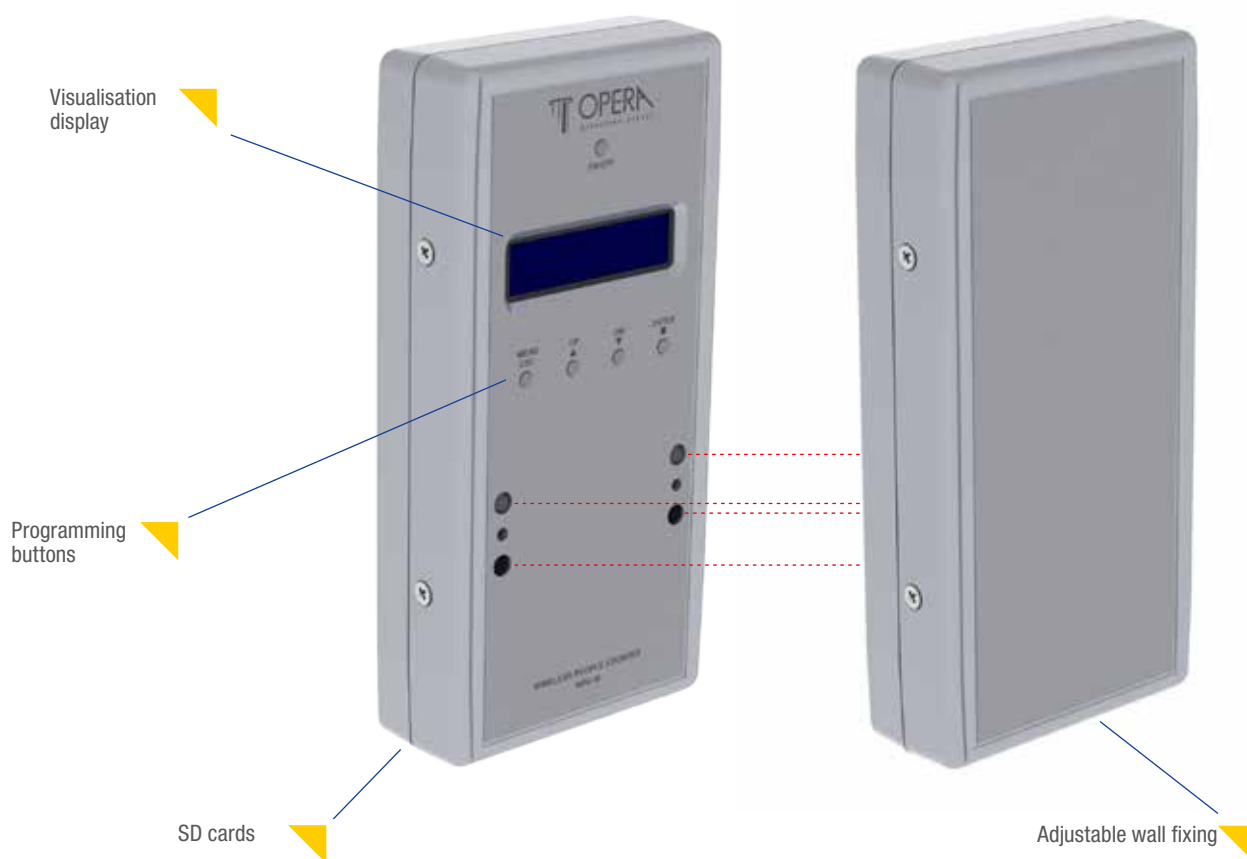


PEOPLE COUNTER

www.opera-italy.com

MASTER SYSTEM

SLAVE SYSTEM



PLUS

- ▶ Reduced dimensions
- ▶ Codified infrared system with battery power supply
- ▶ Uni or bidirectional transit counter
- ▶ Wire free easy installation
- ▶ Stand Alone version with data download on SD card
- ▶ Radiofrequency version for data download on the Hub
- ▶ Data Hub with Ethernet connection for PC access





PLUS ESEMPIO

- ▶ Wi-fi fonctionning
- ▶ Bidirectional entry and exit counter
- ▶ Wi-fi data download and query by the Ethernet network



Art.	Description
------	-------------

BIDIRECTIONAL VERSION**UNIDIRECTIONAL VERSION****PEOPLE COUNTER**

Electronics in ABS enclosures
 Dimensions: mm 165 x 80 x 35
 Rated voltage: 3.6 V - power draw < 3 mW
 Power supply: 3 x 3.6 V AA size Lithium thionyl chloride non rechargeable batteries. Operation over 1 year 59000
 Protection circuit against incorrect battery installation
 Version without batteries: 9 Vac/12 Vdc from inner terminals
 Front panel with LCD display 2 x 16 characters: mm 55 x 16
 Programming buttons from Master circuit
 USB port for firmware upgrades
 SD card slot for data storage and transfer to PC when used in stand-alone version
 Configurable addressing from 1 to 10 when used with the concentrator connected to the PC
 Data transfer to concentrator via 433.125 MHz radio frequency module
 Real time clock/date
 Data storage on non-volatile memory for 12 months period, 24 hours per day with details for each hour
 Photoelectric barrier in two-way or one-way version
 Controllable doors:

- 1 for the two-way version with maximum distance between the projector and receiver of 5 or 8 m (selectable)
- 1 for the one-way version with maximum door width of 2.5 m with reflector

Display information:

- Date and time
- Total entered
- Total exited
- Present in day
- Average presence in day
- Maximum presence in day
- Total presence since a pre-set date

Programmable settings for:

Date and time
 Activation of "beep" function for each passage
 Programming access password
 Configurable door direction
 Activation/deactivation reset time
 Set maximum number of presences
 Reset data in memory
 Display terminal number
 Photocell alignment test
 Restore factory settings
 Multilanguage support (Italian/English)
 Stand-alone version

59001
59002

One-way version
two-way version

59001RF
59002RF

RF version for use with data router
One-way version
two-way version

Use: monitoring the number of people within a room (public offices, exhibitions, museums, conference halls, supermarkets, etc.)



Art.	Description
------	-------------

05914

WI-FI DATA ROUTER

Box in black ABS
 Dimensions (mm): 92 x 66 x 27
 Power supply: 5Vdc from power supply on Usb connector (supplied)
 Nominal tension: 3,3Vdc
 Power consumption: < 30mW
 RJ45 plug-in for Ethernet connection
 Ethernet controller IEEE 802.3 compatible
 Transmission to Mini Counter people by radiofrequency 433 Mhz
 99 channel
 Set up and configuration by Micro USB port
 Web server housed in to view data of Mini counter via Lan Network. Static IP address is required

Use: Data centre for Wireless Counter people

05916

SD MEMORY CARD

Memory card for storage of data



05917

BATTERIES 3,6 V - AA

3 batteries needed for people counter



APPLICATIONS EXAMPLES



Art.	Description
------	-------------

05912WEB

VIEWING/DOWNLOADER SOFTWARE

Software supplied on auto-installing CD-Rom for connection of the Mini Counter People system with a PC for viewing from a local station via RS-232 or remotely via converter Art. 05913 of the current status of presences inside the monitored facility.



On the monitor the following is shown:

- The customer's name on the header (i.e.: Museum of Fine Arts)
- Number of people who have entered
- Number of people who have exited
- Number of people present
- 3 presence thresholds with different colouring on the screen and viewing in red of exceeded pre-established maximum thresholds

The program allows:

- Downloading of the data with reference to the presences in a period of time, setting a start date and an end date
- Downloading of the data setting a time interval
- Memorising the status of the presences in a determined moment

Use: this software allows downloading of the data stored in the memory of the people counter, placing it on a PC in an Excel file. The data is shown subdivided into Entrances, Exits and Presences in one hour intervals. This way the data is easily managed for preparation of statistics with reference to the presences within a predetermined period of time.



Art.**Description****59013****PALM PEOPLE COUNTER**

Container in black ABS

Dimensions (mm): 105 x 58 x 18

2 x 16 character LCD display

Operating voltage: 3 Vdc via 2 AAA type batteries – 1.5 V

Front label in polycarbonate with 4 buttons In / Out / Set / OK

Monitoring of bidirectional or mono-directional passages

Memorisation and upkeep of 30 days or 790 hours on non volatile memory

Battery status indicated on display



View on display:

- Date and time
- Total entrances per single hour
- Total exits per single hour
- Total presences per single hour

Settings programmable for:

Date and time

People Counter Reset

"Beep" function for every passing

Zero out data in memory

Automatic shut down

Use: monitoring of the number of people present in a room (public offices, exhibits, museums, conference rooms, supermarkets, etc...)



Art.	Description
------	-------------

Common characteristics:

High security 9 pin key cylinder. Body in nickel plated brass with tamper insert and pins in hardened anti-drilling steel. Built in accordance with EN1303 standards, grade 6 durability, grade 5 security.

Number of combinations: more than 300,000. Flat key in nickel plated brass, reversible. Supplied with certificate of ownership

DOUBLE FLAT KEY SECURITY CYLINDER

European profile cylinder body - Nickel plated finish

Supplied with 3 keys



08010 06	<u>Dimension 60 mm. (30 + 30)</u>
08010 07	<u>Dimension 65 mm. (30 + 35)</u>
08010 08	<u>Dimension 70 mm. (35 + 35)</u>
08010 09	<u>Dimension 70 mm. (40 + 30)</u>
08010 10	<u>Dimension 80 mm. (40 + 40)</u>
08010 11	<u>Dimension 80 mm. (45 + 35)</u>
08010 12	<u>Dimension 85 mm. (45 + 40)</u>
08010 13	<u>Dimension 90 mm. (45 + 45)</u>
08010 14	<u>Dimension 90 mm. (50 + 40)</u>
08010 15	<u>Dimension 90 mm. (55 + 35)</u>
08010 19	<u>Dimension 100 mm. (50 + 50)</u>
08010 20	<u>Dimension 100 mm. (60 + 40)</u>
08010 21	<u>Dimension 100 mm. (55 + 45)</u>
08010 22	<u>Dimension 100 mm. (70 + 30)</u>

HALF FLAT KEY SECURITY CYLINDER

European profile cylinder body. Matt nickel plated finish

Supplied with 3 nickel silver keys



08030 01	<u>Dimensions 40mm. (30 + 10)</u>
08030 04	<u>Dimension 45 mm. (35 + 10)</u>
08030 05	<u>Dimension 50 mm. (40 + 10)</u>
08030 06	<u>Dimension 60 mm (50 + 10)</u>
08030 08	<u>Dimension 70 mm. (60 + 10)</u>
08030 11	<u>Dimension 80 mm. (70 + 10)</u>
08030 13	<u>Dimension 90 mm. (80 + 10)</u>
08030 20	<u>Dimension 100 mm. (90 + 10)</u>



08040 00	KEY SWITCH Key switch with N.O. contact 90° rotation with automatic return of the key - Supplied with 3 keys
----------	---

01808	EXTRA KEY
-------	------------------

KA	UNIQUE ENCRYPTION PER CYLINDER (KA) Supplement for unique encryption per formed cylinder
----	--

TAMPER DEFENDER

Matt chromium plated body in hardened steel

Rotor in hardened steel

Dimensions (mm): 70 x 30 x 8

Fixing without through bolt holes with burglar block with cylinder inserted

Usable with cylinders which protrude up to 4 mm.

For greater protrusions special 1 mm. shims can be used up to the desired protrusion.

Use: tamper defender for security cylinders. Can be used with all cylinders mounted on electromechanical locks and solenoid locks



02250	<u>Defender</u>
02251	<u>1 mm. shims in steel</u>



GENERAL SALES CONDITIONS

These general sales conditions, save any modifications or variations agreed upon in writing, govern all sales contracts between us and the purchaser, thus including the contract concluded with the acceptance of the order as well as any future contract related to the supply of our company's products ordered with subsequent and distinct commissions.

Opera Srl sells only to professional customers. The customer, buying Opera products, assures to use it just for purposes related to his professional activity.

Prices:

Price list is in EURO and without taxes.

Prices do not contain freight cost and invoicing cost when due.

All invoices will be raised in EURO

Shipment:

National shipment (Italian territory):

- Net value of order, without taxes, is lower than Eur. 800,00 - Transport is paid til customer's premises, with charge in the invoice of the freight cost. The carrier is selected by Opera. In case the customer wish to use his own carrier or to select another carrier, the transport will be Ex our Work. In this case the freight costs are totally handled by customer/receiver.
- Net value of order, without taxes, is lower than Eur. 50,00 - Transport is paid til customer's premises, with charge in the invoice of the freight cost. The carrier is selected by Opera. - There is an extra charge of Eur. 10,00 for invoicing cost. Payment term is always up front or advanced.
- Net value of order, without taxes, is higher than Eur. 800,00 - Transport is paid til customer's premises, with no charge in the invoice for freight cost. The carrier is selected by Opera. In case the customer wish to use his own carrier or to select another carrier, the transport will be Ex our Work. In this case the freight costs are totally handled by customer/receiver.

International shipment - EEC zone:

- Net value of order, without taxes, is lower than Eur. 1.500,00 - Transport is paid til customer's premises, with charge in the invoice of the freight cost. The carrier is selected by Opera. In case the customer wish to use his own carrier or to select another carrier, the transport will be Ex our Work. In this case the freight costs are totally handled by customer/receiver.
- Net value of order, without taxes, is higher than Eur. 1.500,00 - Transport is paid til customer's premises, with no extra charge in the invoice for freight cost. The carrier is selected by Opera. - In case the customer wish to use his own carrier or to select another carrier, the transport will be Ex our Work. In this case the freight costs are totally handled by customer/receiver.

International shipment - Non EEC zone:

- Net value of order, without taxes, is lower than Eur. 2.000,00 - Transport is paid til customer's premises (Incoterm: CFR), with charge in the invoice of the freight cost. The carrier is selected by Opera. In case the customer wish to use his own carrier or to select another carrier, the transport will be Ex our Work. In this case the freight costs are totally handled by customer/receiver.
- Net value of order, without taxes, is higher than Eur. 2.000,00 - FOB with no extra charge in the invoice for freight cost. The carrier is selected by Opera. - In case the customer wish to use his own carrier or to select another carrier, the transport will be Ex our Work. In this case the freight costs are totally handled by customer/receiver.

Returns for repairing

- Returns are accepted only by Opera direct customers. Should anybody need to return goods for repairing, he has to address his request to the nearest Opera distributor.
- All returns have to be sent, freight costs free, to our main factory in Modena, Italy. The goods have to be correlated with a list of items, sort of problem found, contact name and telephone number.

Definitive return

- Any definitive return must be demanded in writing and authorised by Opera in writing.
- Upon authorisation, Goods for definitive return must be sent according to the instructions received. All documents must refer to the original invoice number.

QUALITY GUARANTEE

OPERA S.r.l. guarantees the proper operation of its products for 2 years from invoice date.

The guarantee, however, under no circumstances may go beyond the replacement free of charge of the piece which is considered to be defective.

No other expenses or indemnity may be charged to OPERA S.r.l.

The guarantee will be void if the products are tampered with by unauthorised personnel or if used spare parts are not original Opera parts.

CONTROVERSIES

For any controversy, even if it originates with the buyer, jurisdiction will fall to the Court of Modena.

The descriptions contained in this catalogue are to be considered indicative. The Company reserves the right to make technical or commercial modifications at any time and without advanced notice.







OPERA S.r.l.

Via Portogallo, 43 - 41122 Modena - ITALY

tel +39 059 451708 • fax +39 059 451697 / +39 059 4906735

info@opera-access.it

www.opera-italy.com