

UL-EU CERTIFICATE

Certificate No. UL-EU-00771-CPR
Page 1/157
Date of Issue 2015-04-19
Revised 2021-07-05

Certificate Holder FSi Ltd
Westminster Industrial Estate
Tamworth Rd
Measham
DE12 7DS
United Kingdom

Manufacturer A/008

Certified Product Type Fire Stop – Coated Board
Product Trade Name Stopseal 50 Coated Board / Stopseal 60 Coated Board
Trademark N/A
Rating/Classification See Appendix

Harmonised Technical Specifications ETAG 026-2 / EN 13501-2 / EN 13501-3
Supporting Documentation ETA 14/0005, EC – CERTIFICATE OF CONSTANCY OF PERFORMANCE - 1121 – CPR – JA5021, Classification Report No. 4789513566
Additional information Additional test evidence is held on file
Expiry date 2025-04-19



A handwritten signature in purple ink, appearing to read 'Chris Miles', is written over a horizontal line.

Authorized Certification Decision Maker
Chris Miles

This is to certify that representative samples of the Certified Product listed above have been investigated by Underwriters Laboratories to the Standard(s) indicated on this Certificate, in accordance with the UL Global Services Agreement and the UL-EU Mark Service Terms and Conditions ("Agreement"). The Certificate Holder is entitled to use the UL-EU Mark for the Certified Product listed on the certificate and manufactured at the production site(s) listed, in accordance with the terms of the Agreement. Only those products bearing the UL-EU Mark for Europe should be considered as being covered by UL's UL-EU Mark Service. This Certificate shall remain valid through the Expiration date, unless a Standard identified on this Certificate is amended or withdrawn prior to that date or there is a non-compliance with the Agreement.



Appendix UL-EU CERTIFICATE

Certificate No. UL-EU-00771-CPR
Page 2/157
Date of Issue 2015-04-19

This certificate relates to the use of Stopseal 50 Coated Board / Stopseal 60 Coated Board for fire stopping where services penetrate floors and walls. The detailed scope is given in pages 3 to 156 of this Certificate. This shows the thickness and acceptable dimensions, substrates and orientations required to provide fire resistance periods of up to 120 minutes (EI 120).

The product is certificated on the basis of:

- i) Inspection and surveillance of factory production control by UL
- ii) Fire resistance test data in accordance with 1366-3: 2009 & EN 1366-1: 2000
- iii) Classification in accordance with EN 13501-2 & EN 13501-3
- iv) Durability and Servicability as defined in ETAG 026-2

The durability class of Stopseal 50 Coated Board / Stopseal 60 Coated Board is Z₁ - intended for use at internal conditions with high humidity, excluding temperatures below 0°C

VOC test report – Indoor Air Comfort GOLD® referenced – eurofins 392-2017-00008801_A_EN, is also available.

Fire resisting & smoke extraction ducts penetrating the Stopseal Coated board shall be classified (EN13501-3/4) for the required performance period, in addition to the details given on page 156.



Appendix UL-EU CERTIFICATE

Certificate No. UL-EU-00771-CPR
 Page 3/157
 Date of Issue 2015-04-19

Product-type: Coated board		Intended use: Penetration Seal
Basic requirement for construction work	Basic Requirement	Basic requirement for construction work
BWR 1 Mechanical resistance and stability		
-	None	-
BWR 2 Safety in case of fire		
EN 13501-1	Reaction to fire	Class E
EN 13501-2	Resistance to fire	See pages 7 to 156
BWR 3 Hygiene, health and environment		
EN 1026:2000	Air permeability (material property)	See page 4
ETAG 026-3, Annex C	Water permeability (material property)	No performance determined
Declaration of manufacturer	Release of dangerous substances	Declaration of manufacturer
BWR 4 Safety in use		
EOTA TR 001:2003	Mechanical resistance and stability	No performance determined
EOTA TR 001:2003	Resistance to impact/movement	No performance determined
EOTA TR 001:2003 ISO 11600	Adhesion	No performance determined
BWR 5 Protection against noise		
EN 10140-2/ EN ISO 717-1	Airborne sound insulation	R _w (C;C _{tr})= 24(-2;-3) and See pages 5&6
EN 10140-3/ EN ISO 717-2	Impact sound insulation	No performance determined
BWR 6 Energy economy and heat retention		
EN 12664, EN 12667 or EN 12939	Thermal properties	No performance determined
EN ISO 12572 EN 12086	Water vapour permeability	No performance determined
General aspects relating to fitness for use		
ISO 8339: 2005, ISO 9046: 2004 & ISO 7389: 2003	Durability and serviceability	Z ₁
BWR 7 Sustainable use of natural resources		
-	-	No performance determined



Appendix UL-EU CERTIFICATE

Certificate No. UL-EU-00771-CPR
Page 4/157
Date of Issue 2015-04-19

Stopseal 50 Coated Board: Air Permeability according to BS EN 1026

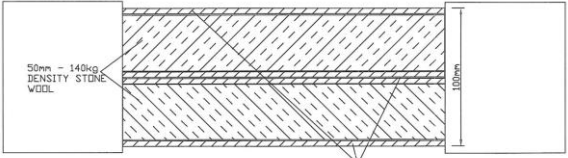
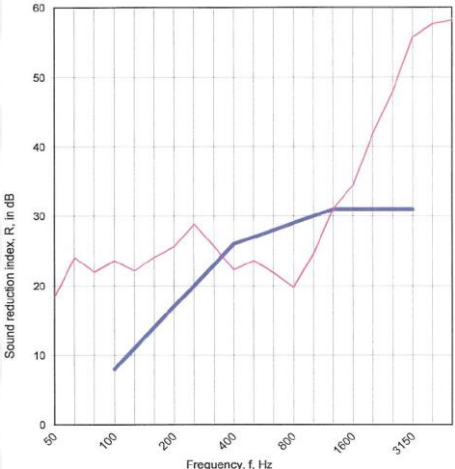
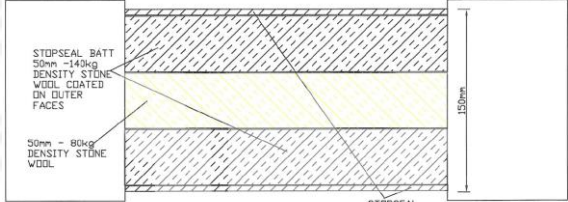
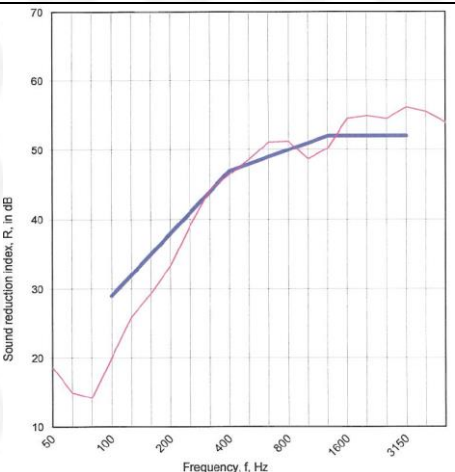
Pressure (Pa)	Results under positive chamber pressure		Results under negative chamber pressure	
	Leakage (m ³ /h)	Leakage (m ³ /m ² / h)	Leakage (m ³ /h)	Leakage (m ³ /m ² / h)
50	0.6	0.8	1.1	1.5
100	1.0	1.4	1.3	1.8
150	2.8	3.9	1.5	2.1
200	3.8	5.3	1.9	2.6
250	4.5	6.3	2.0	2.8
300	5.0	6.9	2.4	3.3
450	5.1	7.1	1.9	2.6
600	6.7	9.3	2.2	3.1



Appendix UL-EU CERTIFICATE

Certificate No. UL-EU-00771-CPR
 Page 5/157
 Date of Issue 2015-04-19

Stopseal 50 Coated Board: Acoustic performance according to BS EN ISO 10140-2:2010

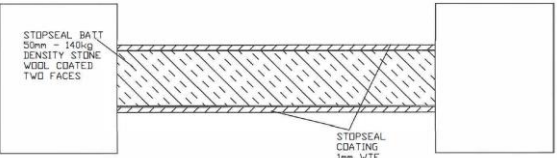
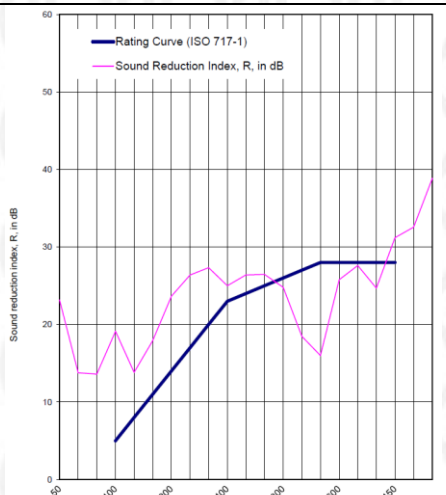
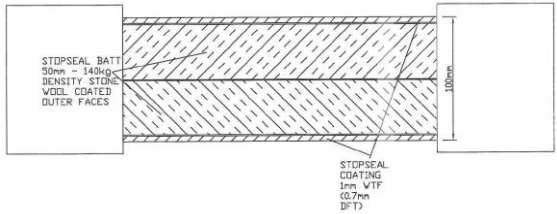
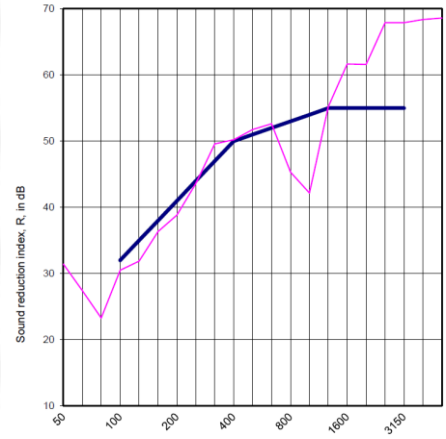
Configuration	$R_w(C; C_{tr})$ Specimen only, 1m ²	D_{new} Partition & Specimen, 14.2m ²
 <p>50mm - 140kg DENSITY STONE WOOL</p> <p>STOPSEAL COATING 1mm VTF (0.7mm DFT)</p> <p>100mm</p>	<p>27 (0; -2)</p>  <p>Sound reduction index, R, in dB</p> <p>Frequency, f, Hz</p>	<p>37 (0; -2)</p>
 <p>STOPSEAL BATT 50mm - 140kg DENSITY STONE WOOL COATED ON OUTER FACES</p> <p>50mm - 80kg DENSITY STONE WOOL</p> <p>STOPSEAL COATING 1mm VTF (0.7mm DFT)</p> <p>100mm</p>	<p>48 (-3; 16)</p>  <p>Sound reduction index, R, in dB</p> <p>Frequency, f, Hz</p>	<p>58 (-3; 16)</p>



Appendix UL-EU CERTIFICATE

Certificate No. UL-EU-00771-CPR
 Page 6/157
 Date of Issue 2015-04-19

Stopseal 50 Coated Board: Acoustic performance according to BS EN ISO 10140-2:2010

Configuration	$R_w(C; C_{tr})$ Specimen only, 1m ²	D_{new} Partition & Specimen, 14.2m ²
 <p>STOPSEAL BATT 20mm - 140kg DENSITY STONE WOOL COATED TWO FACES</p> <p>STOPSEAL COATING 1mm WTF (0.7mm DFT)</p>	<p>24 (-2; -3)</p> 	<p>35 (-2; -4)</p>
 <p>STOPSEAL BATT 50mm - 140kg DENSITY STONE WOOL COATED OUTER FACES</p> <p>STOPSEAL COATING 1mm WTF (0.7mm DFT)</p> <p>50mm</p>	<p>41 (-2; -7)</p> 	<p>51 (-2; -7)</p>



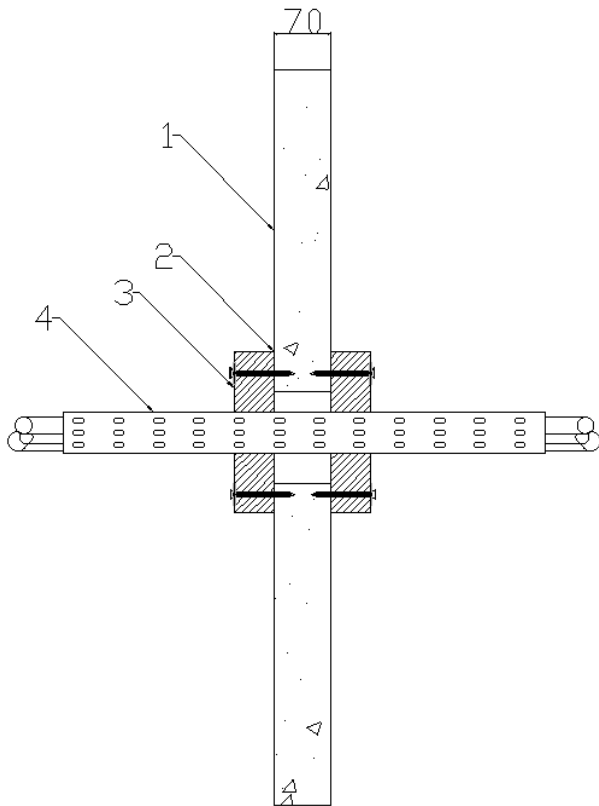
Appendix UL-EU CERTIFICATE

Certificate No. UL-EU-00771-CPR
 Page 7/157
 Date of Issue 2015-04-19

Rigid Walls Minimum Thickness 70mm

Single Layer Pattress Stopseal Fire Batt 50mm, Electrical Cables

Max Aperture 730mm Wide x 1200mm High



Key

1. Supporting Construction
2. Pyrocoustic Sealant
3. Stopseal Batt
4. Service Penetration

Service(s)

500mm wide x 60mm deep steel cable basket containing 3 x type 'B' cable and 20 x bundle of telecoms cables

500mm wide x 60mm deep steel cable tray containing 1 x type 'B' cable, 3 x type 'A1' cable, 3 x type 'A2' cable, and 3 x type 'A3' cable

Classification

EI 90

¹Pattress installation of Stopseal Coated Batt. The Batts are installed in horizontal rows and fixed on all edges. Overlap of batts to substrate min 50mm. Batts mechanically fixed to substrate with min 6mm x 80mm steel screws and steel retaining washer. Fixings installed at max 300mm centres

27-CP-F0855 Issue: 3.1

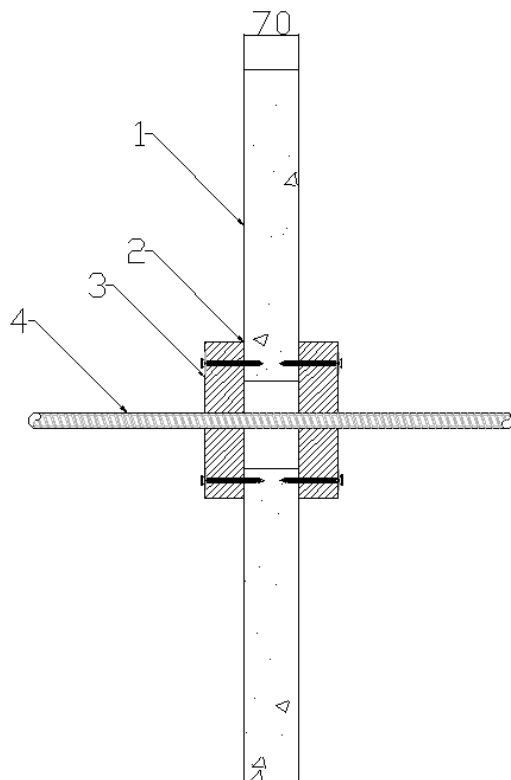


Appendix UL-EU CERTIFICATE

Certificate No. UL-EU-00771-CPR
 Page 8/157
 Date of Issue 2015-04-19

Single Layer Pattress Stopseal Fire Batt 50mm, Electrical Cables and Conduits

Max Aperture 730mm Wide x 1200mm High



Key

1. Supporting Construction
2. Pyrocoustic Sealant
3. Stopseal Batt
4. Service Penetration

Service(s)	Classification
20mm dia Adaptaflex SPL20 flexible conduit	EI 90
20mm dia Kopex KSU 316 stainless steel flexible conduit	
150mm wide x 60mm deep steel cable tray containing 4 x FP200 Gold (Firealarm cable 7mm dia red) Cables	E 90 EI 60

¹Pattress installation of Stopseal Coated Batt. The Batts are installed in horizontal rows and fixed on all edges. Overlap of batts to substrate min 50mm. Batts mechanically fixed to substrate with min 6mm x 80mm steel screws and steel retaining washer. Fixings installed at max 300mm centres

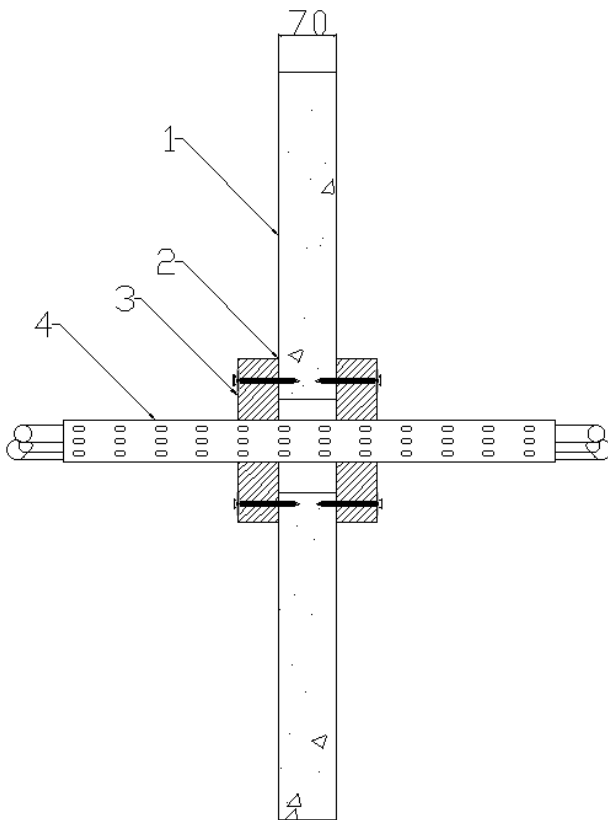


Appendix UL-EU CERTIFICATE

Certificate No. UL-EU-00771-CPR
 Page 9/157
 Date of Issue 2015-04-19

Single Layer Patress Stopseal Fire Batt 50mm, Electrical Cables

Max Aperture 2600mm Wide x 2600mm High



Key

- 1. Supporting Construction
- 2. Pyrocoustic Sealant
- 3. Stopseal Batt
- 4. Service Penetration

Service(s)

500mm wide x 60mm deep steel cable basket containing 3 x type 'B' cable and 20 x bundle of telecoms cables

500mm wide x 60mm deep steel cable tray containing 1 x type 'B' cable, 3 x type 'A1' cable, 3 x type 'A2' cable, and 3 x type 'A3' cable

Classification

EI 60

¹Patress installation of Stopseal Coated Batt. The Batts are installed in horizontal rows and fixed on all edges. Overlap of batts to substrate min 50mm. Batts mechanically fixed to substrate with min 6mm x 80mm steel screws and steel retaining washer. Fixings installed at max 300mm centres

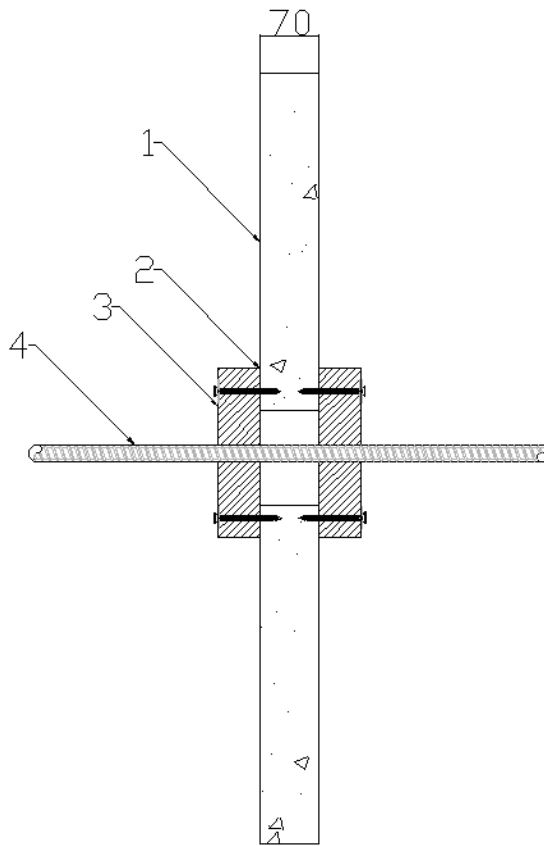


Appendix UL-EU CERTIFICATE

Certificate No. UL-EU-00771-CPR
 Page 10/157
 Date of Issue 2015-04-19

Single Layer Patress Stopseal Fire Batt 50mm, Electrical Cables and Conduits

Max Aperture 2600mm Wide x 2600mm High



Key

1. Supporting Construction
2. Pyrocoustic Sealant
3. Stopseal Batt
4. Service Penetration

Service(s)	Classification
20mm dia Adaptaflex SPL20 flexible conduit	EI 60
20mm dia Kopex KSU 316 stainless steel flexible conduit	
150mm wide x 60mm deep steel cable tray containing 4 x FP200 Gold (Firealarm cable 7mm dia red) Cables	EI 60

¹Patress installation of Stopseal Coated Batt. The Batts are installed in horizontal rows and fixed on all edges. Overlap of batts to substrate min 50mm. Batts mechanically fixed to substrate with min 6mm x 80mm steel screws and steel retaining washer. Fixings installed at max 300mm centres

27-CP-F0855 Issue: 3.1



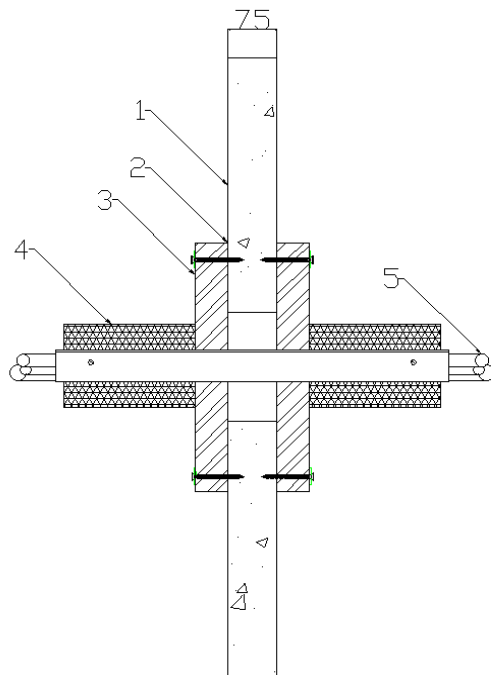
Appendix UL-EU CERTIFICATE

Certificate No. UL-EU-00771-CPR
 Page 11/157
 Date of Issue 2015-04-19

Rigid Walls Minimum Thickness 75mm

Single Layer Pattress Stopseal Fire Batt 50mm, Electrical Cables and Cable Trunking

Max Aperture 2600mm Wide x 2600mm High



Key

1. Supporting Construction
2. Pyrocoustic Sealant
3. Stopseal Batt
4. Insulation
5. Service Penetration

Service(s)

150mm x 150mm Insulated steel cable trunking, Stone Wool 40mm thick, 45kg/m³ (LI 400mm). FSi S-Line Pillows tightly fitted around the cables in the section of trunking within the depth of the partition

Cables 1xB1, 1xC1, 1xG1, 1xG2

Cables 1xB1

Cables 1xC1

Unsheathed electrical cables 0-24mm dia

Classification

EI 60 U/U

EI 60

¹Pattress installation of Stopseal Coated Batt. The Batts are installed in horizontal rows and fixed in minimum two vertical edges. Overlap of batts to substrate min 50mm. Batts mechanically fixed to substrate with min 6mm x 80mm steel screws and steel retaining washer. Fixings installed at max 300mm centres

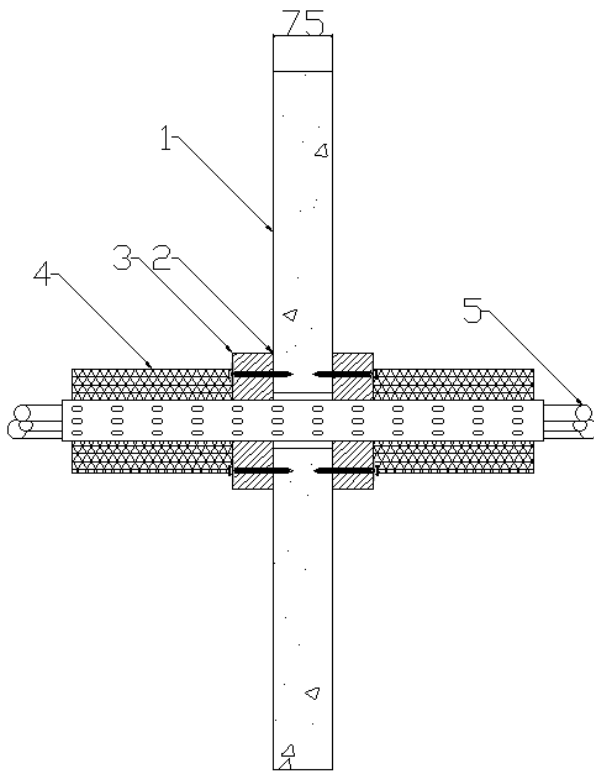


Appendix UL-EU CERTIFICATE

Certificate No. UL-EU-00771-CPR
 Page 12/157
 Date of Issue 2015-04-19

Single Layer Pattress Stopseal Fire Batt 50mm, Electrical Cables and Cable Trunking

Max Aperture 2600mm Wide x 2600mm High



Key

1. Supporting Construction
2. Pyroacoustic Sealant
3. Stopseal Batt
4. Insulation
5. Service Penetrations

Service(s)	Classification
50mm x 50mm Insulated steel cable trunking, Stone Wool 40mm thick, 45kg/m ³ (LI 400mm). FSi S-Line Pillows tightly fitted around the cables in the section of trunking within the depth of the partition	EI 60 U/U
Cables 1xA1, 1xA2, 1xA3	EI 60
Cables 1xA1	
Cables 1xA2	
Cables 1xA3	

¹Pattress installation of Stopseal Coated Batt. The Batts are installed in horizontal rows and fixed in minimum two vertical edges. Overlap of batts to substrate min 50mm. Batts mechanically fixed to substrate with min 6mm x 80mm steel screws and steel retaining washer. Fixings installed at max 300mm centres



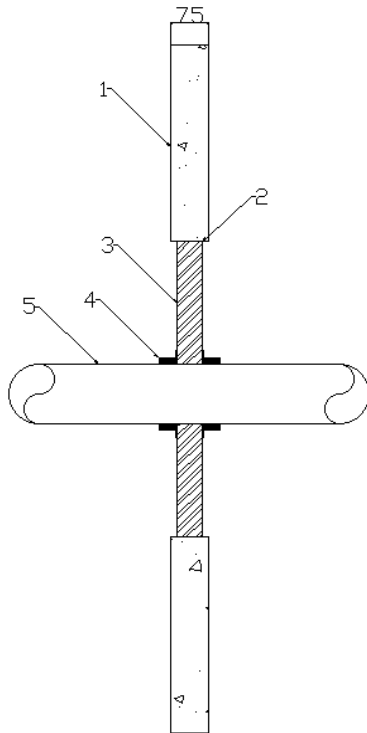
Appendix UL-EU CERTIFICATE

Certificate No. UL-EU-00771-CPR
 Page 13/157
 Date of Issue 2015-04-19

Single Layer Stopseal Fire Batt 50mm, Plastic Pipes

Max Aperture 600mm Wide x 600mm High

(Penetrations positioned as per option 1 or 2 below, 0mm distance between services and 50mm to edge of seal)
 Collars secured both faces of the substrate utilising 80mm long steel pig tail screw through to Stopseal Fire Batt



Key

1. Supporting construction
2. Pyrocoustic Sealant
3. Stopseal Batt
4. PipeBloc PCP
5. Service Penetration

Service(s)	PipeBloc PCP Ref	Classification
PVC Pipe 32mm Ø, 1.8mm wall thickness	32mm	EI 60 U/C
PVC Pipe 40mm Ø, 1.8mm wall thickness	40mm	
PVC Pipe 50mm Ø, 1.8mm wall thickness	50mm	
PVC Pipe 55mm Ø, 1.8-2.3mm wall thickness	55mm	
PVC Pipe 63mm Ø, 2.3-3mm wall thickness	63mm	
PVC Pipe 75mm Ø, 3.1-4.8mm wall thickness	75mm	
PVC Pipe 82mm Ø, 3.1-4.8mm wall thickness	82mm	
PVC Pipe 90mm Ø, 4.2-7.4mm wall thickness	90mm	
PVC Pipe 100mm Ø, 4.2-7.4mm wall thickness	100mm	
PVC Pipe 110mm Ø, 4.2-7.4mm wall thickness	110mm	
PVC Pipe 125mm Ø, 6mm wall thickness	125mm	
PVC Pipe 140mm Ø, 6.1-7.5mm wall thickness	140mm	

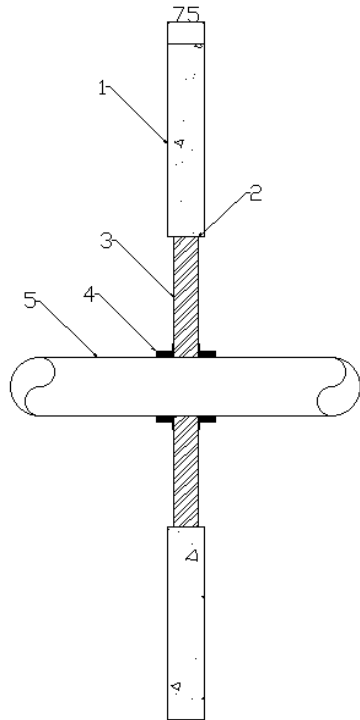


Appendix UL-EU CERTIFICATE

Certificate No. UL-EU-00771-CPR
 Page 14/157
 Date of Issue 2015-04-19

Max Aperture 600mm Wide x 600mm High

(Penetrations positioned as per option 1 or 2 below, 0mm distance between services and 50mm to edge of seal)
 Collars secured both faces of the substrate utilising 80mm long steel pig tail screw through to Stopseal Fire Batt



Key

1. Supporting construction
2. Pyrocoustic Sealant
3. Stopseal Batt
4. PipeBloc PCP
5. Service Penetration

Service(s)	PipeBloc PCP Ref	Classification
PE Pipe 32mm Ø, 2.9mm wall thickness	32mm	EI 60 U/C
PE Pipe 40mm Ø, 2.9mm wall thickness	40mm	
PE Pipe 50mm Ø, 2.9mm wall thickness	50mm	
PE Pipe 55mm Ø, 2.9-4.4mm wall thickness	55mm	
PE Pipe 63mm Ø, 2.9-4.4mm wall thickness	63mm	
PE Pipe 75mm Ø, 2.8-6.7mm wall thickness	75mm	
PE Pipe 82mm Ø, 2.8-6.7mm wall thickness	82mm	
PE Pipe 90mm Ø, 2.7-10mm wall thickness	90mm	
PE Pipe 100mm Ø, 2.7-10mm wall thickness	100mm	
PE Pipe 110mm Ø, 2.7-10mm wall thickness	110mm	
PE Pipe 125mm Ø, 3.1mm wall thickness	125mm	
PE Pipe 140mm Ø, 3.9-5.8mm wall thickness	140mm	
PE Pipe 160mm Ø, 4.9-9.5mm wall thickness	160mm	

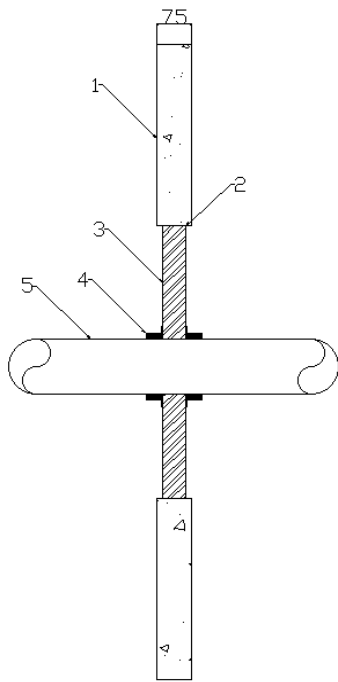


Appendix UL-EU CERTIFICATE

Certificate No. UL-EU-00771-CPR
 Page 15/157
 Date of Issue 2015-04-19

Max Aperture 600mm Wide x 600mm High

(Penetrations positioned as per option 1 or 2 below, 0mm distance between services and 50mm to edge of seal)
 Collars secured both faces of the substrate utilising 80mm long steel pig tail screw through to Stopseal Fire Batt



Key

1. Supporting construction
2. Pyrocoustic Sealant
3. Stopseal Batt
4. PipeBloc PCP
5. Service Penetration

Service(s)	PipeBloc PCP Ref	Classification
PP Pipe 32mm Ø, 2.9mm wall thickness	32mm	EI 60 U/C
PP Pipe 40mm Ø, 2.9mm wall thickness	40mm	
PP Pipe 50mm Ø, 2.9mm wall thickness	50mm	
PP Pipe 55mm Ø, 2.9-4.4mm wall thickness	55mm	
PP Pipe 63mm Ø, 2.9-4.4mm wall thickness	63mm	
PP Pipe 75mm Ø, 2.8-6.7mm wall thickness	75mm	
PP Pipe 82mm Ø, 2.8-6.7mm wall thickness	82mm	
PP Pipe 90mm Ø, 2.7-10mm wall thickness	90mm	
PP Pipe 100mm Ø, 2.7-10mm wall thickness	100mm	
PP Pipe 110mm Ø, 2.7-10mm wall thickness	110mm	
PP Pipe 125mm Ø, 3.1mm wall thickness	125mm	
PP Pipe 140mm Ø, 3.5-8mm wall thickness	140mm	
PP Pipe 160mm Ø, 4-14.6mm wall thickness	160mm	



Appendix UL-EU CERTIFICATE

Certificate No. UL-EU-00771-CPR
 Page 16/157
 Date of Issue 2015-04-19

Rigid Walls Minimum Thickness 100mm

Double Layer Stopseal Fire Batt 50mm, Electrical Cables and Conduits

Max Aperture 2600mm Wide x 2600mm High	
	<p><u>Key</u></p> <ol style="list-style-type: none"> 1. Supporting construction 2. Pyrocoustic Sealant 3. Stopseal Batt 4. Service Penetration
Service(s)	Classification
Electrical cables 0mm to 21mm dia	EI 60
Electrical cables 22mm to 50mm dia	E 60 EI 45
Electrical cables 51mm to 80mm dia	E 60 EI 30
Cable Trays and Ladders	E 60 EI 45
100 mm diameter bundle telecommunication cable type "F"	EI 60
Unsheathed electrical cables 0-24mm dia	
Steel or Copper Conduits up to 16mm	E 60 C/U
Plastic conduits up to 16mm	EI 60 C/U

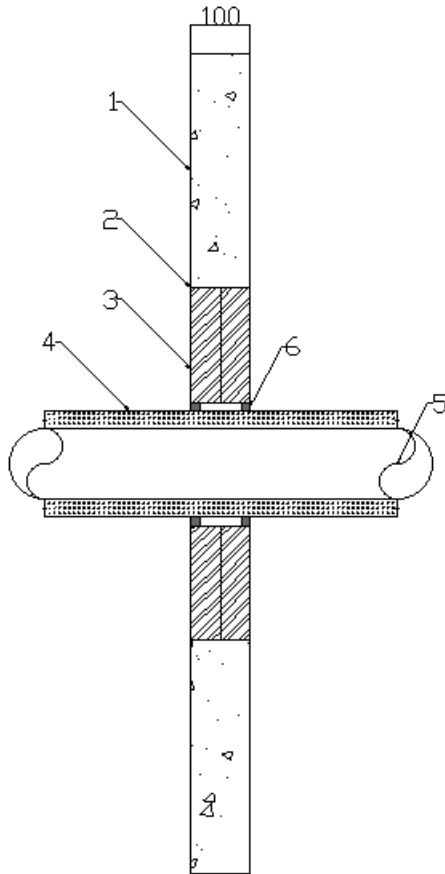


Appendix UL-EU CERTIFICATE

Certificate No. UL-EU-00771-CPR
 Page 17/157
 Date of Issue 2015-04-19

Double Layer Stopseal Fire Batt 50mm, Insulated Metallic Pipes

Max Aperture 730mm Wide x 1200mm High



Key

1. Supporting construction
2. Pyrocoustic Sealant
3. Stopseal Batt
4. Insulation
5. Penetration Service
6. Pyropro HPE

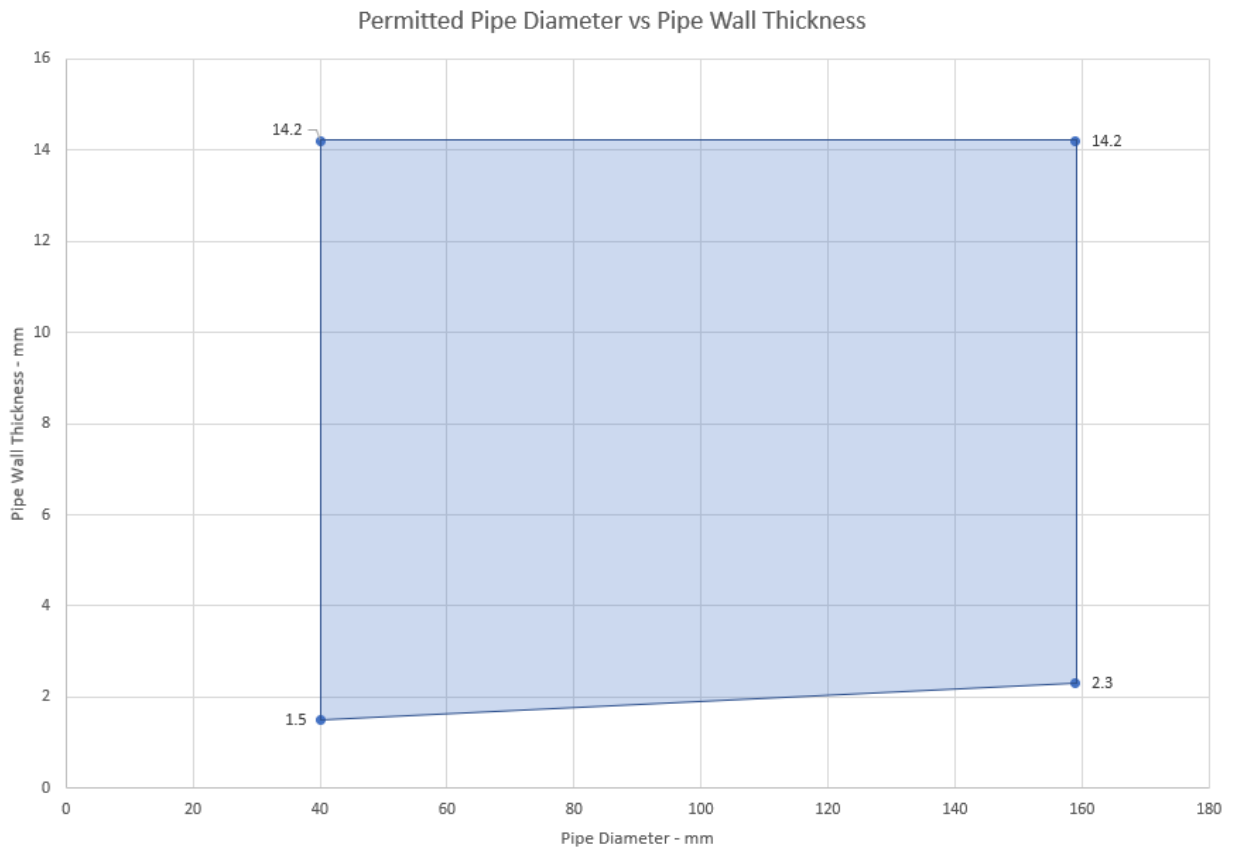
Service(s)	Classification
¹ Single copper or mild steel pipe 40mm diameter and 1.5 – 14.2 mm wall with sustained/continuous 20mm thick foil faced glass wool insulation (min 80Kg/m ³)	E 90 U/C EI 60 U/C
¹ Single copper or mild steel pipe 40-159mm diameter and 1.5 – 14.2 mm wall (see graph below) with sustained/continuous 30mm thick foil faced glass wool insulation (min 80Kg/m ³)	EI 60 U/C

¹15mm deep x 15mm wide annulus Pyropro HPE Sealant to both faces of the pipe



Appendix UL-EU CERTIFICATE

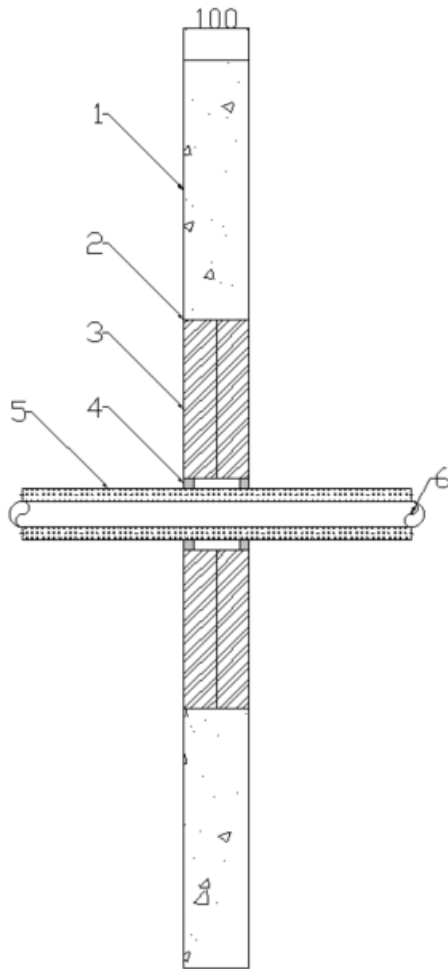
Certificate No. UL-EU-00771-CPR
Page 18/157
Date of Issue 2015-04-19



Appendix UL-EU CERTIFICATE

Certificate No. UL-EU-00771-CPR
 Page 19/157
 Date of Issue 2015-04-19

Max Aperture 2600mm Wide x 2600mm High



Key

1. Supporting construction
2. Pyrocoustic Sealant
3. Stopseal Batt
4. Pyropro HPE
5. Insulation
6. Penetration Service

Service(s)

Classification

¹Single copper or mild steel pipe 40mm diameter and 1.5 – 14.2 mm wall with sustained/continuous 20mm thick foil faced glass wool insulation (min 80Kg/m³)

EI 60 U/C

¹Single copper or mild steel pipe 40-159mm diameter and 1.5 – 14.2 mm wall (see graph below) with sustained/continuous 30mm thick foil faced glass wool insulation (min 80Kg/m³)

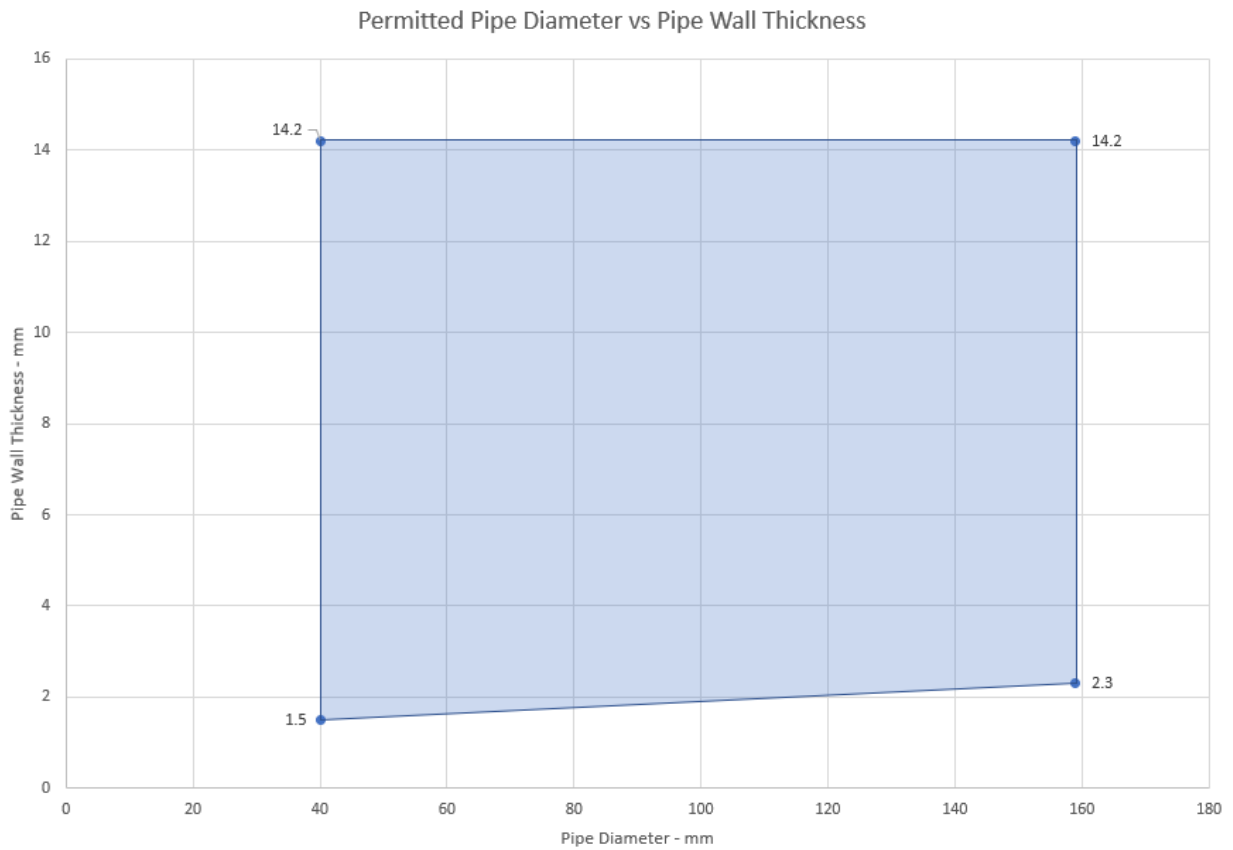
EI 60 U/C

¹15mm deep x 15mm wide annulus Pyropro HPE Sealant to both faces of the pipe



Appendix UL-EU CERTIFICATE

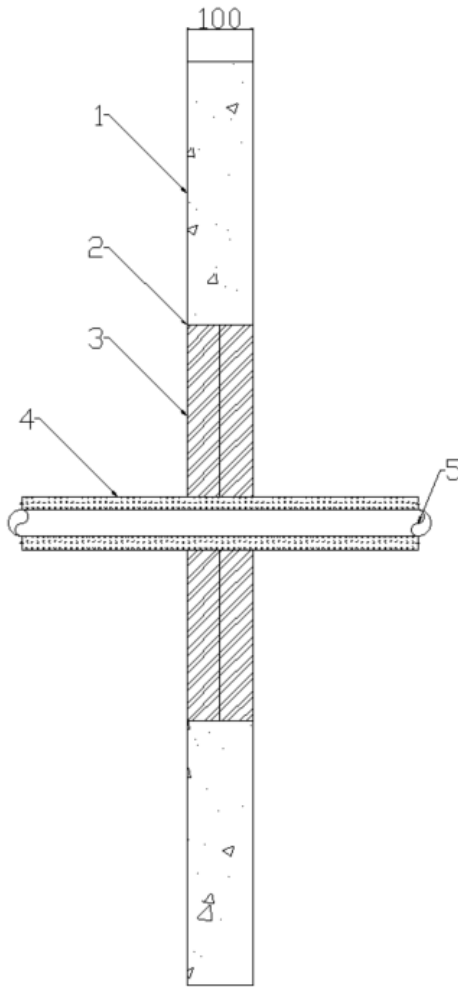
Certificate No. UL-EU-00771-CPR
Page 20/157
Date of Issue 2015-04-19



Appendix UL-EU CERTIFICATE

Certificate No. UL-EU-00771-CPR
 Page 21/157
 Date of Issue 2015-04-19

Max Aperture 730mm Wide x 1200mm High



Key

1. Supporting construction
2. Pyroacoustic Sealant
3. Stopseal Batt
4. Insulation
5. Penetration Service

Service(s)

Classification

Steel or Copper Pipe 42-159mm Ø, 1.0mm – 14.2mm wall thickness (see graph below). 25mm thick foil faced glassfibre insulation min. 30kg/m³ (C/S)

E 120 C/U
 EI 45 C/U

Steel or Copper Pipe 42mm Ø, 1mm – 14.2mm wall thickness. 25mm thick foil faced glassfibre insulation min. 30kg/m³ (C/S)

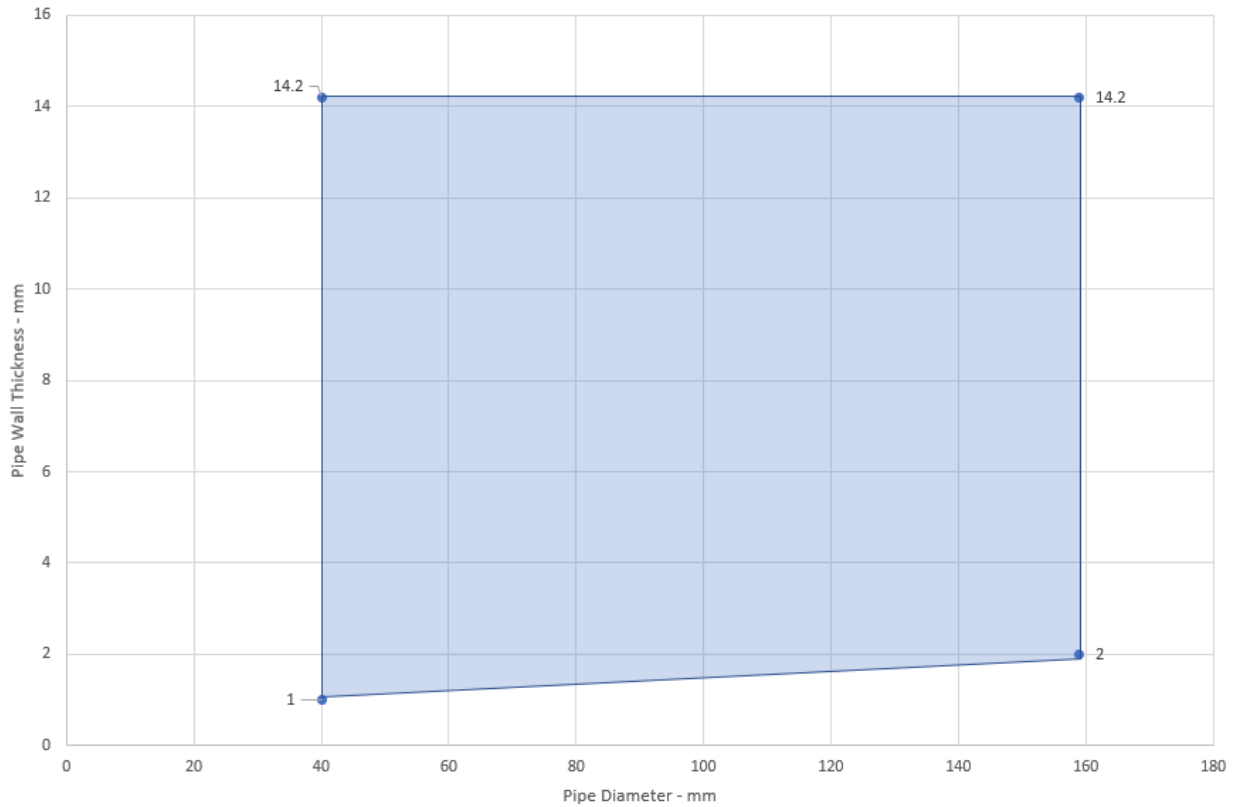
E 120 C/U
 EI 60 C/U



Appendix UL-EU CERTIFICATE

Certificate No. UL-EU-00771-CPR
Page 22/157
Date of Issue 2015-04-19

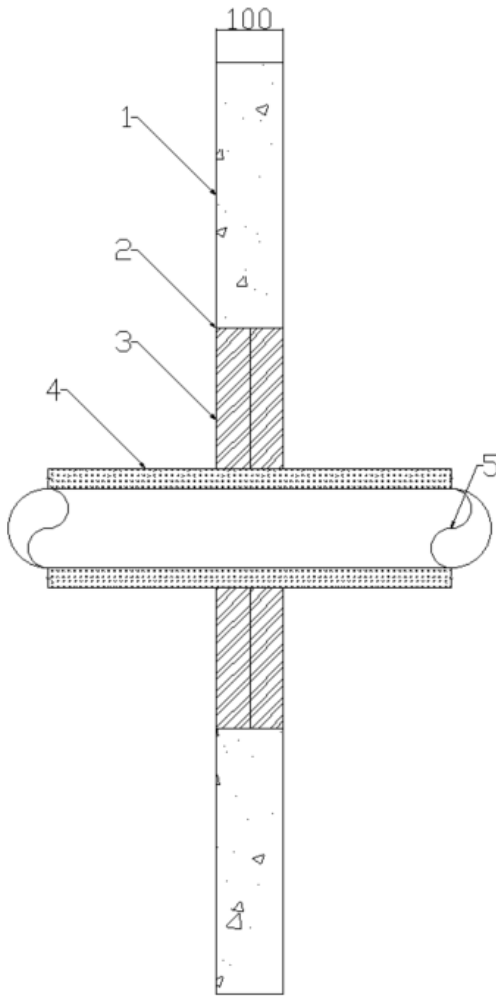
Permitted Pipe Diameter vs Pipe Wall Thickness



Appendix UL-EU CERTIFICATE

Certificate No. UL-EU-00771-CPR
 Page 23/157
 Date of Issue 2015-04-19

Max Aperture 2600mm Wide x 2600mm High



Key

1. Supporting construction
2. Pyroacoustic Sealant
3. Stopseal Batt
4. Insulation
5. Penetration Service

Service(s)

Classification

Steel or Copper Pipe 42-159mm Ø, 1.0mm – 14.2mm wall thickness (see graph below). 25mm thick foil faced glassfibre insulation min. 30kg/m³ (C/S)

E 60 C/U
 EI 45 C/U

Steel or Copper Pipe 42mm Ø, 1mm – 14.2mm wall thickness. 25mm thick foil faced glassfibre insulation min. 30kg/m³ (C/S)

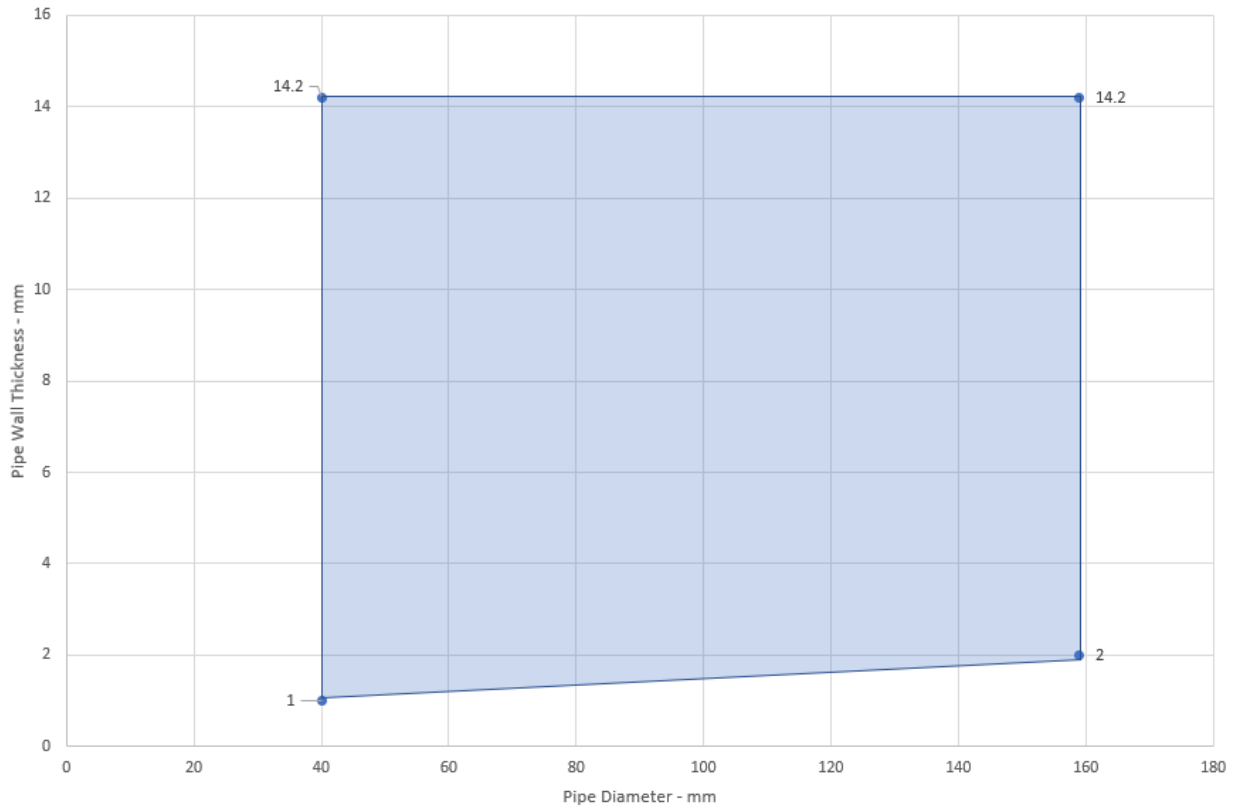
E 60 C/U
 EI 60 C/U



Appendix UL-EU CERTIFICATE

Certificate No. UL-EU-00771-CPR
Page 24/157
Date of Issue 2015-04-19

Permitted Pipe Diameter vs Pipe Wall Thickness

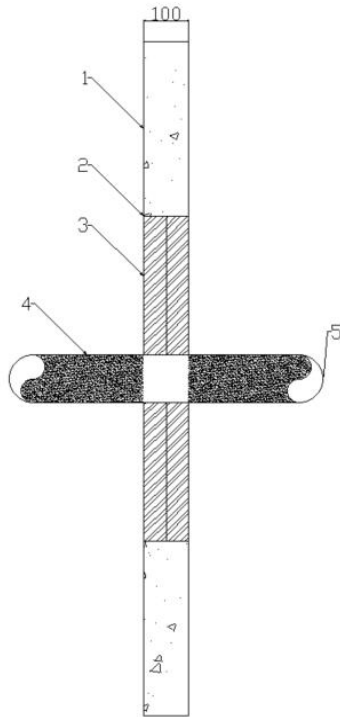


Appendix UL-EU CERTIFICATE

Certificate No. UL-EU-00771-CPR
 Page 25/157
 Date of Issue 2015-04-19

Max Aperture 730mm Wide x 1200mm High

(Penetrations positioned as per option 1 or 2 below, 0mm distance between services and 50mm to edge of seal)



Key

1. Supporting construction
2. Pyrocoustic Sealant
3. Stopseal Batt
4. PST Coating
5. Penetration Service

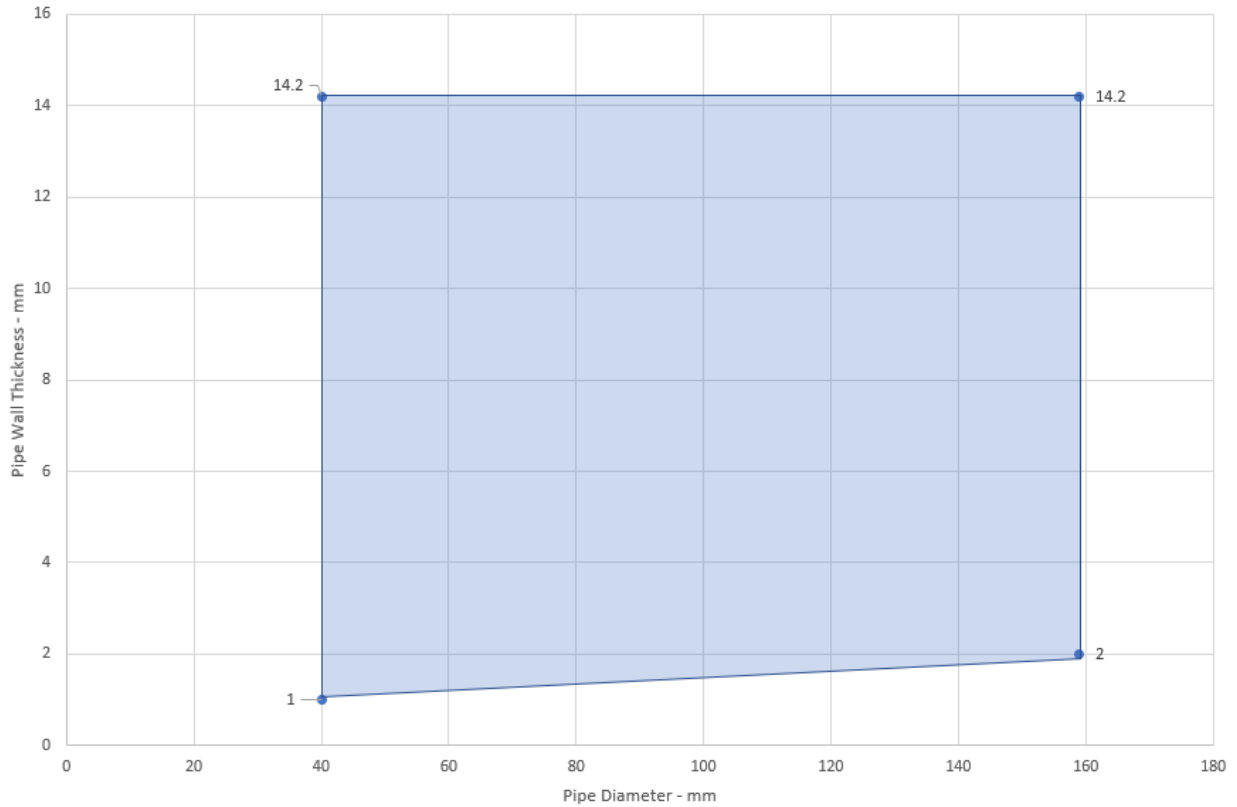
Service(s)	Classification
Steel or Copper Pipe 108mm Ø, 1.5mm – 14.2mm wall thickness, 50mm thick foil faced stonewool insulation min. 100kg/m ³ (L/I 500mm)	E 120 C/U EI 45 C/U
Steel or Copper Pipe 108mm Ø, 1.5mm – 14.2mm wall thickness, 50mm thick foil faced stonewool insulation min. 100kg/m ³ (C/I)	E 120 C/U EI 60 C/U
Steel or Copper Pipe 42-159mm Ø, 1.0mm – 14.2mm wall thickness (see graph below), 40mm thick foil faced stonewool insulation min. 40kg/m ³ (L/I 400mm)	EI 45 C/U
Steel 42-324mm Ø, 16mm wall thickness. 40mm thick foil faced stonewool insulation min. 40kg/m ³ (L/I 400mm)	EI 45 C/U
Steel or Copper Pipe 42mm Ø, 1.0mm – 14.2mm wall thickness, FSi PST coating along the penetration 2mm DFT (L/I 300mm)	E 120 C/U EI 45 C/U
Steel or Copper Pipe 42-159mm Ø, 1.0mm – 14.2mm wall thickness (see graph below), FSi PST coating along the penetration 2mm DFT (L/I 300mm)	E 120 C/U EI 20 C/U
Steel 42-324mm Ø, 16mm wall thickness. 14.2mm wall thickness FSi PST coating along the penetration 2mm DFT (L/I 300mm)	E 120 C/U EI 45 C/U



Appendix UL-EU CERTIFICATE

Certificate No. UL-EU-00771-CPR
Page 26/157
Date of Issue 2015-04-19

Permitted Pipe Diameter vs Pipe Wall Thickness

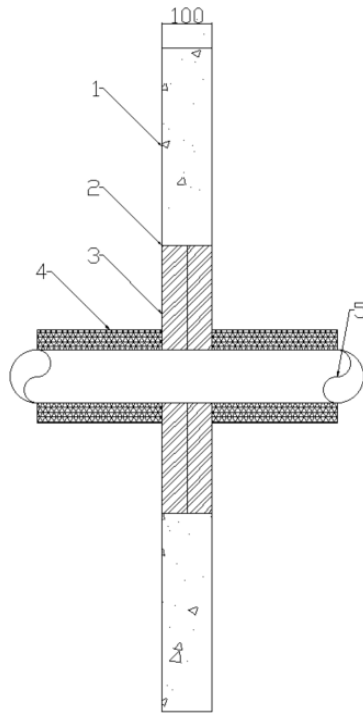


Appendix UL-EU CERTIFICATE

Certificate No. UL-EU-00771-CPR
 Page 27/157
 Date of Issue 2015-04-19

Max Aperture 2600mm Wide x 2600mm High

(Penetrations positioned as per option 1 or 2 below, 0mm distance between services and 50mm to edge of seal)



Key

1. Supporting construction
2. Pyrocoustic Sealant
3. Stopseal Batt
4. Insulation
5. Penetration Service

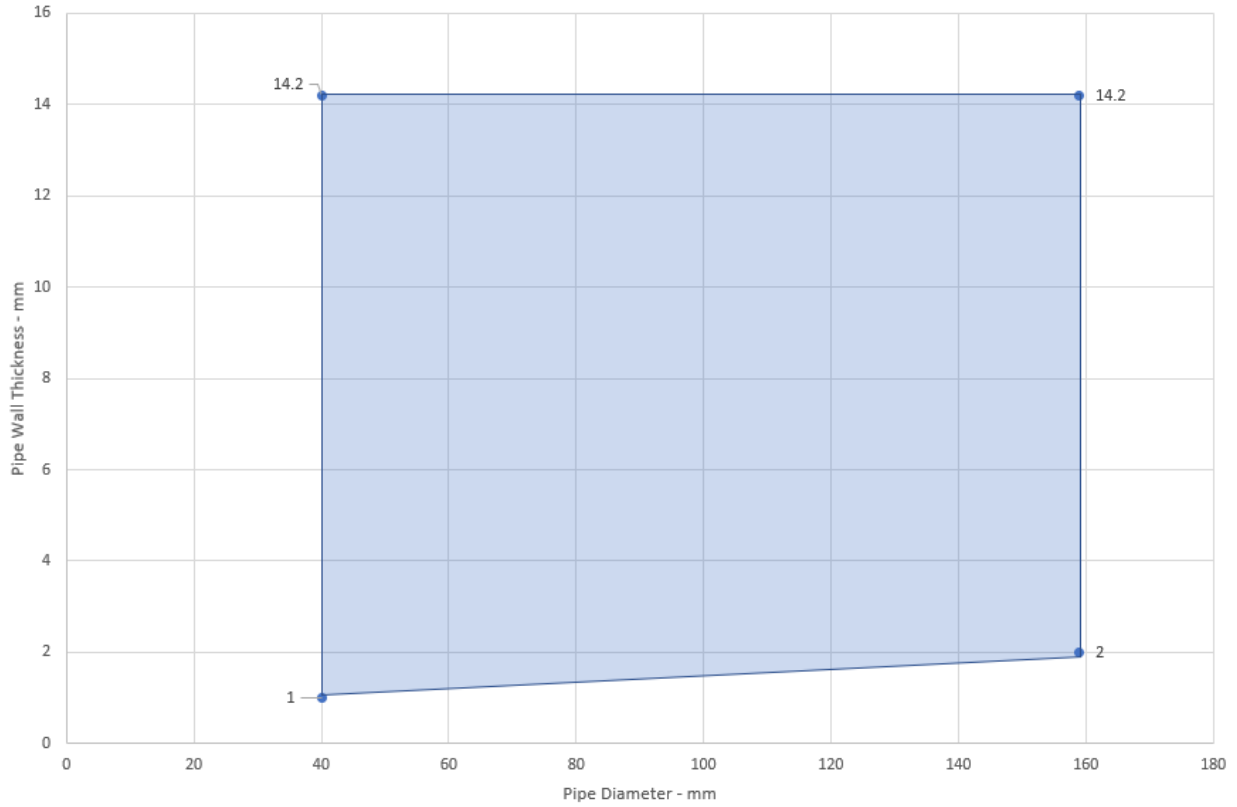
Service(s)	Classification
Steel or Copper Pipe 108mm Ø, 1.5mm – 14.2mm wall thickness 50mm thick foil faced stonewool insulation min. 100kg/m ³ (L/I 500mm)	E 60 C/U EI 45 C/U
Steel or Copper Pipe 108mm Ø, 1.5mm – 14.2mm wall thickness, 50mm thick foil faced stonewool insulation min. 100kg/m ³ (C/I)	EI 60 C/U
Steel or Copper Pipe 42-159mm Ø, 1.0mm – 14.2mm wall thickness (see graph below), 40mm thick foil faced stonewool insulation min. 40kg/m ³ (L/I 400mm)	EI 45 C/U
Steel 42-324mm Ø, 16mm wall thickness. 40mm thick foil faced stonewool insulation min. 40kg/m ³ (L/I 400mm)	EI 45 C/U
Steel or Copper Pipe 42mm Ø, 1.0mm – 14.2mm wall thickness, FSi PST coating along the penetration 2mm DFT (L/I 300mm)	E 60 C/U EI 45 C/U
Steel or Copper Pipe 42-159mm Ø, 1.2mm – 14.2mm wall thickness (see graph below), FSi PST coating along the penetration 2mm DFT (L/I 300mm)	E 60 C/U EI 20 C/U
Steel 42-324mm Ø, 16mm wall thickness. 14.2mm wall thickness FSi PST coating along the penetration 2mm DFT (L/I 400mm)	E 60 C/U EI 45 C/U



Appendix UL-EU CERTIFICATE

Certificate No. UL-EU-00771-CPR
Page 28/157
Date of Issue 2015-04-19

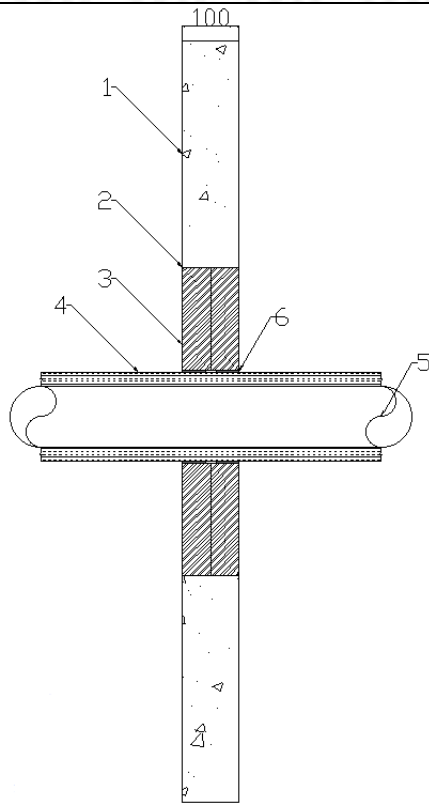
Permitted Pipe Diameter vs Pipe Wall Thickness



Appendix UL-EU CERTIFICATE

Certificate No. UL-EU-00771-CPR
 Page 29/157
 Date of Issue 2015-04-19

Max Aperture 750mm Wide x 1200mm High



Key

1. Supporting construction
2. Pyrocoustic Sealant
3. Stopseal Batt
4. Insulation
5. Penetration Service
6. PipeBloc EL / PipeBloc PWP

Service(s)	Classification
¹ Steel or Copper Pipe 42-159mm Ø, 1.2mm – 14.2mm wall thickness. 13-25mm thick K Flex ST Insulation ² (C/S)	E 120 C/U EI 60 C/U
¹ Steel or Copper Pipe 42mm Ø, 1 – 14.2mm wall thickness. 25-13mm thick K Flex ST insulation ² (C/S)	E 120 C/U EI 90 C/U
¹ Steel or Copper Pipe 42-108mm Ø, 1.2 – 14.2mm wall thickness. 25 -40mm thick Kingspan Kooltherm FM insulation ³ (C/S)	E 120 C/U EI 60 C/U
¹ Steel or Copper Pipe 42mm Ø, 1–14.2mm wall thickness. 25 -40mm thick Kingspan Kooltherm FM insulation ³ (C/S)	E 120 C/U EI 90 C/U
¹ Steel or Copper Pipe 42mm Ø, 1.0–14.2mm wall thickness. 50mm thick glassfibre insulation (C/S)	E 120 C/U EI 90 C/U

¹2 x 2mm thick layers of PipeBloc EL / PipeBloc PWP installed both sides of the Stopseal Fire Batt

²Or equivalent elastomeric pipe insulation classified BL – s2, d0 or better to EN 13501-1

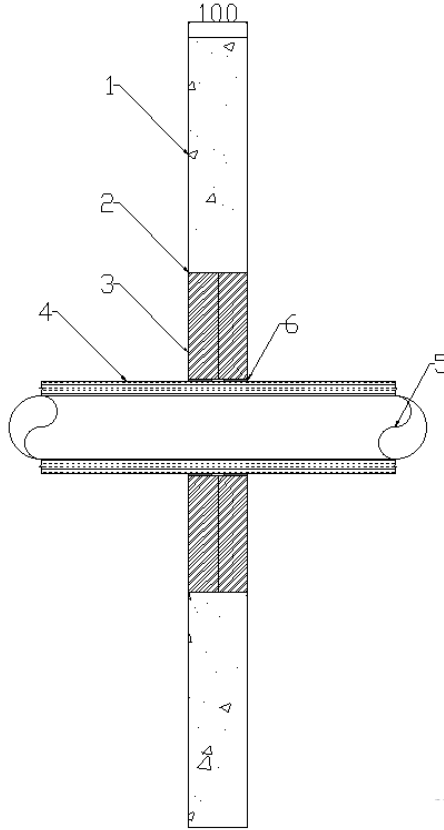
³Or equivalent Phenolic foam pipe insulation classified BL – s1, d0 or better to EN 13501-1



Appendix UL-EU CERTIFICATE

Certificate No. UL-EU-00771-CPR
 Page 30/157
 Date of Issue 2015-04-19

Max Aperture 2600mm Wide x 2600mm High



Key

1. Supporting construction
2. Pyrocoustic Sealant
3. Stopseal Batt
4. Insulation
5. Penetration Service
6. PipeBloc EL / PipeBloc PWP

Service(s)

Classification

Service(s)	Classification
¹ Steel or Copper Pipe 42-159mm Ø, 1.2mm – 14.2mm wall thickness. 13-25mm thick K Flex ST Insulation ² (C/S)	EI 60 C/U
¹ Steel or Copper Pipe 42mm Ø, 1 – 14.2mm wall thickness. 25-13mm thick K Flex ST insulation ² (C/S)	EI 60 C/U
¹ Steel or Copper Pipe 42-108mm Ø, 1.2 – 14.2mm wall thickness. 25 -40mm thick Kingspan Kooltherm FM insulation ³ (C/S)	EI 60 C/U
¹ Steel or Copper Pipe 42mm Ø, 1–14.2mm wall thickness. 25 -40mm thick Kingspan Kooltherm FM insulation ³ (C/S)	EI 60 C/U
¹ Steel or Copper Pipe 42mm Ø, 1.02–14.2mm wall thickness. 50mm thick glassfibre insulation (C/S)	EI 60 C/U

¹2 x 2mm thick layers of PipeBloc EL / PipeBloc PWP installed both sides of the Stopseal Fire Batt

²Or equivalent elastomeric pipe insulation classified BL – s2, d0 or better to EN 13501-1

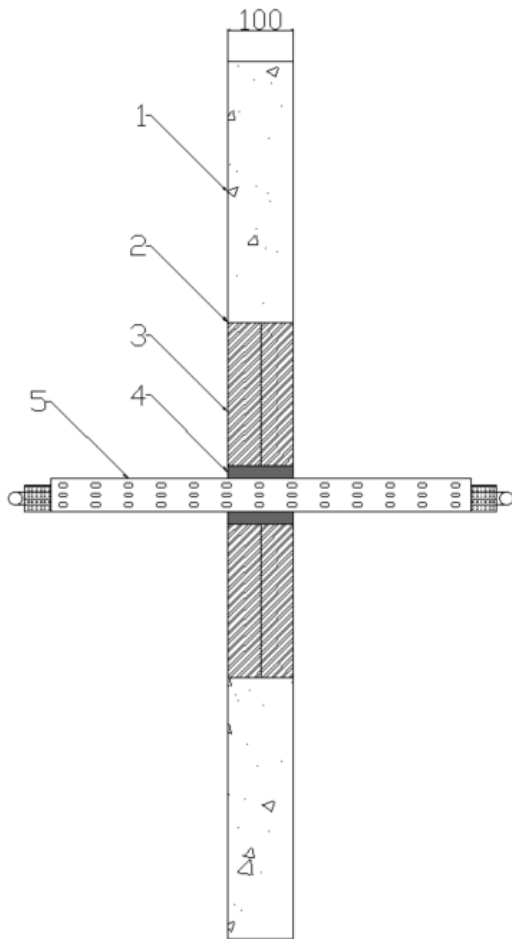
³Or equivalent Phenolic foam pipe insulation classified BL – s1, d0 or better to EN 13501-1



Appendix UL-EU CERTIFICATE

Certificate No. UL-EU-00771-CPR
 Page 31/157
 Date of Issue 2015-04-19

Max Aperture 730mm Wide x 1200mm High



Key

1. Supporting construction
2. Pyrocoustic Sealant
3. Stopseal Batt
4. Pypropro HPE
5. Penetration Service

Service(s)	Classification
¹ 6 off Steel or Copper Pipe 22mm Ø, 0.9mm – 14.2mm wall thickness. 19mm thick Armaflex ² (L/S 400mm)	EI 90 C/U
¹ 500mm steel cable tray	E 90 EI 15

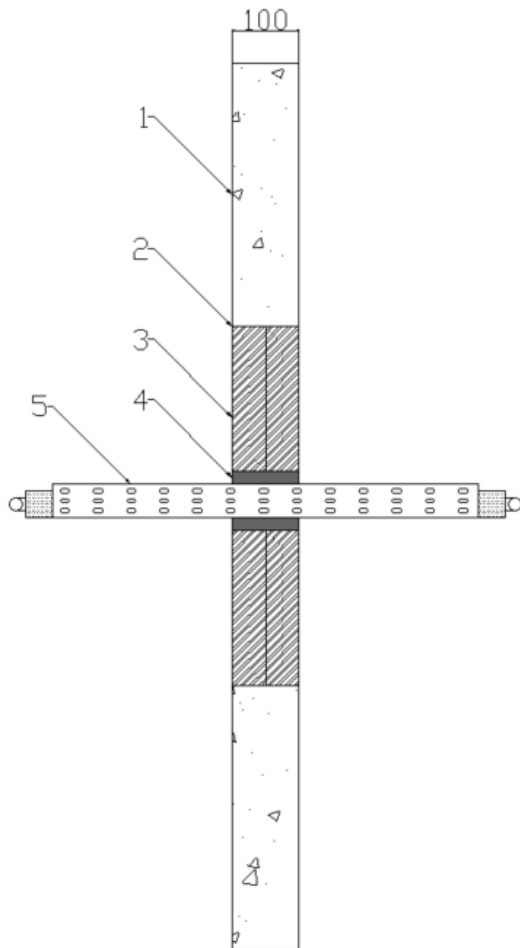
¹Pyropro HPE 20mm annulus full 50mm depth of the Stopseal Coated Batt
²Or equivalent elastomeric pipe insulation classified BL – s2, d0 or better to EN 13501-1



Appendix UL-EU CERTIFICATE

Certificate No. UL-EU-00771-CPR
 Page 32/157
 Date of Issue 2015-04-19

Max Aperture 2600mm Wide x 2600mm High



Key

1. Supporting construction
2. Pyrocoustic Sealant
3. Stopseal Batt
4. Pyropro HPE
5. Penetration Service

Service(s)

Classification

¹ 6 off Steel or Copper Pipe 22mm Ø, 0.9mm – 14.2mm wall thickness. 19mm thick Armaflex² (L/S 400mm)

EI 60 C/U

¹500mm steel cable tray

E 60
EI 15

¹Pyropro HPE 20mm annulus full 50mm depth of the Stopseal Coated Batt

²Or equivalent elastomeric pipe insulation classified BL – s2, d0 or better to EN 13501-1



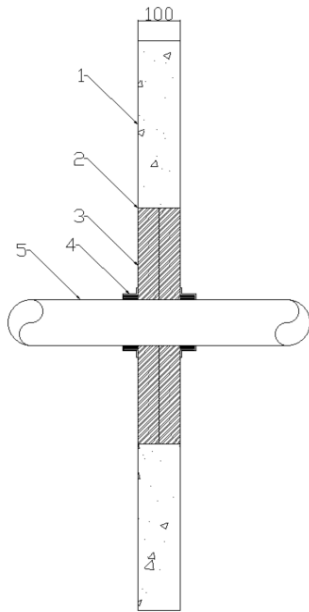
Appendix UL-EU CERTIFICATE

Certificate No. UL-EU-00771-CPR
 Page 33/157
 Date of Issue 2015-04-19

Double Layer Stopseal Fire Batt 50mm, Plastic Pipes

Max Aperture 730mm Wide x 1200mm High

(Penetrations positioned as per option 1 or 2 below, 0mm distance between services and 50mm to edge of seal)
 Collars secured both faces of the substrate utilising 80mm long steel pig tail screw through to Stopseal Fire Batt



Key

1. Supporting construction
2. Pyrocoustic Sealant
3. Stopseal Batt
4. PipeBloc PCP
5. Penetration Service

Service(s)	PipeBloc PCP Ref	Classification
PVC Pipe 32mm Ø, 1.8mm wall thickness	32mm	EI 120 U/C
PVC Pipe 40mm Ø, 1.8mm wall thickness	40mm	
PVC Pipe 50mm Ø, 1.8mm wall thickness	50mm	
PVC Pipe 55mm Ø, 1.8-2.3mm wall thickness	55mm	
PVC Pipe 63mm Ø, 2.3-3mm wall thickness	63mm	
PVC Pipe 75mm Ø, 3.1-4.8mm wall thickness	75mm	
PVC Pipe 82mm Ø, 3.1-4.8mm wall thickness	82mm	
PVC Pipe 90mm Ø, 4.2-7.4mm wall thickness	90mm	
PVC Pipe 100mm Ø, 4.2-7.4mm wall thickness	100mm	
PVC Pipe 110mm Ø, 4.2-7.4mm wall thickness	110mm	
PVC Pipe 125mm Ø, 6mm wall thickness	125mm	
PVC Pipe 140mm Ø, 6.1-7.5mm wall thickness	140mm	

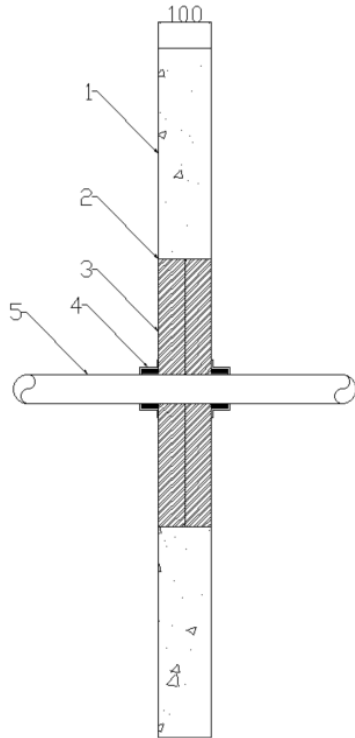


Appendix UL-EU CERTIFICATE

Certificate No. UL-EU-00771-CPR
 Page 34/157
 Date of Issue 2015-04-19

Max Aperture 2600mm Wide x 2600mm High

(Penetrations positioned as per option 1 or 2 below, 0mm distance between services and 50mm to edge of seal)
 Collars secured both faces of the substrate utilising 80mm long steel pig tail screw through to Stopseal Fire Batt



Key

1. Supporting construction
2. Pyrocoustic Sealant
3. Stopseal Batt
4. PipeBloc PCP
5. Penetration Service

Service(s)	PipeBloc PCP Ref	Classification
PVC Pipe 32mm Ø, 1.8mm wall thickness	32mm	EI 60 U/C
PVC Pipe 40mm Ø, 1.8mm wall thickness	40mm	
PVC Pipe 50mm Ø, 1.8mm wall thickness	50mm	
PVC Pipe 55mm Ø, 1.8-2.3mm wall thickness	55mm	
PVC Pipe 63mm Ø, 2.3-3mm wall thickness	63mm	
PVC Pipe 75mm Ø, 3.1-4.8mm wall thickness	75mm	
PVC Pipe 82mm Ø, 3.1-4.8mm wall thickness	82mm	
PVC Pipe 90mm Ø, 4.2-7.4mm wall thickness	90mm	
PVC Pipe 100mm Ø, 4.2-7.4mm wall thickness	100mm	
PVC Pipe 110mm Ø, 4.2-7.4mm wall thickness	110mm	
PVC Pipe 125mm Ø, 6mm wall thickness	125mm	
PVC Pipe 140mm Ø, 6.1-7.5mm wall thickness	140mm	
PVC Pipe 160mm Ø, 6.2-9.5mm wall thickness	160mm	

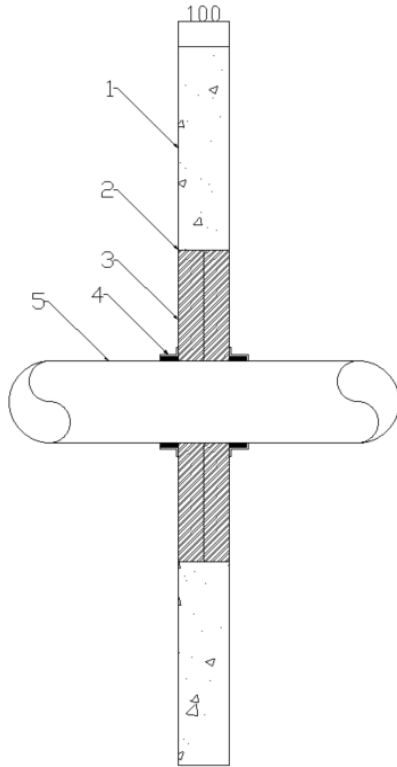


Appendix UL-EU CERTIFICATE

Certificate No. UL-EU-00771-CPR
 Page 35/157
 Date of Issue 2015-04-19

Max Aperture 730mm Wide x 1200mm High

(Penetrations positioned as per option 1 or 2 below, 0mm distance between services and 50mm to edge of seal)
 Collars secured both faces of the substrate utilising 80mm long steel pig tail screw through to Stopseal Fire Batt



Key

1. Supporting construction
2. Pyrocoustic Sealant
3. Stopseal Batt
4. PipeBloc PCP
5. Penetration Service

Service(s)	PipeBloc PCP Ref	Classification
PP Pipe 32mm Ø, 2.9mm wall thickness	32mm	EI 120 U/C
PP Pipe 40mm Ø, 2.9mm wall thickness	40mm	
PP Pipe 50mm Ø, 2.9mm wall thickness	50mm	
PP Pipe 55mm Ø, 2.9-4.4mm wall thickness	55mm	
PP Pipe 63mm Ø, 2.9-4.4mm wall thickness	63mm	
PP Pipe 75mm Ø, 2.8-6.7mm wall thickness	75mm	
PP Pipe 82mm Ø, 2.8-6.7mm wall thickness	82mm	
PP Pipe 90mm Ø, 2.7-10mm wall thickness	90mm	
PP Pipe 100mm Ø, 2.7-10mm wall thickness	100mm	
PP Pipe 110mm Ø, 2.7-10mm wall thickness	110mm	
PP Pipe 125mm Ø, 3.1mm wall thickness	125mm	
PP Pipe 140mm Ø, 3.5-8mm wall thickness	140mm	
PP Pipe 160mm Ø, 4-14.6mm wall thickness	160mm	

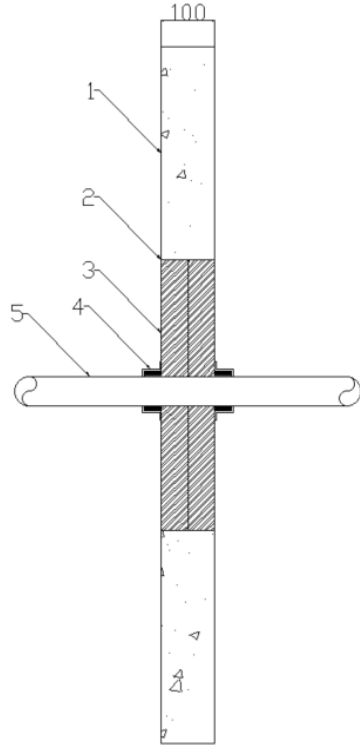


Appendix UL-EU CERTIFICATE

Certificate No. UL-EU-00771-CPR
 Page 36/157
 Date of Issue 2015-04-19

Max Aperture 2600mm Wide x 2600mm High

(Penetrations positioned as per option 1 or 2 below, 0mm distance between services and 50mm to edge of seal)
 Collars secured both faces of the substrate utilising 80mm long steel pig tail screw through to Stopseal Fire Batt



Key

1. Supporting construction
2. Pyrocoustic Sealant
3. Stopseal Batt
4. PipeBloc PCP
5. Penetration Service

Service(s)	PipeBloc PCP Ref	Classification
PP Pipe 32mm Ø, 2.9mm wall thickness	32mm	EI 60 U/C
PP Pipe 40mm Ø, 2.9mm wall thickness	40mm	
PP Pipe 50mm Ø, 2.9mm wall thickness	50mm	
PP Pipe 55mm Ø, 2.9-4.4mm wall thickness	55mm	
PP Pipe 63mm Ø, 2.9-4.4mm wall thickness	63mm	
PP Pipe 75mm Ø, 2.8-6.7mm wall thickness	75mm	
PP Pipe 82mm Ø, 2.8-6.7mm wall thickness	82mm	
PP Pipe 90mm Ø, 2.7-10mm wall thickness	90mm	
PP Pipe 100mm Ø, 2.7-10mm wall thickness	100mm	
PP Pipe 110mm Ø, 2.7-10mm wall thickness	110mm	
PP Pipe 125mm Ø, 3.1mm wall thickness	125mm	
PP Pipe 140mm Ø, 3.5-8mm wall thickness	140mm	
PP Pipe 160mm Ø, 4-14.6mm wall thickness	160mm	

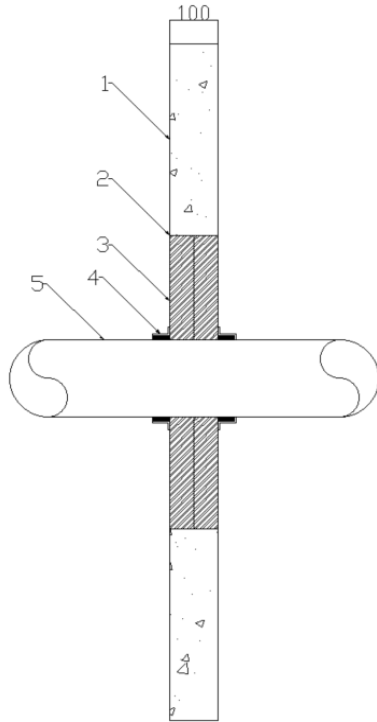


Appendix UL-EU CERTIFICATE

Certificate No. UL-EU-00771-CPR
 Page 37/157
 Date of Issue 2015-04-19

Max Aperture 730mm Wide x 1200mm High

(Penetrations positioned as per option 1 or 2 below, 0mm distance between services and 50mm to edge of seal)
 Collars secured both faces of the substrate utilising 80mm long steel pig tail screw through to Stopseal Fire Batt



Key

1. Supporting construction
2. Pyrocoustic Sealant
3. Stopseal Batt
4. PipeBloc PCP
5. Penetration Service

Service(s)	PipeBloc PCP Ref	Classification
PE Pipe 32mm Ø, 2.9mm wall thickness	32mm	EI 120 U/C
PE Pipe 40mm Ø, 2.9mm wall thickness	40mm	
PE Pipe 50mm Ø, 2.9mm wall thickness	50mm	
PE Pipe 55mm Ø, 2.9-4.4mm wall thickness	55mm	
PE Pipe 63mm Ø, 2.9-4.4mm wall thickness	63mm	
PE Pipe 75mm Ø, 2.8-6.7mm wall thickness	75mm	
PE Pipe 82mm Ø, 2.8-6.7mm wall thickness	82mm	
PE Pipe 90mm Ø, 2.7-10mm wall thickness	90mm	
PE Pipe 100mm Ø, 2.7-10mm wall thickness	100mm	
PE Pipe 110mm Ø, 2.7-10mm wall thickness	110mm	
PE Pipe 125mm Ø, 3.1mm wall thickness	125mm	
PE Pipe 140mm Ø, 3.9-5.8mm wall thickness	140mm	
PE Pipe 160mm Ø, 4.9-9.5mm wall thickness	160mm	

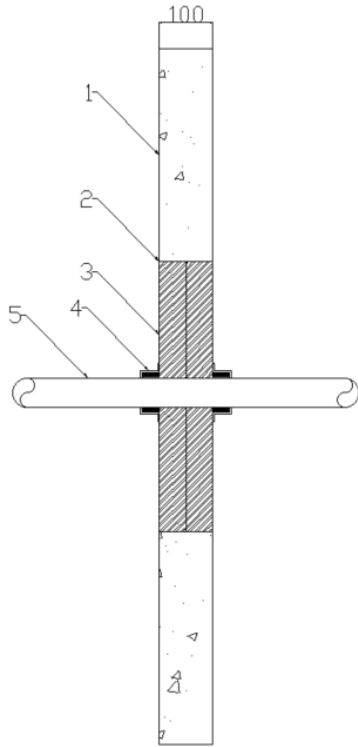


Appendix UL-EU CERTIFICATE

Certificate No. UL-EU-00771-CPR
 Page 38/157
 Date of Issue 2015-04-19

Max Aperture 2600mm Wide x 2600mm High

(Penetrations positioned as per option 1 or 2 below, 0mm distance between services and 50mm to edge of seal)
 Collars secured both faces of the substrate utilising 80mm long steel pig tail screw through to Stopseal Fire Batt



Key

1. Supporting construction
2. Pyrocoustic Sealant
3. Stopseal Batt
4. PipeBloc PCP
5. Penetration Service

Service(s)	PipeBloc PCP Ref	Classification
PE Pipe 32mm Ø, 2.9mm wall thickness	32mm	EI 60 U/C
PE Pipe 40mm Ø, 2.9mm wall thickness	40mm	
PE Pipe 50mm Ø, 2.9mm wall thickness	50mm	
PE Pipe 55mm Ø, 2.9-4.4mm wall thickness	55mm	
PE Pipe 63mm Ø, 2.9-4.4mm wall thickness	63mm	
PE Pipe 75mm Ø, 2.8-6.7mm wall thickness	75mm	
PE Pipe 82mm Ø, 2.8-6.7mm wall thickness	82mm	
PE Pipe 90mm Ø, 2.7-10mm wall thickness	90mm	
PE Pipe 100mm Ø, 2.7-10mm wall thickness	100mm	
PE Pipe 110mm Ø, 2.7-10mm wall thickness	110mm	
PE Pipe 125mm Ø, 3.1mm wall thickness	125mm	
PE Pipe 140mm Ø, 3.9-5.8mm wall thickness	140mm	
PE Pipe 160mm Ø, 4.9-9.5mm wall thickness	160mm	

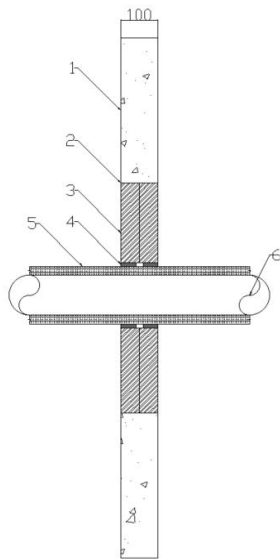


Appendix UL-EU CERTIFICATE

Certificate No. UL-EU-00771-CPR
 Page 39/157
 Date of Issue 2015-04-19

Double Layer Stopseal Fire Batt 50mm, Insulated Plastic Pipes

Max Aperture 730mm Wide x 1200mm High
 (Penetrations positioned as per option 1 or 2 below, 100mm distance between services and 50mm to edge of seal)



Key

1. Supporting construction
2. Pyrocoustic Sealant
3. Stopseal Batt
4. PipeBloc EL / PipeBloc PWP
5. Insulation
6. Penetration Service

Service(s)	PipeBloc EL / PipeBloc PWP Ref	Classification
PVC Pipe 40mm Ø, 1.9mm wall thickness. 25 mm thick Kingspan Kooltherm FM ³ insulation (C/S)	3 x 2mm thickness	E 120 U/C EI 90 U/C
PVC Pipe 40mm Ø, 3mm wall thickness. 15 mm thick Kingspan Kooltherm FM ³ insulation (C/S)	3 x 2mm thickness	
PVC Pipe 110mm Ø, 4.2mm wall thickness. 25 mm thick Kingspan Kooltherm FM ³ insulation (C/S)	5 x 2mm thickness	EI 120 U/C
PVC Pipe 110mm Ø, 6.6mm wall thickness. 20 mm thick Kingspan Kooltherm FM ³ insulation (C/S)	5 x 2mm thickness	E 120 U/C EI 90 U/C
PVC Pipe 40mm Ø, 1.9mm wall thickness. 32 mm thick Armacell Armaflex Class O ² (C/S)	3 x 2mm thickness	E 120 U/C EI 90 U/C
PVC Pipe 40mm Ø, 3mm wall thickness. 9 mm thick Armacell Armaflex Class O ² (C/S)	3 x 2mm thickness	
PVC Pipe 110mm Ø, 4.2mm wall thickness. 32 mm thick Armacell Armaflex Class O ² (C/S)	5 x 2mm thickness	EI 120 U/C
PVC Pipe 110mm Ø, 6.6mm wall thickness. 13 mm thick Armacell Armaflex Class O ² (C/S)	5 x 2mm thickness	E 120 U/C EI 90 U/C

¹PipeBloc EL / PipeBloc PWP secured internally within both faces of the Stopseal Fire Batt

²Or equivalent elastomeric pipe insulation classified BL – s2, d0 or better to EN 13501-1

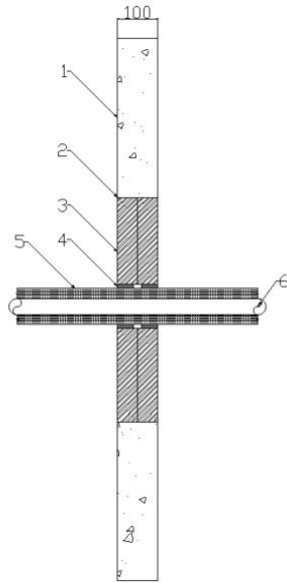
³Or equivalent Phenolic foam pipe insulation classified BL – s1, d0 or better to EN 13501-1



Appendix UL-EU CERTIFICATE

Certificate No. UL-EU-00771-CPR
 Page 40/157
 Date of Issue 2015-04-19

Max Aperture 2600mm Wide x 2600mm High
 (Penetrations positioned as per option 1 or 2 below, 100mm distance between services and 50mm to edge of seal)



- Key
1. Supporting construction
 2. Pyrocoustic Sealant
 3. Stopseal Batt
 4. PipeBloc EL / PipeBloc PWP
 5. Insulation
 6. Penetration Service

Service(s)	PipeBloc EL / PipeBloc PWP Ref	Classification
PVC Pipe 40mm Ø, 1.9mm wall thickness. 25 mm thick Kingspan Kooltherm FM ³ insulation ³ (C/S)	3 x 2mm thickness	EI 60 U/C
PVC Pipe 40mm Ø, 3mm wall thickness. 15 mm thick Kingspan Kooltherm FM ³ insulation (C/S)	3 x 2mm thickness	
PVC Pipe 110mm Ø, 4.2mm wall thickness. 25 mm thick Kingspan Kooltherm FM ³ insulation (C/S)	5 x 2mm thickness	EI 60 U/C
PVC Pipe 110mm Ø, 6.6mm wall thickness. 20 mm thick Kingspan Kooltherm FM ³ insulation (C/S)	5 x 2mm thickness	EI 60 U/C
PVC Pipe 40mm Ø, 1.9mm wall thickness. 32 mm thick Armacell Armaflex Class O ² (C/S)	3 x 2mm thickness	EI 60 U/C
PVC Pipe 40mm Ø, 3mm wall thickness. 9 mm thick Armacell Armaflex Class O ² (C/S)	3 x 2mm thickness	
PVC Pipe 110mm Ø, 4.2mm wall thickness. 32 mm thick Armacell Armaflex Class O ² (C/S)	5 x 2mm thickness	EI 60 U/C
PVC Pipe 110mm Ø, 6.6mm wall thickness. 13 mm thick Armacell Armaflex Class O ² (C/S)	5 x 2mm thickness	EI 60 U/C

¹PipeBloc EL / PipeBloc PWP secured internally within both faces of the Stopseal Fire Batt

²Or equivalent elastomeric pipe insulation classified BL – s2, d0 or better to EN 13501-1

³Or equivalent Phenolic foam pipe insulation classified BL – s1, d0 or better to EN 13501-1

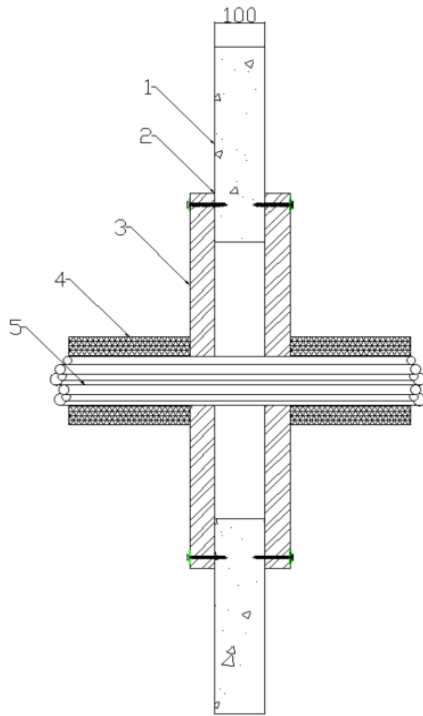


Appendix UL-EU CERTIFICATE

Certificate No. UL-EU-00771-CPR
 Page 41/157
 Date of Issue 2015-04-19

Single Layer Patress, Stopseal Fire Batt 50mm, Electrical Cables and Conduits

Max Aperture 750mm Wide x 1200mm High



- Key
1. Supporting construction
 2. Pyrocoustic Sealant
 3. Stopseal Batt
 4. Insulation
 5. Penetration Service

Service(s)	Classification
² Electrical cables upto 80mm Ø	EI 120
² Cable Trays and Ladders	
² 100 mm diameter bundle telecommunication cable type "F"	
² Unsheathed electrical cables up to 24mm Ø	
² Steel or Copper Conduits up to 16mm Ø	
² Plastic conduits up to 16mm Ø	

¹Patress installation of Stopseal Coated Batt. The Batts are installed in horizontal rows and fixed in minimum two vertical edges. Overlap of batts to substrate min 100mm. Batts mechanically fixed to substrate with min 6mm x 80mm steel screws and steel retaining washer. Fixings installed at max 300mm centres

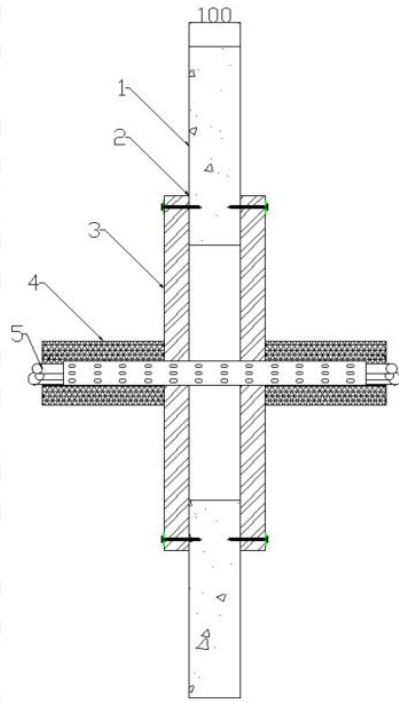
²Cables and cable trays wrapped with a single layer of 40mm thick, 40kg/m³ Stonewool (L/I 300mm)



Appendix UL-EU CERTIFICATE

Certificate No. UL-EU-00771-CPR
 Page 42/157
 Date of Issue 2015-04-19

Max Aperture 2600mm Wide x 2600mm High



Key

1. Supporting construction
2. Pyrocoustic Sealant
3. Stopseal Batt
4. Insulation
5. Penetration Service

Service(s)

Classification

²Electrical cables upto 80mm Ø

²Cable Trays and Ladders

²100 mm diameter bundle telecommunication cable type "F"

²Unsheathed electrical cables up to 24mm Ø

²Steel or Copper Conduits up to 16mm Ø

²Plastic conduits up to 16mm Ø

EI 60

¹Patress installation of Stopseal Coated Batt. The Batts are installed in horizontal rows and fixed in minimum two vertical edges. Overlap of batts to substrate min 100mm. Batts mechanically fixed to substrate with min 6mm x 80mm steel screws and steel retaining washer. Fixings installed at max 300mm centres

²Cables and cable trays wrapped with a single layer of 40mm thick, 40kg/m³ Stonewool (L/I 300mm)



Appendix UL-EU CERTIFICATE

Certificate No. UL-EU-00771-CPR
 Page 43/157
 Date of Issue 2015-04-19

Single Layer Patress, Stopseal Fire Batt 50mm, Insulated Metallic Pipes

Max Aperture 750mm Wide x 1200mm High	
	<p><u>Key</u></p> <ol style="list-style-type: none"> 1. Supporting construction 2. Pyrocoustic Sealant 3. Stopseal Batt 4. PipeBloc EL / PipeBloc PWP 5. Insulation 6. Penetration Service
Service(s)	Classification
² Steel or Copper Pipe 42-159mm Ø, 1.2mm – 14.2mm wall thickness. 13-25mm thick K Flex ST Insulation ³ (C/S)	E 120 C/U EI 60 C/U
² Steel or Copper Pipe 42-159mm Ø, 1.2 – 14.2mm wall thickness. 25mm thick K Flex ST insulation ³ (C/S)	E 120 C/U EI 90 C/U
² Steel or Copper Pipe 42mm Ø, 1 – 14.2mm wall thickness. 25-13mm thick K Flex ST insulation ³ (C/S)	EI 120 C/U
² Steel or Copper Pipe 42-108mm Ø, 1.2 – 14.2mm wall thickness. 25 -40mm thick Kingspan Kooltherm FM insulation ⁴ (C/S)	E 120 C/U EI 90 C/U
² Steel or Copper Pipe 42mm Ø, 1-14.2mm wall thickness. 25 -40mm thick Kingspan Kooltherm FM insulation ⁴ (C/S)	EI 120 C/U
² Steel or Copper Pipe 42mm Ø, 1.2-14.2mm wall thickness. 50mm thick glassfibre insulation min. 30kg/m ³ (C/S)	E 120 C/U EI 90 C/U

¹Patress installation of Stopseal Coated Batt. The Batts are installed in horizontal rows and fixed in minimum two vertical edges. Overlap of batts to substrate min 100mm. Batts mechanically fixed to substrate with min 6mm x 80mm steel screws and steel retaining washer. Fixings installed at max 300mm centres.

² 2 x 2mm thick layers of PipeBloc EL / PipeBloc PWP installed both sides of the substrate within the patress installation

³Or equivalent elastomeric pipe insulation classified BL – s2, d0 or better to EN 13501-1

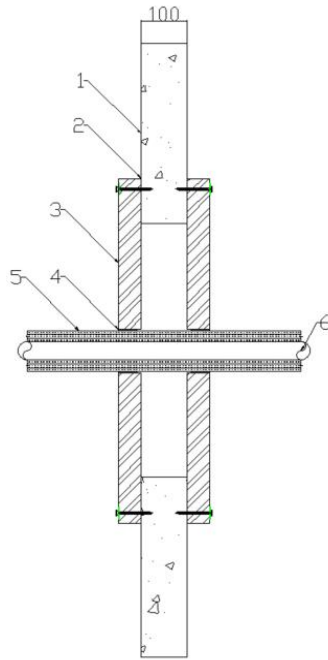
⁴Or equivalent Phenolic foam pipe insulation classified BL – s1, d0 or better to EN 13501-1



Appendix UL-EU CERTIFICATE

Certificate No. UL-EU-00771-CPR
 Page 44/157
 Date of Issue 2015-04-19

Max Aperture 2600mm Wide x 2600mm High



Key

1. Supporting construction
2. Pyrocoustic Sealant
3. Stopseal Batt
4. PipeBloc EL / PipeBloc PWP
5. Insulation
6. Penetration Service

Service(s)

Classification

²Steel or Copper Pipe 42-159mm Ø, 1.2mm – 14.2mm wall thickness. 13-25mm thick K Flex ST³ Insulation (C/S)

²Steel or Copper Pipe 42-159mm Ø, 1.2 – 14.2mm wall thickness. 25mm thick K Flex ST³ insulation (C/S)

²Steel or Copper Pipe 42mm Ø, 1 – 14.2mm wall thickness. 25-13mm thick K Flex ST³ insulation (C/S)

²Steel or Copper Pipe 42-108mm Ø, 1.2 – 14.2mm wall thickness. 25 -40mm thick Kingspan Kooltherm FM⁴ insulation (C/S)

²Steel or Copper Pipe 42mm Ø, 1-14.2mm wall thickness. 25 -40mm thick Kingspan Kooltherm FM⁴ insulation (C/S)

²Steel or Copper Pipe 42mm Ø, 1.2-14.2mm wall thickness. 50mm thick glassfibre insulation min. 30kg/m³ (C/S)

EI 60 C/U

¹Patress installation of Stopseal Coated Batt. The Batts are installed in horizontal rows and fixed in minimum two vertical edges. Overlap of batts to substrate min 100mm. Batts mechanically fixed to substrate with min 6mm x 80mm steel screws and steel retaining washer. Fixings installed at max 300mm centres.

² 2 x 2mm thick layers of PipeBloc EL / PipeBloc PWP installed both sides of the substrate within the patress installation

³Or equivalent elastomeric pipe insulation classified BL – s2, d0 or better to EN 13501-1

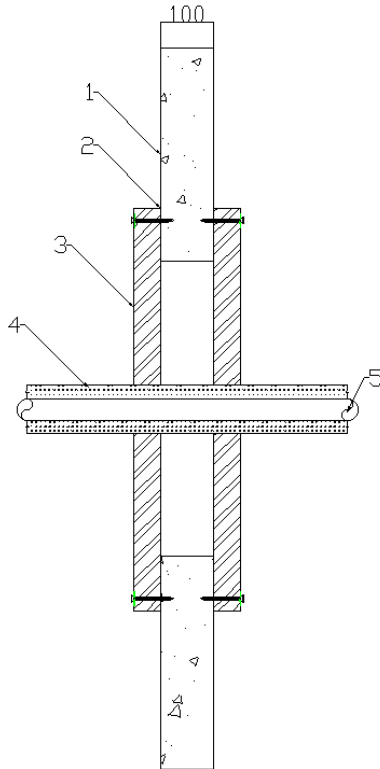
⁴Or equivalent Phenolic foam pipe insulation classified BL – s1, d0 or better to EN 13501-1



Appendix UL-EU CERTIFICATE

Certificate No. UL-EU-00771-CPR
 Page 45/157
 Date of Issue 2015-04-19

Max Aperture 750mm Wide x 1200mm High



- Key**
1. Supporting construction
 2. Pyrocoustic Sealant
 3. Stopseal Batt
 4. Insulation
 5. Penetration Service

Service(s)	Classification
Steel or Copper Pipe 42-159mm Ø, 1.0mm – 14.2mm wall thickness (see graph below). 25mm thick foil faced glassfibre insulation min. 30kg/m ³ (C/S)	E 120 C/U EI 90 C/U
Steel or Copper Pipe 42mm Ø, 1mm – 14.2mm wall thickness. 25mm thick foil faced glassfibre insulation min. 30kg/m ³ (C/S)	EI 120 C/U

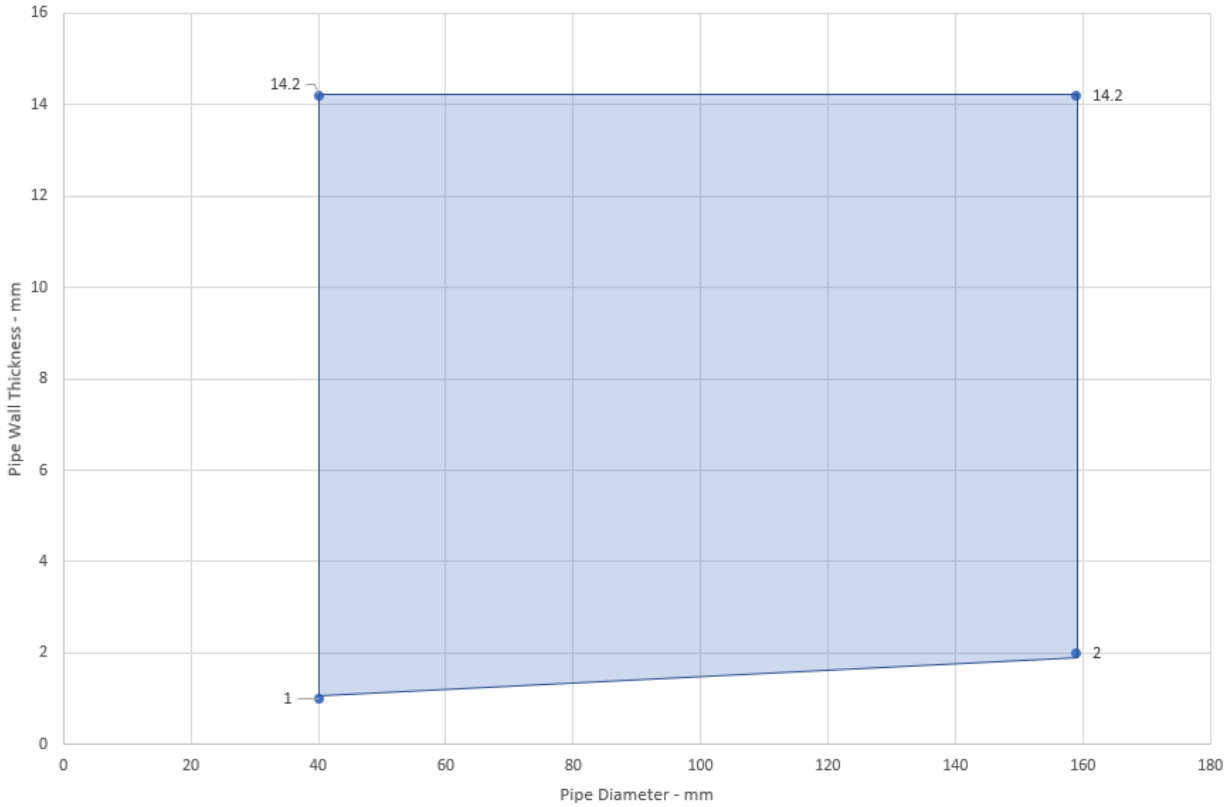
¹Patress installation of Stopseal Coated Batt. The Batts are installed in horizontal rows and fixed in minimum two vertical edges. Overlap of batts to substrate min 100mm. Batts mechanically fixed to substrate with min 6mm x 80mm steel screws and steel retaining washer. Fixings installed at max 300mm centres.



Appendix UL-EU CERTIFICATE

Certificate No. UL-EU-00771-CPR
Page 46/157
Date of Issue 2015-04-19

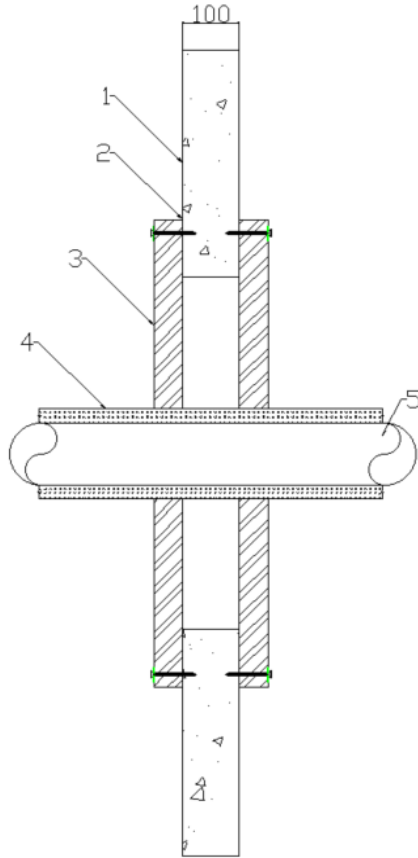
Permitted Pipe Diameter vs Pipe Wall Thickness



Appendix UL-EU CERTIFICATE

Certificate No. UL-EU-00771-CPR
 Page 47/157
 Date of Issue 2015-04-19

Max Aperture 2600mm Wide x 2600mm High



Key

1. Supporting construction
2. Pyrocoustic Sealant
3. Stopseal Batt
4. Insulation
5. Penetration Service

Service(s)

Classification

Steel or Copper Pipe 42-159mm Ø, 1.0mm – 14.2mm wall thickness (see graph below). 25mm thick foil faced glassfibre insulation min. 30kg/m ³ (C/S)	EI 60 C/U
Steel or Copper Pipe 42mm Ø, 1mm – 14.2mm wall thickness. 25mm thick foil faced glassfibre insulation min. 30kg/m ³ (C/S)	EI 60 C/U

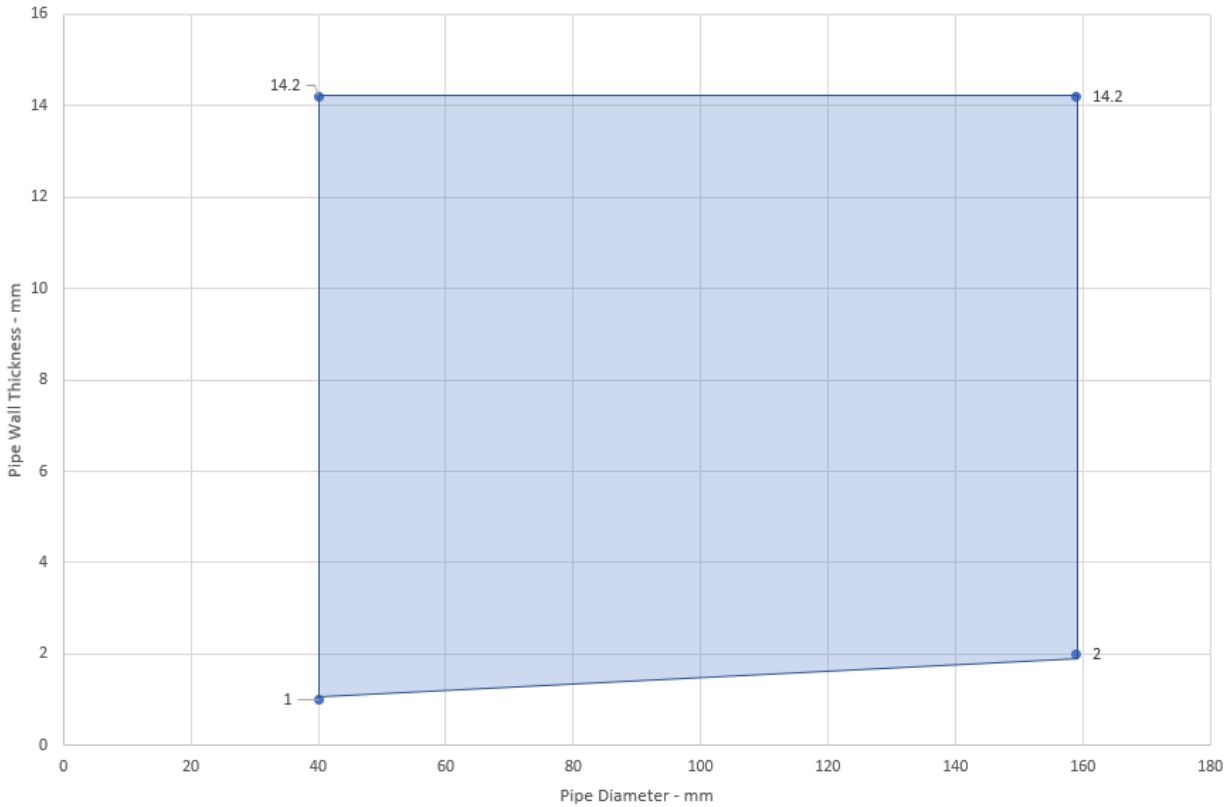
¹Patress installation of Stopseal Coated Batt. The Batts are installed in horizontal rows and fixed in minimum two vertical edges. Overlap of batts to substrate min 100mm. Batts mechanically fixed to substrate with min 6mm x 80mm steel screws and steel retaining washer. Fixings installed at max 300mm centres.



Appendix UL-EU CERTIFICATE

Certificate No. UL-EU-00771-CPR
Page 48/157
Date of Issue 2015-04-19

Permitted Pipe Diameter vs Pipe Wall Thickness



Appendix UL-EU CERTIFICATE

Certificate No. UL-EU-00771-CPR
 Page 49/157
 Date of Issue 2015-04-19

Single Layer Patress, Stopseal Fire Batt 50mm, Plastic Pipes

Max Aperture 730mm Wide x 1200mm High (Penetrations positioned as per option 1 or 2 below, 0mm distance between services and 50mm to edge of seal)		
	<p><u>Key</u></p> <ol style="list-style-type: none"> 1. Supporting construction 2. Pyroacoustic Sealant 3. Stopseal Batt 4. PipeBloc PCP 5. Penetration Service 	
Service(s)	PipeBloc PCP Ref	Classification
PVC Pipe 32mm Ø, 1.8mm wall thickness	32mm	EI 120 U/C
PVC Pipe 40mm Ø, 1.8mm wall thickness	40mm	
PVC Pipe 50mm Ø, 1.8mm wall thickness	50mm	
PVC Pipe 55mm Ø, 1.8-2.3mm wall thickness	55mm	
PVC Pipe 63mm Ø, 2.3-3mm wall thickness	63mm	
PVC Pipe 75mm Ø, 3.1-4.8mm wall thickness	75mm	
PVC Pipe 82mm Ø, 3.1-4.8mm wall thickness	82mm	
PVC Pipe 90mm Ø, 4.2-7.4mm wall thickness	90mm	
PVC Pipe 100mm Ø, 4.2-7.4mm wall thickness	100mm	
PVC Pipe 110mm Ø, 4.2-7.4mm wall thickness	110mm	
PVC Pipe 125mm Ø, 6mm wall thickness	125mm	
PVC Pipe 140mm Ø, 6.1-7.5mm wall thickness	140mm	
PVC Pipe 160mm Ø, 6.2-9.5mm wall thickness	160mm	

¹Patress installation of Stopseal Coated Batt. The Batts are installed in horizontal rows and fixed in minimum two vertical edges. Overlap of batts to substrate min 100mm. Batts mechanically fixed to substrate with min 6mm x 80mm steel screws and steel retaining washer. Fixings installed at max 300mm centres.

Collars secured both faces of the substrate utilising 80mm long pig tail screw through to the Stopseal Fire Batt

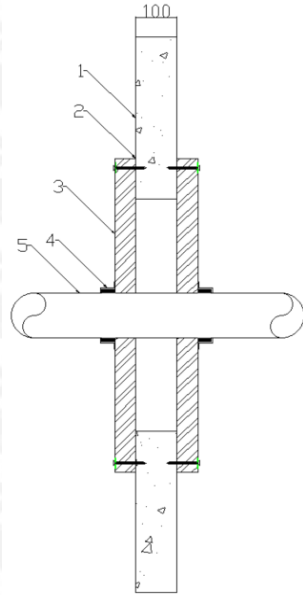


Appendix UL-EU CERTIFICATE

Certificate No. UL-EU-00771-CPR
 Page 50/157
 Date of Issue 2015-04-19

Max Aperture 2600mm Wide x 2600mm High

(Penetrations positioned as per option 1 or 2 below, 0mm distance between services and 50mm to edge of seal)



Key

1. Supporting construction
2. Pyrocoustic Sealant
3. Stopseal Batt
4. PipeBloc PCP
5. Penetration Service

Service(s)	PipeBloc PCP Ref	Classification
PVC Pipe 32mm Ø, 1.8mm wall thickness	32mm	EI 60 U/C
PVC Pipe 40mm Ø, 1.8mm wall thickness	40mm	
PVC Pipe 50mm Ø, 1.8mm wall thickness	50mm	
PVC Pipe 55mm Ø, 1.8-2.3mm wall thickness	55mm	
PVC Pipe 63mm Ø, 2.3-3mm wall thickness	63mm	
PVC Pipe 75mm Ø, 3.1-4.8mm wall thickness	75mm	
PVC Pipe 82mm Ø, 3.1-4.8mm wall thickness	82mm	
PVC Pipe 90mm Ø, 4.2-7.4mm wall thickness	90mm	
PVC Pipe 100mm Ø, 4.2-7.4mm wall thickness	100mm	
PVC Pipe 110mm Ø, 4.2-7.4mm wall thickness	110mm	
PVC Pipe 125mm Ø, 6mm wall thickness	125mm	
PVC Pipe 140mm Ø, 6.1-7.5mm wall thickness	140mm	
PVC Pipe 160mm Ø, 6.2-9.5mm wall thickness	160mm	

¹Patress installation of Stopseal Coated Batt. The Batts are installed in horizontal rows and fixed in minimum two vertical edges. Overlap of batts to substrate min 100mm. Batts mechanically fixed to substrate with min 6mm x 80mm steel screws and steel retaining washer. Fixings installed at max 300mm centres.

Collars secured both faces of the substrate utilising 80mm long pig tail screw through to the Stopseal Fire Batt

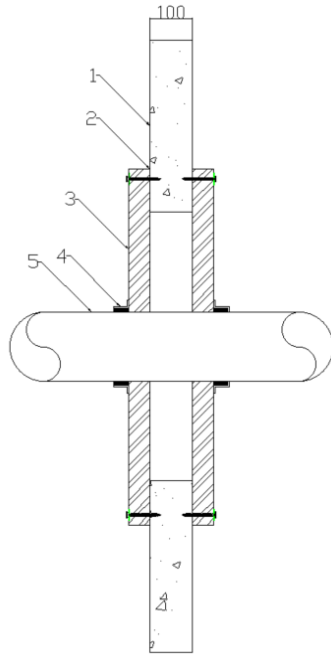


Appendix UL-EU CERTIFICATE

Certificate No. UL-EU-00771-CPR
 Page 51/157
 Date of Issue 2015-04-19

Max Aperture 730mm Wide x 1200mm High

(Penetrations positioned as per option 1 or 2 below, 0mm distance between services and 50mm to edge of seal)



Key

1. Supporting construction
2. Pyrocoustic Sealant
3. Stopseal Batt
4. PipeBloc PCP
5. Penetration Service

Service(s)	PipeBloc PCP Ref	Classification
PP Pipe 32mm Ø, 2.9mm wall thickness	32mm	EI 120 U/C
PP Pipe 40mm Ø, 2.9mm wall thickness	40mm	
PP Pipe 50mm Ø, 2.9mm wall thickness	50mm	
PP Pipe 55mm Ø, 2.9-4.4mm wall thickness	55mm	
PP Pipe 63mm Ø, 2.9-4.4mm wall thickness	63mm	
PP Pipe 75mm Ø, 2.8-6.7mm wall thickness	75mm	
PP Pipe 82mm Ø, 2.8-6.7mm wall thickness	82mm	
PP Pipe 90mm Ø, 2.7-10mm wall thickness	90mm	
PP Pipe 100mm Ø, 2.7-10mm wall thickness	100mm	
PP Pipe 110mm Ø, 2.7-10mm wall thickness	110mm	
PP Pipe 125mm Ø, 3.1mm wall thickness	125mm	
PP Pipe 140mm Ø, 3.5-8mm wall thickness	140mm	
PP Pipe 160mm Ø, 4-14.6mm wall thickness	160mm	

¹Patent installation of Stopseal Coated Batt. The Batts are installed in horizontal rows and fixed in minimum two vertical edges. Overlap of batts to substrate min 100mm. Batts mechanically fixed to substrate with min 6mm x 80mm steel screws and steel retaining washer. Fixings installed at max 300mm centres.

Collars secured both faces of the substrate utilising 80mm long pig tail screw through to the Stopseal Fire Batt

27-CP-F0855 Issue: 3.1

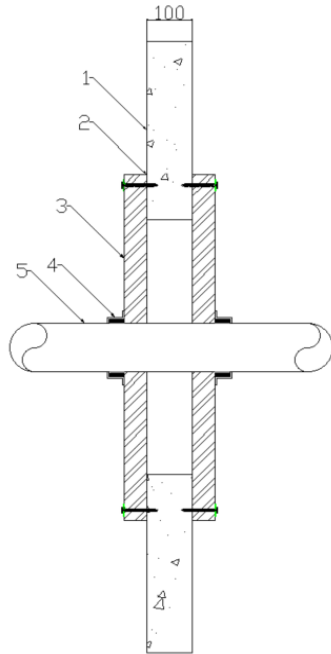


Appendix UL-EU CERTIFICATE

Certificate No. UL-EU-00771-CPR
 Page 52/157
 Date of Issue 2015-04-19

Max Aperture 2600mm Wide x 2600mm High

(Penetrations positioned as per option 1 or 2 below, 0mm distance between services and 50mm to edge of seal)



Key

1. Supporting construction
2. Pyrocoustic Sealant
3. Stopseal Batt
4. PipeBloc PCP
5. Penetration Service

Service(s)	PipeBloc PCP Ref	Classification
PP Pipe 32mm Ø, 2.9mm wall thickness	32mm	EI 60 U/C
PP Pipe 40mm Ø, 2.9mm wall thickness	40mm	
PP Pipe 50mm Ø, 2.9mm wall thickness	50mm	
PP Pipe 55mm Ø, 2.9-4.4mm wall thickness	55mm	
PP Pipe 63mm Ø, 2.9-4.4mm wall thickness	63mm	
PP Pipe 75mm Ø, 2.8-6.7mm wall thickness	75mm	
PP Pipe 82mm Ø, 2.8-6.7mm wall thickness	82mm	
PP Pipe 90mm Ø, 2.7-10mm wall thickness	90mm	
PP Pipe 100mm Ø, 2.7-10mm wall thickness	100mm	
PP Pipe 110mm Ø, 2.7-10mm wall thickness	110mm	
PP Pipe 125mm Ø, 3.1mm wall thickness	125mm	
PP Pipe 140mm Ø, 3.5-8mm wall thickness	140mm	
PP Pipe 160mm Ø, 4-14.6mm wall thickness	160mm	

¹Patress installation of Stopseal Coated Batt. The Batts are installed in horizontal rows and fixed in minimum two vertical edges. Overlap of batts to substrate min 100mm. Batts mechanically fixed to substrate with min 6mm x 80mm steel screws and steel retaining washer. Fixings installed at max 300mm centres.

Collars secured both faces of the substrate utilising 80mm long pig tail screw through to the Stopseal Fire Batt

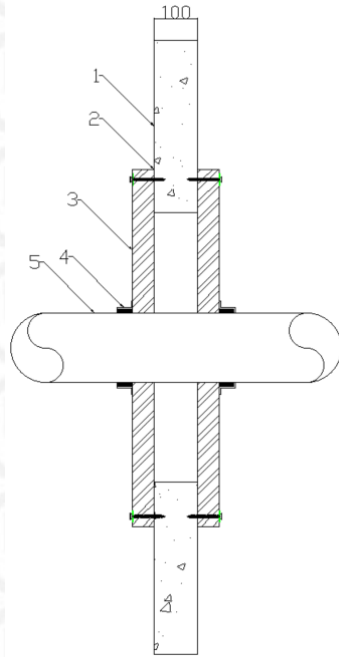


Appendix UL-EU CERTIFICATE

Certificate No. UL-EU-00771-CPR
 Page 53/157
 Date of Issue 2015-04-19

Max Aperture 730mm Wide x 1200mm High

(Penetrations positioned as per option 1 or 2 below, 0mm distance between services and 50mm to edge of seal)



Key

1. Supporting construction
2. Pyrocoustic Sealant
3. Stopseal Batt
4. PipeBloc PCP
5. Penetration Service

Service(s)	PipeBloc PCP Ref	Classification
PE Pipe 32mm Ø, 2.9mm wall thickness	32mm	EI 120 U/C
PE Pipe 40mm Ø, 2.9mm wall thickness	40mm	
PE Pipe 50mm Ø, 2.9mm wall thickness	50mm	
PE Pipe 55mm Ø, 2.9-4.4mm wall thickness	55mm	
PE Pipe 63mm Ø, 2.9-4.4mm wall thickness	63mm	
PE Pipe 75mm Ø, 2.8-6.7mm wall thickness	75mm	
PE Pipe 82mm Ø, 2.8-6.7mm wall thickness	82mm	
PE Pipe 90mm Ø, 2.7-10mm wall thickness	90mm	
PE Pipe 100mm Ø, 2.7-10mm wall thickness	100mm	
PE Pipe 110mm Ø, 2.7-10mm wall thickness	110mm	
PE Pipe 125mm Ø, 3.1mm wall thickness	125mm	
PE Pipe 140mm Ø, 3.9-5.8mm wall thickness	140mm	
PE Pipe 160mm Ø, 4.9-9.5mm wall thickness	160mm	

¹Patress installation of Stopseal Coated Batt. The Batts are installed in horizontal rows and fixed in minimum two vertical edges. Overlap of batts to substrate min 100mm. Batts mechanically fixed to substrate with min 6mm x 80mm steel screws and steel retaining washer. Fixings installed at max 300mm centres.

Collars secured both faces of the substrate utilising 80mm long pig tail screw through to the Stopseal Fire Batt

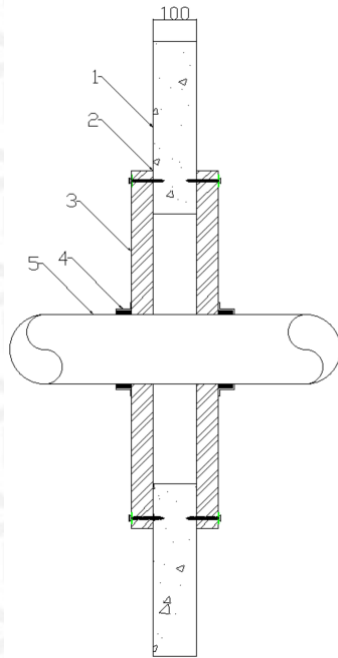
27-CP-F0855 Issue: 3.1



Appendix UL-EU CERTIFICATE

Certificate No. UL-EU-00771-CPR
 Page 54/157
 Date of Issue 2015-04-19

Max Aperture 2600mm Wide x 2600mm High
 (Penetrations positioned as per option 1 or 2 below, 0mm distance between services and 50mm to edge of seal)



- Key**
1. Supporting construction
 2. Pyrocoustic Sealant
 3. Stopseal Batt
 4. PipeBloc PCP
 5. Penetration Service

Service(s)	PipeBloc PCP Ref	Classification
PE Pipe 32mm Ø, 2.9mm wall thickness	32mm	EI 60 U/C
PE Pipe 40mm Ø, 2.9mm wall thickness	40mm	
PE Pipe 50mm Ø, 2.9mm wall thickness	50mm	
PE Pipe 55mm Ø, 2.9-4.4mm wall thickness	55mm	
PE Pipe 63mm Ø, 2.9-4.4mm wall thickness	63mm	
PE Pipe 75mm Ø, 2.8-6.7mm wall thickness	75mm	
PE Pipe 82mm Ø, 2.8-6.7mm wall thickness	82mm	
PE Pipe 90mm Ø, 2.7-10mm wall thickness	90mm	
PE Pipe 100mm Ø, 2.7-10mm wall thickness	100mm	
PE Pipe 110mm Ø, 2.7-10mm wall thickness	110mm	
PE Pipe 125mm Ø, 3.1mm wall thickness	125mm	
PE Pipe 140mm Ø, 3.9-5.8mm wall thickness	140mm	
PE Pipe 160mm Ø, 4.9-9.5mm wall thickness	160mm	

¹Patress installation of Stopseal Coated Batt. The Batts are installed in horizontal rows and fixed in minimum two vertical edges. Overlap of batts to substrate min 100mm. Batts mechanically fixed to substrate with min 6mm x 80mm steel screws and steel retaining washer. Fixings installed at max 300mm centres.

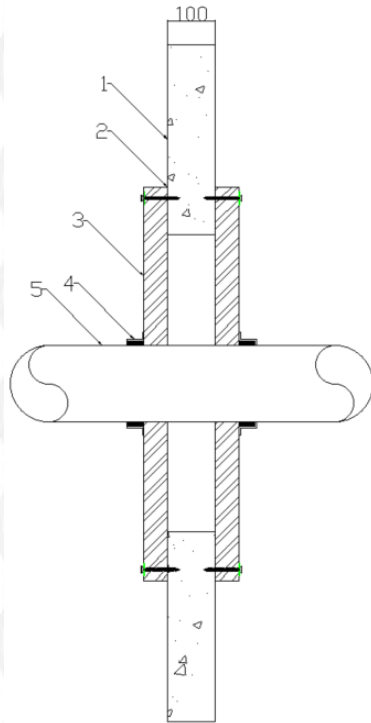
Collars secured both faces of the substrate utilising 80mm long pig tail screw through to the Stopseal Fire Batt



Appendix UL-EU CERTIFICATE

Certificate No. UL-EU-00771-CPR
 Page 55/157
 Date of Issue 2015-04-19

Max Aperture 2600mm Wide x 2600mm High
 (Penetrations positioned as per option 1 or 2 below, 0mm distance between services and 50mm to edge of seal)



Key

1. Supporting construction
2. Pyroacoustic Sealant
3. Stopseal Batt
4. PipeBloc PCP
5. Penetration Service

Scope and Classifications as below

Intumescent Thickness	
Pipe Diameter	Intumescent Material
ø 32 mm - ø 50 mm	40 mm (W) x 2 mm (T)
ø 51 mm - ø 82 mm	40 mm (W) x 4 mm (T)
ø 83 mm - ø 115 mm	40 mm (W) x 6 mm (T)
ø 116 mm - ø 160 mm	40 mm (W) x 8 mm (T)
ø 161 mm - ø 200 mm	40 mm (W) x 10 mm (T)
ø 201 mm - ø 250 mm	40 mm (W) x 12 mm (T)

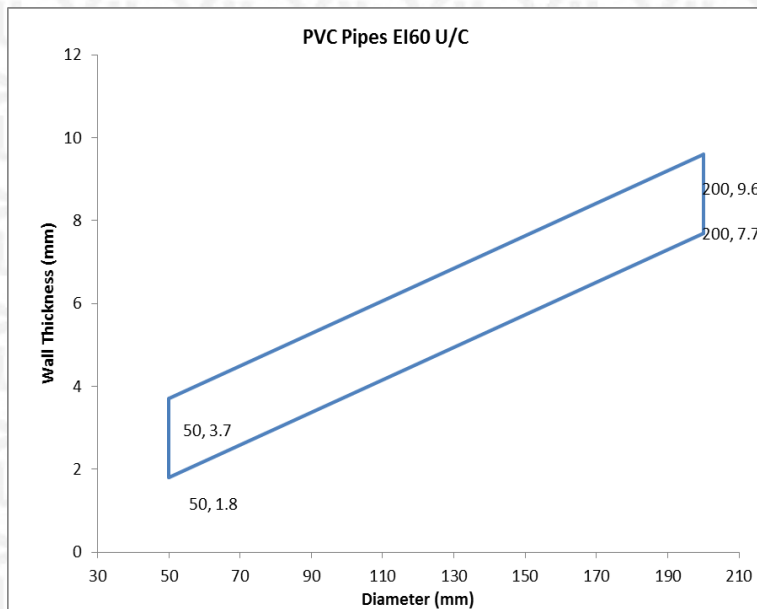
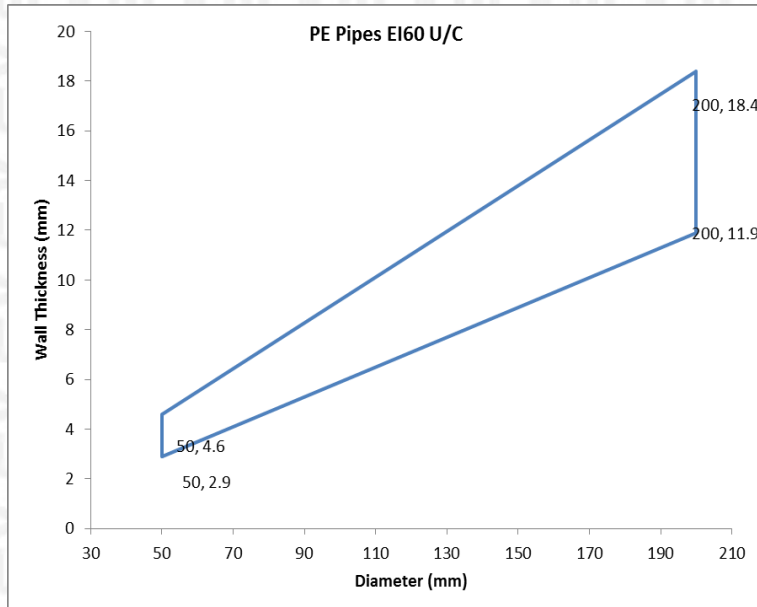
¹Patress installation of Stopseal Coated Batt. The Batts are installed in horizontal rows and fixed in minimum two vertical edges. Overlap of batts to substrate min 100mm. Batts mechanically fixed to substrate with min 6mm x 80mm steel screws and steel retaining washer. Fixings installed at max 300mm centres.

Collars secured both faces of the substrate utilising 80mm long pig tail screw through to the Stopseal Fire Batt



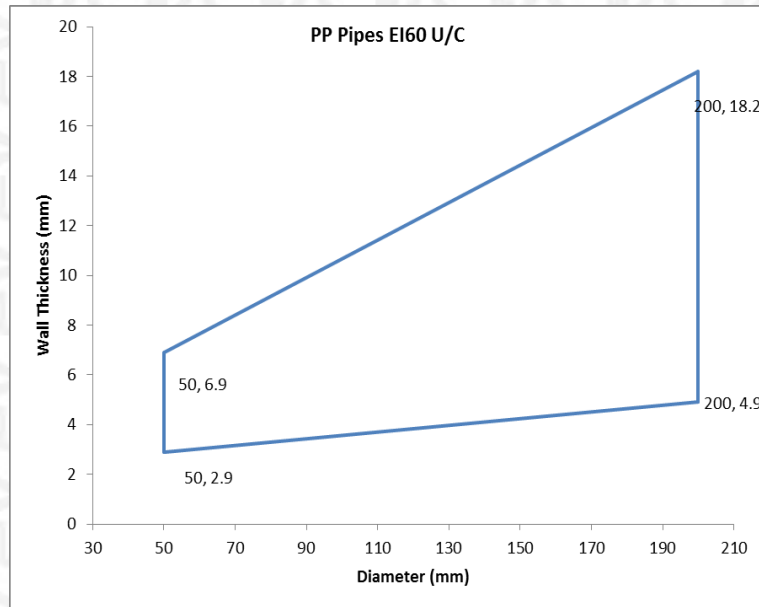
Appendix UL-EU CERTIFICATE

Certificate No. UL-EU-00771-CPR
Page 56/157
Date of Issue 2015-04-19



Appendix UL-EU CERTIFICATE

Certificate No. UL-EU-00771-CPR
Page 57/157
Date of Issue 2015-04-19



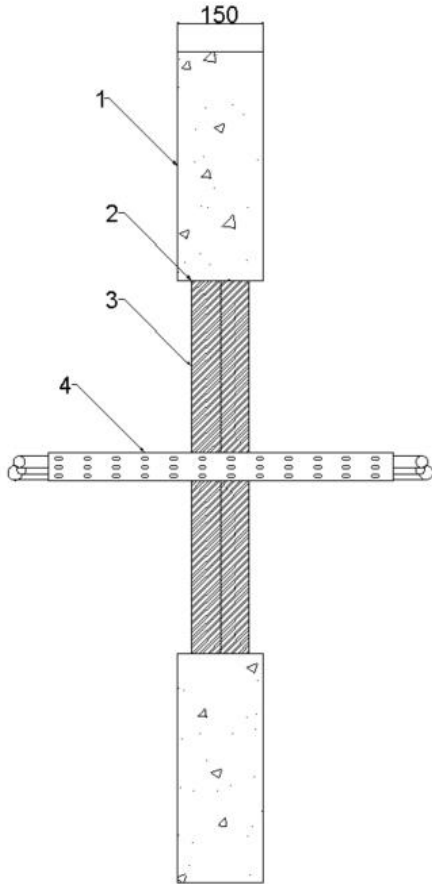
Appendix UL-EU CERTIFICATE

Certificate No. UL-EU-00771-CPR
 Page 58/157
 Date of Issue 2015-04-19

Rigid Walls Minimum Thickness 150mm

Double Layer, Stopseal Fire Batt 50mm, Electrical Cables

Max Aperture 750mm Wide x 1100mm High



Key

1. Supporting construction
2. Pyrocoustic Sealant
3. Stopseal Batt
4. Penetration Service

Service(s)

Classification

Electrical cables up to 0-21mm Ø

E120
EI90

Cable Tray

EI 60

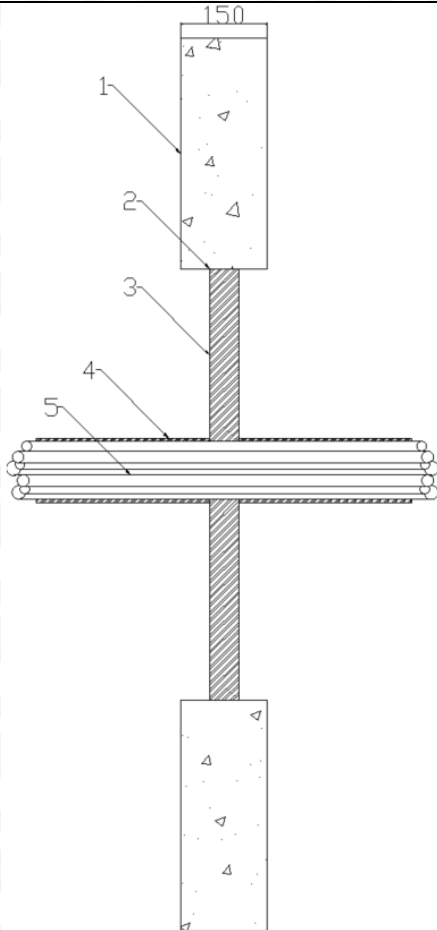


Appendix UL-EU CERTIFICATE

Certificate No. UL-EU-00771-CPR
 Page 59/157
 Date of Issue 2015-04-19

Single Layer, Stopseal Fire Batt 50mm, Electrical Cables

Max Aperture 750mm Wide x 1100mm High



Key

1. Supporting construction
2. Pyrocoustic Sealant
3. Stopseal Batt
4. Insulation
5. Penetration Service

Service(s)	Classification
¹ Electrical cables up to 80mm Ø	EI 60
¹ Cable Trays and Ladders	EI 60
¹ 100 mm diameter bundle telecommunication cable type "F"	EI 60
¹ Unsheathed electrical cables up to 24mmØ	EI 60

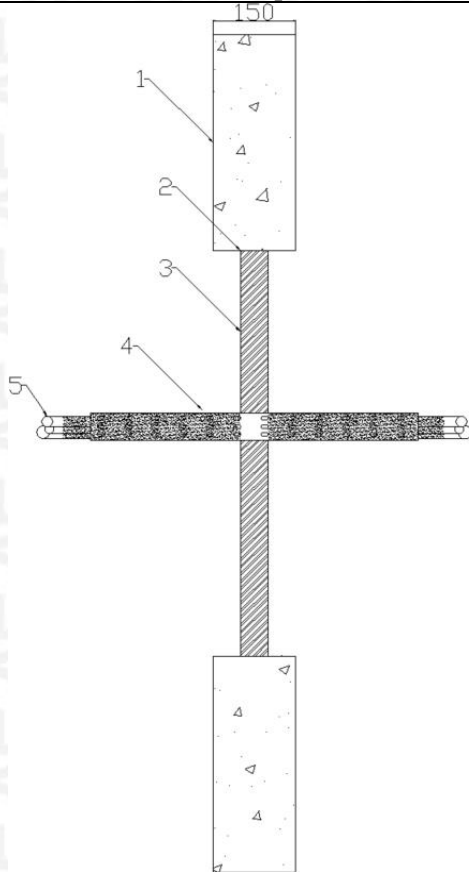
¹Cables and cable trays wrapped with a single layer of 6mm thick FSi Thermal Defense Wrap (L/I 300mm)



Appendix UL-EU CERTIFICATE

Certificate No. UL-EU-00771-CPR
 Page 60/157
 Date of Issue 2015-04-19

Max Aperture 750mm Wide x 1100mm High



Key

1. Supporting construction
2. Pyrocoustic Sealant
3. Stopseal Batt
4. Insulation
5. Penetration Service

Penetration Specification

Classification

*500mm perforated cable tray

EI 30

*Electrical cables up to 21mm ϕ

*1 off 'C1' Cable

*1 off 'C2' Cable

*1 off 'C3' Cable

EI 45

*All cables coated with 2mm DFT PST Coating 300mm along the cables both sides of the seal

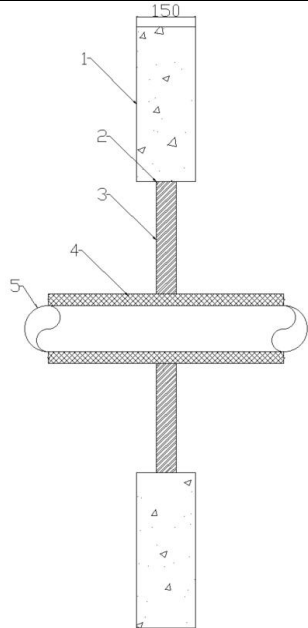


Appendix UL-EU CERTIFICATE

Certificate No. UL-EU-00771-CPR
 Page 61/157
 Date of Issue 2015-04-19

Single Layer, Stopseal Fire Batt 50mm, Insulated Metallic Pipes

Max Aperture 750mm Wide x 1100mm High



Key

1. Supporting construction
2. Pyrocoustic Sealant
3. Stopseal Batt
4. Insulation
5. Penetration Service

Service(s)

Classification

¹ Steel or Copper Pipe 108mm Ø, 1.5mm – 14.2mm Wall Thickness. (C/S) 40mm stone wool insulation (min 140Kg/m ³)	E60 C/U EI45 C/U
Steel or Copper Pipe 42mm Ø, 1.2mm – 14.2mm wall thickness. (L/I 300mm) 40mm stone wool insulation (min 40Kg/m ³)	EI45 C/U
Steel or Copper Pipe 42mm – 159mm Ø, 2mm – 14.2mm wall thickness. (L/I 300mm) 40mm stone wool insulation (min 40Kg/m ³)	E45 C/U EI20 C/U
Steel or Copper Pipe 42mm – 159mm Ø, 2mm – 14.2mm wall thickness. (C/I) 40mm stone wool insulation (min 40Kg/m ³)	E45 C/U EI30 C/U

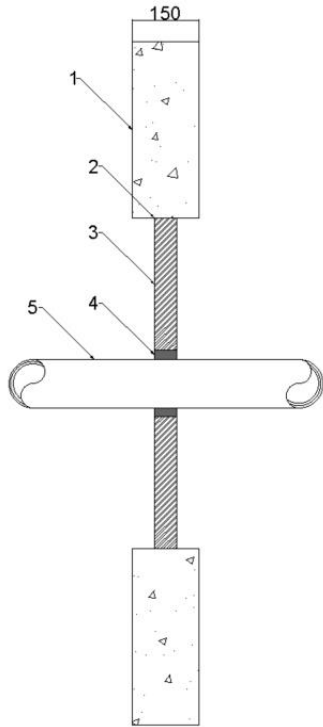


Appendix UL-EU CERTIFICATE

Certificate No. UL-EU-00771-CPR
 Page 62/157
 Date of Issue 2015-04-19

Single Layer, Stopseal Fire Batt 50mm, Plastic Pipes

Max Aperture 750mm Wide x 1100mm High



Key

1. Supporting construction
2. Pyrocoustic Sealant
3. Stopseal Batt
4. Pyropro HPE
5. Penetration Service

Penetration Specification

Classification

Uponor MLC (Multi-Layer Composite) Pipe 40mm ϕ 4mm wall thickness

Uponor MLC (Multi-Layer Composite) Pipe 50mm ϕ 4.5mm wall thickness

Uponor MLC (Multi-Layer Composite) Pipe 63mm ϕ 6mm wall thickness

Uponor MLC (Multi-Layer Composite) Pipe 75mm ϕ 7.5mm wall thickness

Uponor MLC (Multi-Layer Composite) Pipe 90mm ϕ 8.5mm wall thickness

Uponor MLC (Multi-Layer Composite) Pipe 110mm ϕ 10mm wall thickness

E 45 U/C
 EI 30 U/C

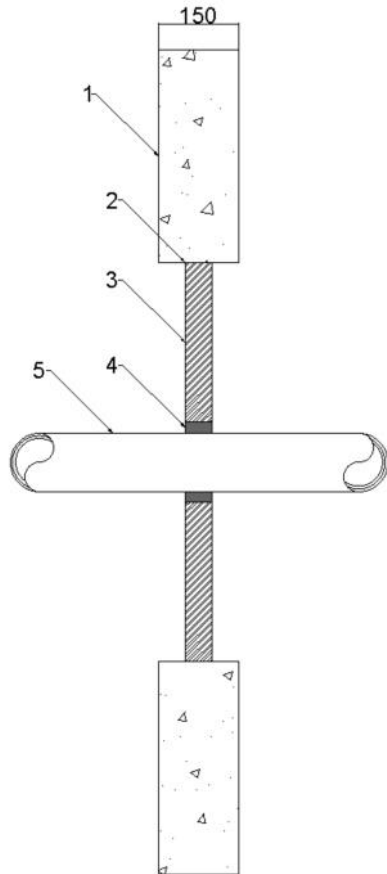
Pyropro HPE 20mm annulus full 50mm depth of the Stopseal Coated Batt



Appendix UL-EU CERTIFICATE

Certificate No. UL-EU-00771-CPR
 Page 63/157
 Date of Issue 2015-04-19

Max Aperture 750mm Wide x 1100mm High



Key

1. Supporting construction
2. Pyrocoustic Sealant
3. Stopseal Batt
4. Pyropro HPE
5. Penetration Service

Penetration Specification

PVC Pipe 50mm ϕ 2.4mm wall thickness

Classification

EI45 U/C

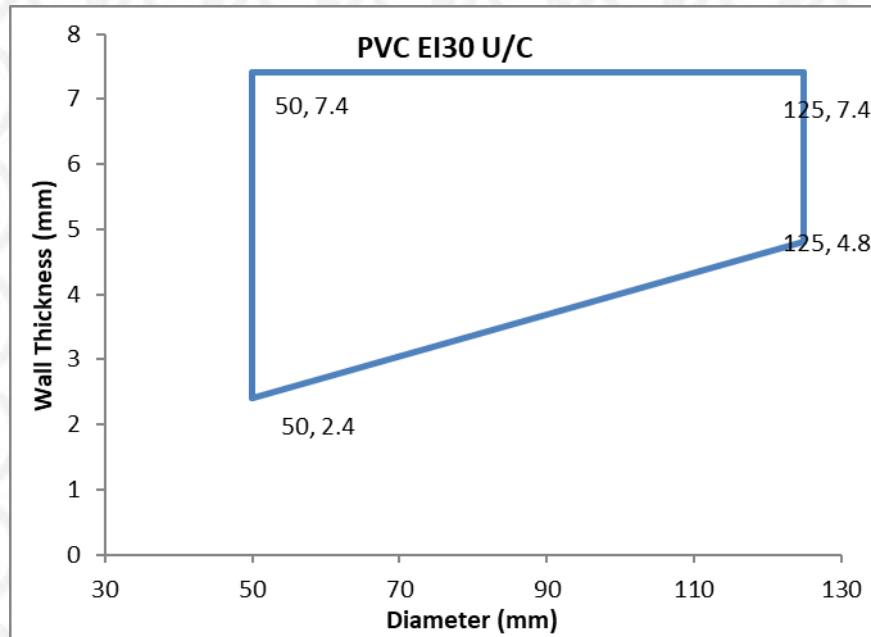
Also scope as per graphs below

Pyropro HPE 20mm annulus full 50mm depth of the Stopseal Coated Batt



Appendix UL-EU CERTIFICATE

Certificate No. UL-EU-00771-CPR
Page 64/157
Date of Issue 2015-04-19

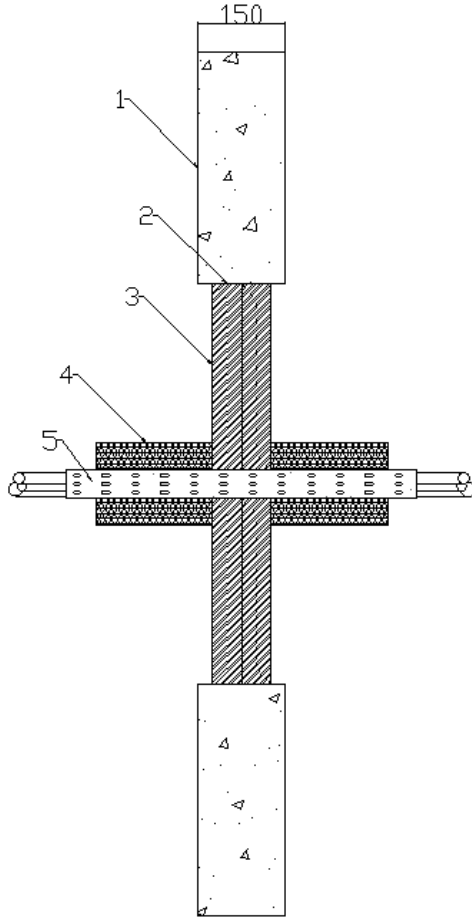


Appendix UL-EU CERTIFICATE

Certificate No. UL-EU-00771-CPR
 Page 65/157
 Date of Issue 2015-04-19

Double Layer, Stopseal Fire Batt 50mm, Electrical Cables

Max Aperture 730mm Wide x 1200mm High



Key

1. Supporting construction
2. Pyrocoustic Sealant
3. Stopseal Batt
4. Insulation
5. Penetration Service

Service(s)	Classification
¹ Electrical cables up to 21mm dia	EI 120
¹ Electrical cables 22mm – 80mm dia	E 120 EI 90
¹ Cable Trays and Ladders	EI 120
¹ 100 mm diameter bundle telecommunication cable type "F"	EI 120
¹ Unsheathed electrical cables up to 24mm dia	EI 120

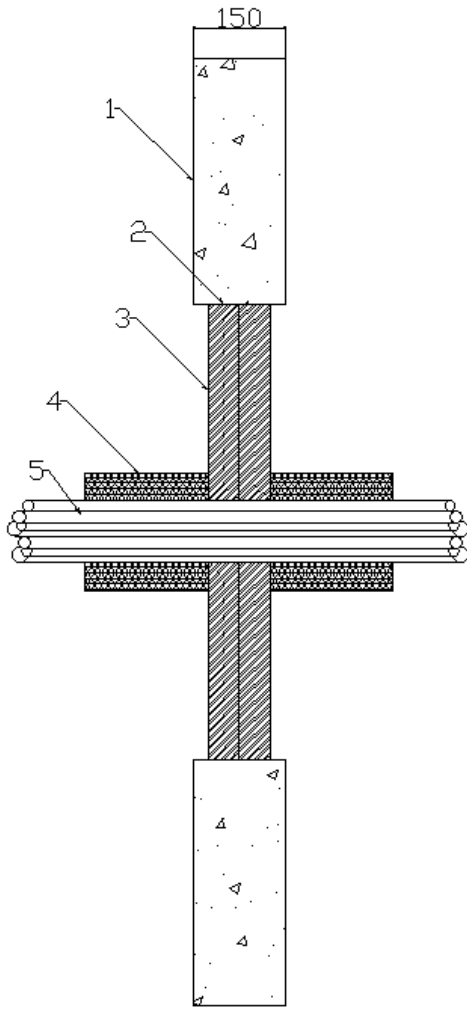
¹Cables and cable trays wrapped with Stone Wool Insulation 45mm thick, 40Kg/m³ (L/I 200mm)



Appendix UL-EU CERTIFICATE

Certificate No. UL-EU-00771-CPR
 Page 66/157
 Date of Issue 2015-04-19

Max Aperture 2600mm Wide x 2600mm High



Key

1. Supporting construction
2. Pyrocoustic Sealant
3. Stopseal Batt
4. Insulation
5. Penetration Service

Service(s)

Classification

¹Electrical cables up to 21mm dia

¹Electrical cables 22mm – 80mm dia

¹Cable Trays and Ladders

¹100 mm diameter bundle telecommunication cable type “F”

¹Unsheathed electrical cables up to 24mm dia

EI 60

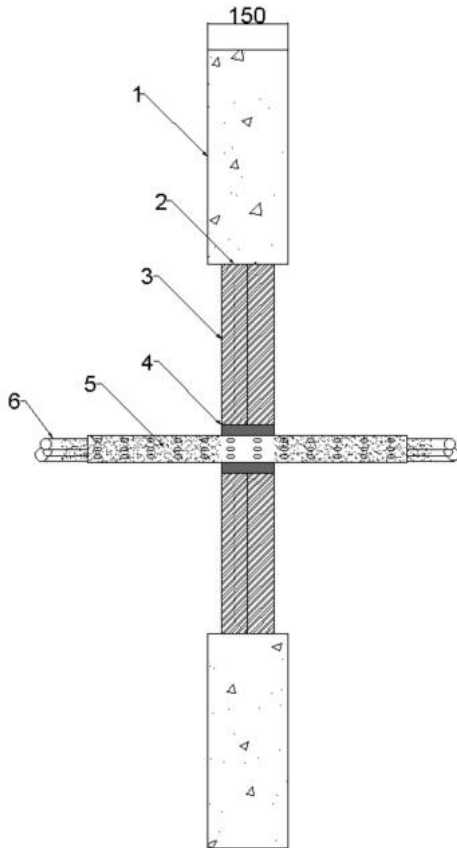
¹Cables and cable trays wrapped with Stone Wool Insulation 45mm thick, 40Kg/m³ (L/I 200mm)



Appendix UL-EU CERTIFICATE

Certificate No. UL-EU-00771-CPR
 Page 67/157
 Date of Issue 2015-04-19

Max Aperture 750mm Wide x 1100mm High



Key

1. Supporting construction
2. Pyrocoustic Sealant
3. Stopseal Batt
4. Pyropro HPE
5. PST Coating
6. Penetration Service

Penetration Specification

Classification

*500mm perforated cable tray

*Electrical cables up to 21mm ϕ

*1 off 'C1' Cable

*1 off 'C2' Cable

*1 off 'C3' Cable

EI120

E120
EI90

EI120

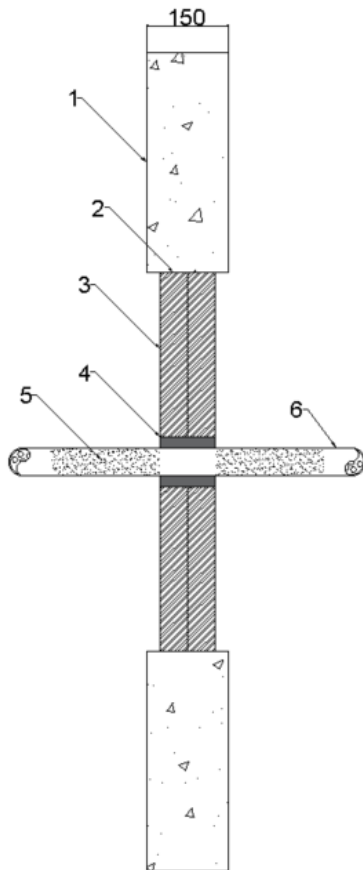
*All cables coated with 2mm DFT PST Coating 300mm along the cables both sides of the seal
 Pyropro HPE 20mm annulus full 50mm depth of the Stopseal Coated Batt



Appendix UL-EU CERTIFICATE

Certificate No. UL-EU-00771-CPR
 Page 68/157
 Date of Issue 2015-04-19

Max Aperture 2600mm Wide x 2600mm High



Key

1. Supporting construction
2. Pyrocoustic Sealant
3. Stopseal Batt
4. Pyropro HPE
5. PST Coating
6. Penetration Service

Penetration Specification

Classification

*500mm perforated cable tray

*Electrical cables up to 21mm ϕ

*1 off 'C1' Cable

*1 off 'C2' Cable

*1 off 'C3' Cable

EI 60

*All cables coated with 2mm DFT PST Coating 300mm along the cables both sides of the seal
 Pyropro HPE 20mm annulus full 50mm depth of the Stopseal Coated Batt

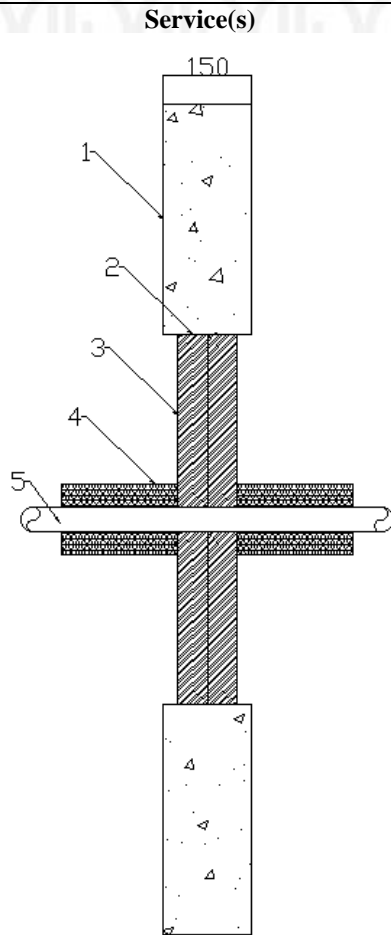


Appendix UL-EU CERTIFICATE

Certificate No. UL-EU-00771-CPR
 Page 69/157
 Date of Issue 2015-04-19

Double Layer, Stopseal Fire Batt 50mm, Insulated Metallic Pipes

Max Aperture 730mm Wide x 1200mm High



Key

1. Supporting construction
2. Pyrocoustic Sealant
3. Stopseal Batt
4. Insulation
5. Penetration Service

Penetration Specification

Classification

Steel or Copper Pipe 42mm Ø, 1.2mm – 14.2mm wall thickness. (L/I 300mm) 40mm stone wool insulation (min 40Kg/m³)

E 120 C/U
 EI 60 C/U

Steel or Copper Pipe 42mm – 159mm Ø, 2mm – 14.2mm wall thickness. (L/I 300mm) 40mm stone wool insulation (min 40Kg/m³)

E 120 C/U
 EI 30 C/U

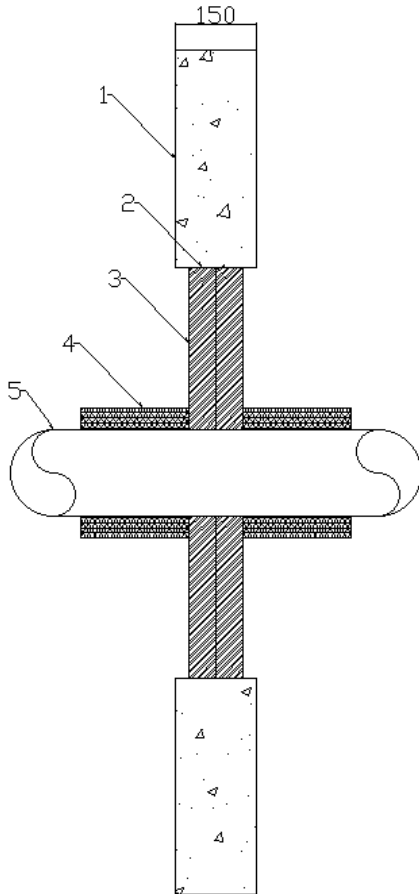


Appendix UL-EU CERTIFICATE

Certificate No. UL-EU-00771-CPR
 Page 70/157
 Date of Issue 2015-04-19

Max Aperture 2600mm Wide x 2600mm High

Service(s)



Key

1. Supporting construction
2. Pyrocoustic Sealant
3. Stopseal Batt
4. Insulation
5. Penetration Service

Penetration Specification

Classification

Steel or Copper Pipe 42mm Ø, 1.2mm – 14.2mm wall thickness. (L/I 300mm) 40mm stone wool insulation (min 40Kg/m³)

EI 60 C/U

Steel or Copper Pipe 42mm – 159mm Ø, 2mm – 14.2mm wall thickness. (L/I 300mm) 40mm stone wool insulation (min 40Kg/m³)

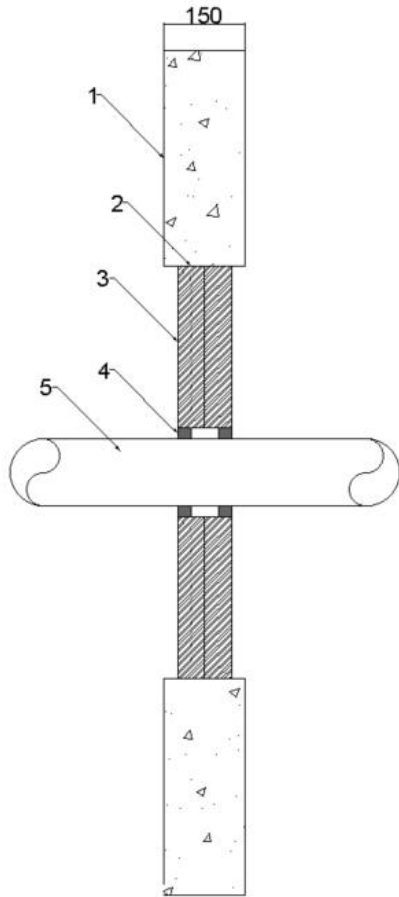
E 60 C/U
EI 30 C/U



Appendix UL-EU CERTIFICATE

Certificate No. UL-EU-00771-CPR
 Page 71/157
 Date of Issue 2015-04-19

Max Aperture 750mm Wide x 1100mm High



Key

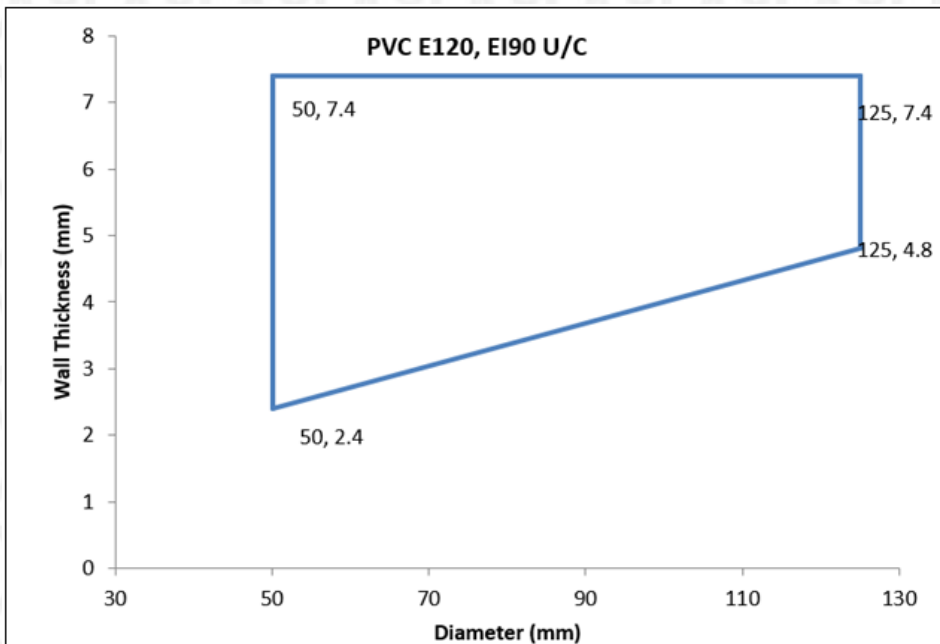
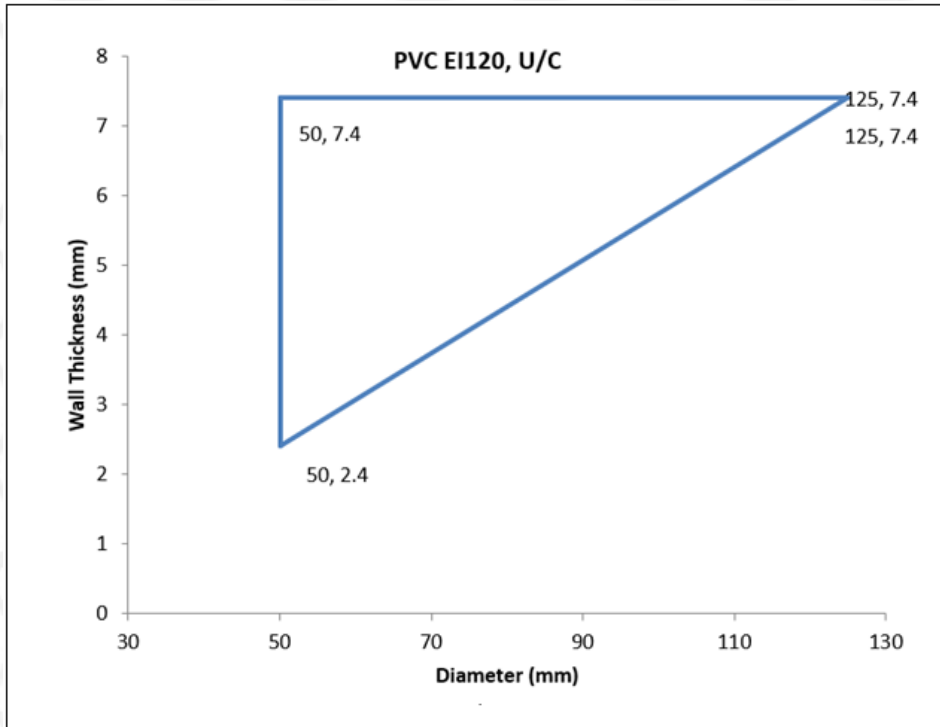
1. Supporting construction
2. Pyrocoustic Sealant
3. Stopseal Batt
4. Pyropro HPE
5. Penetration Service

Penetration Specification	Pyropro HPE	Classification
Pipe Diameters as below	20mm annulus, 25mm deep both faces of the Stopseal Coated Batt	See graphs below



Appendix UL-EU CERTIFICATE

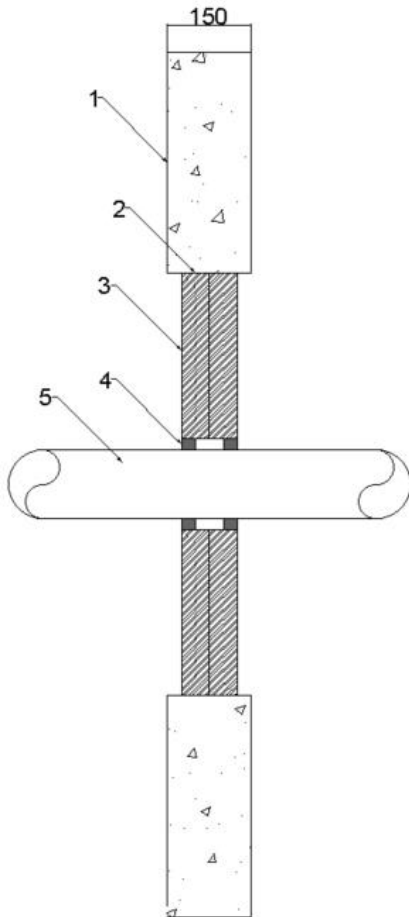
Certificate No. UL-EU-00771-CPR
Page 72/157
Date of Issue 2015-04-19



Appendix UL-EU CERTIFICATE

Certificate No. UL-EU-00771-CPR
 Page 73/157
 Date of Issue 2015-04-19

Max Aperture 2600mm Wide x 2600mm High



Key

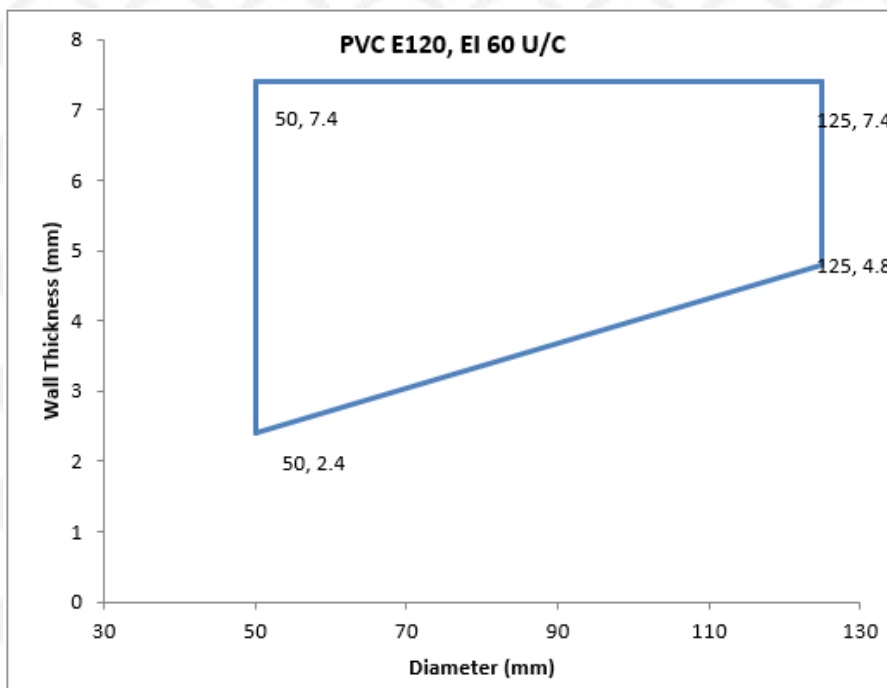
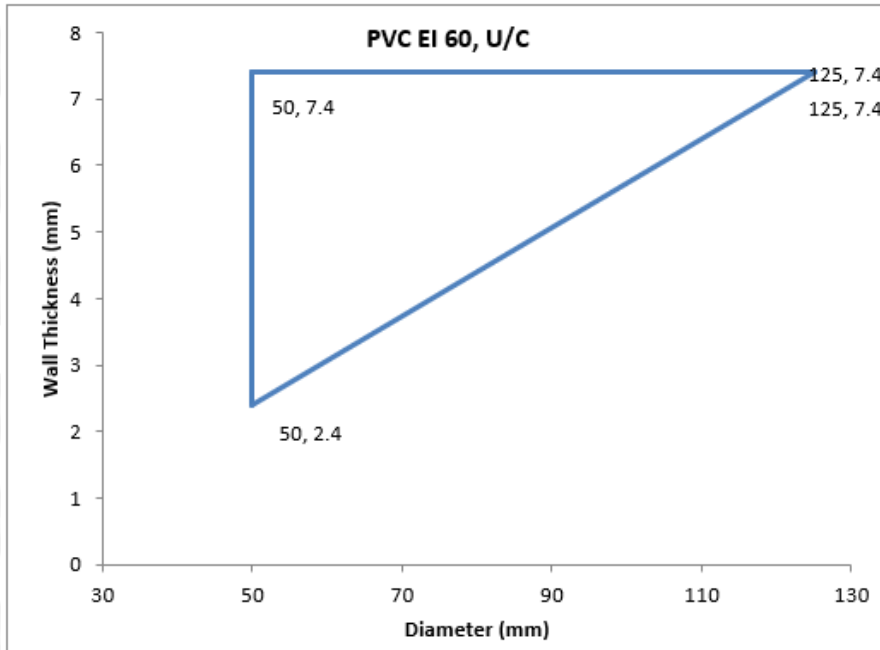
1. Supporting construction
2. Pyrocoustic Sealant
3. Stopseal Batt
4. Pyropro HPE
5. Penetration Service

Penetration Specification	Pyropro HPE	Classification
Pipe Diameters as below	20mm annulus, 25mm deep both faces of the Stopseal Coated Batt	EI 60



Appendix UL-EU CERTIFICATE

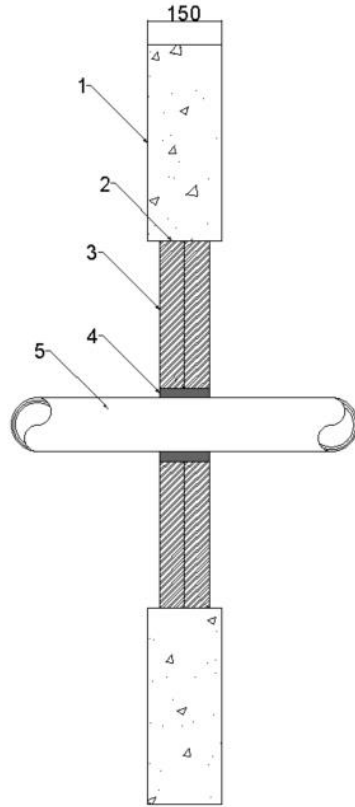
Certificate No. UL-EU-00771-CPR
Page 74/157
Date of Issue 2015-04-19



Appendix UL-EU CERTIFICATE

Certificate No. UL-EU-00771-CPR
 Page 75/157
 Date of Issue 2015-04-19

Max Aperture 750mm Wide x 1100mm High



Key

1. Supporting construction
2. Pyrocoustic Sealant
3. Stopseal Batt
4. Pyropro HPE
5. Penetration Service

Penetration Specification

Classification

Uponor MLC (Multi-Layer Composite) Pipe 40mm ϕ 4mm wall thickness

Uponor MLC (Multi-Layer Composite) Pipe 50mm ϕ 4.5mm wall thickness

Uponor MLC (Multi-Layer Composite) Pipe 63mm ϕ 6mm wall thickness

Uponor MLC (Multi-Layer Composite) Pipe 75mm ϕ 7.5mm wall thickness

Uponor MLC (Multi-Layer Composite) Pipe 90mm ϕ 8.5mm wall thickness

Uponor MLC (Multi-Layer Composite) Pipe 110mm ϕ 10mm wall thickness

EI 120 U/C

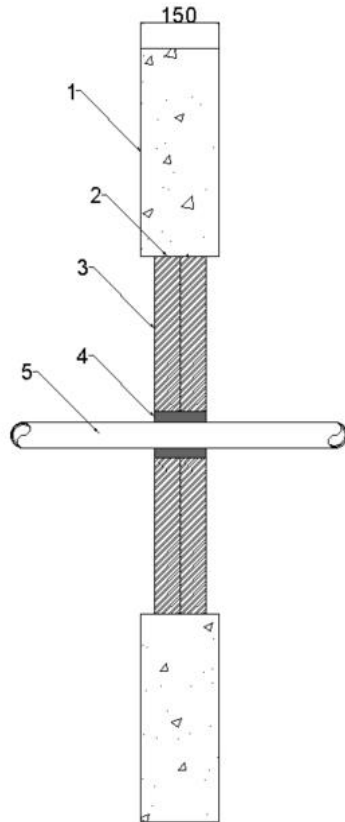
Pyropro HPE 20mm annulus full 50mm depth of the Stopseal Coated Batt



Appendix UL-EU CERTIFICATE

Certificate No. UL-EU-00771-CPR
 Page 76/157
 Date of Issue 2015-04-19

Max Aperture 2600mm Wide x 2600mm High



Key

1. Supporting construction
2. Pyrocoustic Sealant
3. Stopseal Batt
4. Pyropro HPE
5. Penetration Service

Penetration Specification

Classification

Uponor MLC (Multi-Layer Composite) Pipe 40mm ϕ 4mm wall thickness

Uponor MLC (Multi-Layer Composite) Pipe 50mm ϕ 4.5mm wall thickness

Uponor MLC (Multi-Layer Composite) Pipe 63mm ϕ 6mm wall thickness

Uponor MLC (Multi-Layer Composite) Pipe 75mm ϕ 7.5mm wall thickness

Uponor MLC (Multi-Layer Composite) Pipe 90mm ϕ 8.5mm wall thickness

Uponor MLC (Multi-Layer Composite) Pipe 110mm ϕ 10mm wall thickness

EI 60 U/C

Pyropro HPE 20mm annulus full 50mm depth of the Stopseal Coated Batt



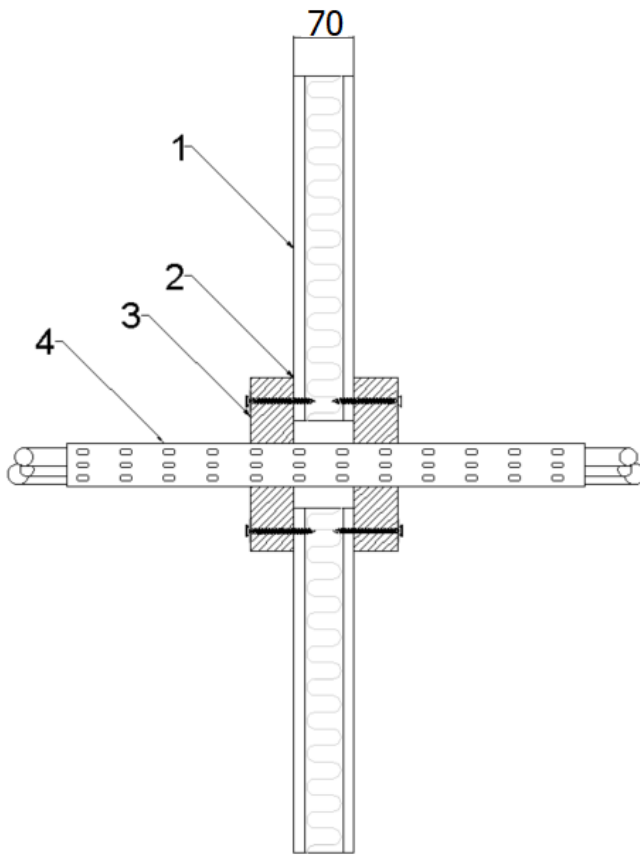
Appendix UL-EU CERTIFICATE

Certificate No. UL-EU-00771-CPR
 Page 77/157
 Date of Issue 2015-04-19

Flexible Walls Minimum Thickness 70mm

Single Layer Pattress Stopseal Fire Batt 50mm, Electrical Cables

Max Aperture 570mm Wide x 200mm High



Key

1. Supporting Construction
2. Pyrocoustic Sealant
3. Stopseal Batt
4. Service Penetration

Service(s)

500mm wide x 60mm deep steel cable basket containing 3 x type 'B' cable and 20 x bundle of telecoms cables

500mm wide x 60mm deep steel cable tray containing 1 x type 'B' cable, 3 x type 'A1' cable, 3 x type 'A2' cable, and 3 x type 'A3' cable

Classification

EI 90

¹Pattress installation of Stopseal Coated Batt. The Batts are installed in horizontal rows and fixed on all edges. Overlap of batts to substrate min 50mm. Batts mechanically fixed to substrate with min 6mm x 80mm steel screws and steel retaining washer. Fixings installed at max 300mm centres

27-CP-F0855 Issue: 3.1

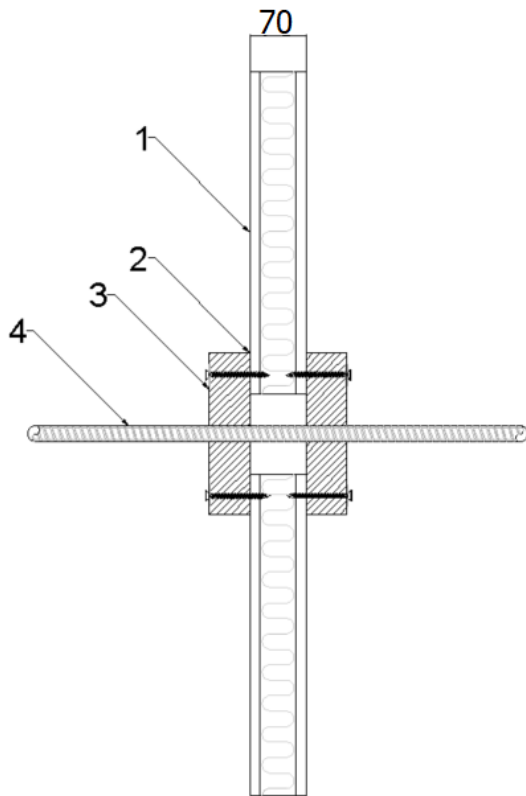


Appendix UL-EU CERTIFICATE

Certificate No. UL-EU-00771-CPR
 Page 78/157
 Date of Issue 2015-04-19

Single Layer Pattress Stopseal Fire Batt 50mm, Electrical Cables and Conduits

Max Aperture 570mm Wide x 200mm High



Key

1. Supporting Construction
2. Pyroacoustic Sealant
3. Stopseal Batt
4. Service Penetration

Service(s)	Classification
20mm dia Adaptaflex SPL20 flexible conduit	EI 90
20mm dia Kopex KSU 316 stainless steel flexible conduit	
150mm wide x 60mm deep steel cable tray containing 4 x FP200 Gold (Firealarm cable 7mm dia red) Cables	E 90 EI 60

¹Pattress installation of Stopseal Coated Batt. The Batts are installed in horizontal rows and fixed on all edges. Overlap of batts to substrate min 50mm. Batts mechanically fixed to substrate with min 6mm x 80mm steel screws and steel retaining washer. Fixings installed at max 300mm centres



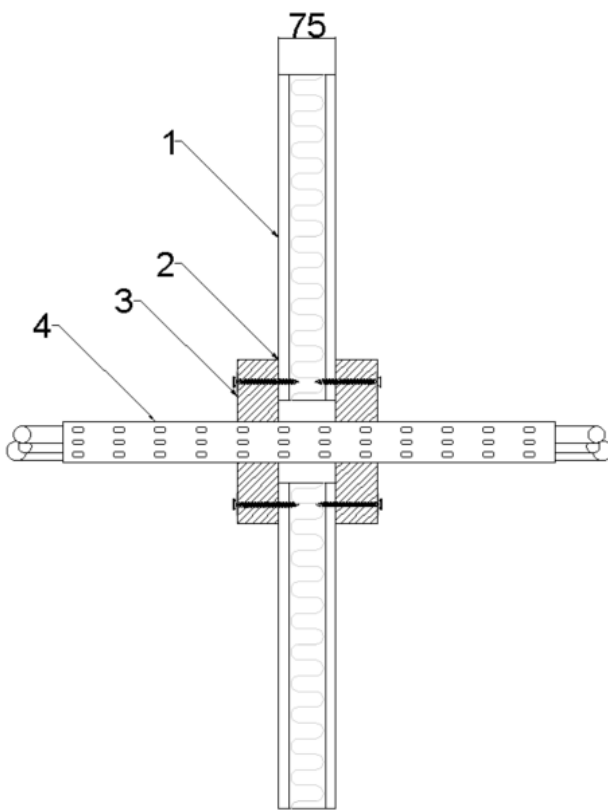
Appendix UL-EU CERTIFICATE

Certificate No. UL-EU-00771-CPR
 Page 79/157
 Date of Issue 2015-04-19

Flexible Walls Minimum Thickness 75mm

Single Layer Patress Stopseal Fire Batt 50mm, Electrical Cables

Max Aperture 570mm Wide x 200mm High



Key

1. Supporting construction
2. Pyrocoustic Sealant
3. Stopseal Batt
4. Penetration Service

Service(s)

500mm wide x 60mm deep steel cable basket containing 3 x type 'B' cable and 20 x bundle of telecoms cables

500mm wide x 60mm deep steel cable tray containing 1 x type 'B' cable, 3 x type 'A1' cable, 3 x type 'A2' cable, and 3 x type 'A3' cable

Classification

EI 90

¹Patress installation of Stopseal Coated Batt. The Batts are installed in horizontal rows and fixed in minimum two vertical edges. Overlap of batts to substrate min 50mm. Batts mechanically fixed to substrate with min 6mm x 80mm steel screws and steel retaining washer. Fixings installed at max 300mm centres

27-CP-F0855 Issue: 3.1

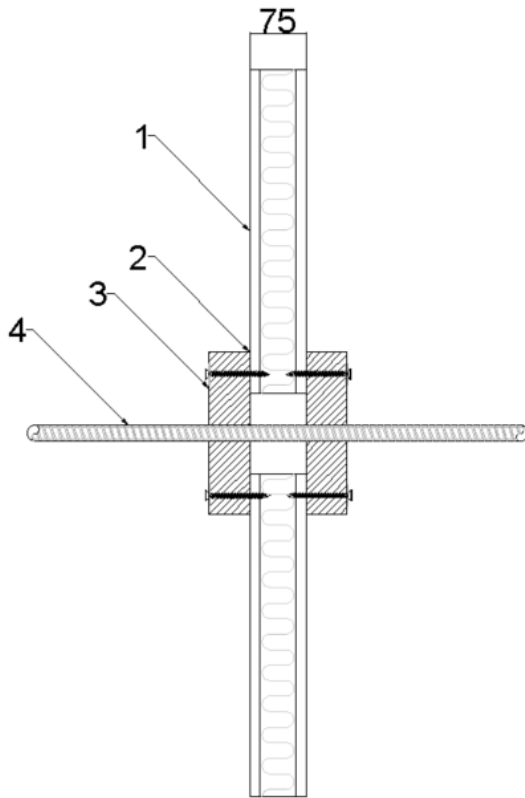


Appendix UL-EU CERTIFICATE

Certificate No. UL-EU-00771-CPR
 Page 80/157
 Date of Issue 2015-04-19

Single Layer Patress Stopseal Fire Batt 50mm, Electrical Cables and Conduits

Max Aperture 200mm Wide x 200mm High



Key

1. Supporting construction
2. Pyrocoustic Sealant
3. Stopseal Batt
4. Penetration Service

Service(s)	Classification
20mm dia Adaptaflex SPL20 flexible conduit	EI 90
20mm dia Kopex KSU 316 stainless steel flexible conduit	
150mm wide x 60mm deep steel cable tray	
4 x FP200 Gold (Firealarm cable 7mm dia red) Cables	EI 60

¹Patress installation of Stopseal Coated Batt. The Batts are installed in horizontal rows and fixed in minimum two vertical edges. Overlap of batts to substrate min 50mm. Batts mechanically fixed to substrate with min 6mm x 80mm steel screws and steel retaining washer. Fixings installed at max 300mm centres



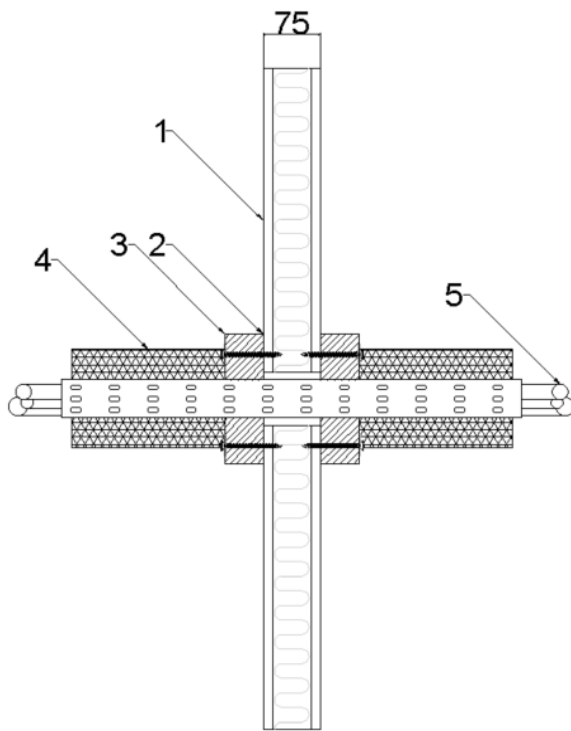
Appendix UL-EU CERTIFICATE

Certificate No. UL-EU-00771-CPR
 Page 81/157
 Date of Issue 2015-04-19

Flexible Walls Minimum Thickness 75mm

Single Layer Pattress Stopseal Fire Batt 50mm, Electrical Cables and Cable Trunking

Max Aperture 70mm Wide x 70mm High



Key

1. Supporting construction
2. Pyrocoustic Sealant
3. Stopseal Batt
4. Insulation
5. Penetration Service

Service(s)	Classification
50mm x 50mm Insulated steel cable trunking, Stone Wool 40mm thick, 45kg/m ³ (LI 400mm). S-Line Pillow tightly fitted around the cables in the section of trunking within the depth of the partition.	EI 60 U/U
Cables 1xA1, 1xA2, 1xA3	EI 60
Cables 1xA1	
Cables 1xA2	
Cables 1xA3	

¹Pattress installation of Stopseal Coated Batt. The Batts are installed in horizontal rows and fixed in minimum two vertical edges. Overlap of batts to substrate min 50mm. Batts mechanically fixed to substrate with min 6mm x 80mm steel screws and steel retaining washer. Fixings installed at max 300mm centres

27-CP-F0855 Issue: 3.1

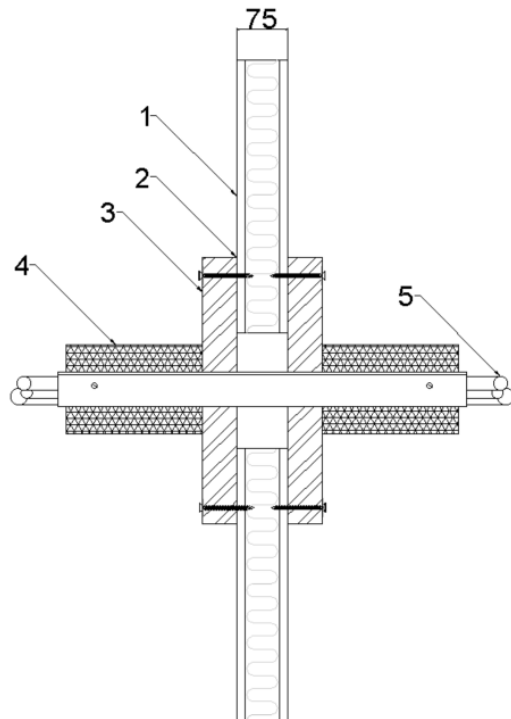


Appendix UL-EU CERTIFICATE

Certificate No. UL-EU-00771-CPR
 Page 82/157
 Date of Issue 2015-04-19

Single Layer Pattress Stopseal Fire Batt 50mm, Electrical Cables and Cable Trunking

Max Aperture 170mm Wide x 170mm High



Key

1. Supporting construction
2. Pyrocoustic Sealant
3. Stopseal Batt
4. Insulation
5. Penetration Service

Service(s)	Classification
150mm x 150mm Insulated steel cable trunking, Stone Wool 40mm thick, 45kg/m ³ (LI 400mm). S-Line Pillow tightly fitted around the cables in the section of trunking within the depth of the partition.	EI 60 U/U
Cables 1xB1, 1xC1, 1xG1, 1xG2	EI 60
Cables 1xB1	
Cables 1xC1	
Unsheathed electrical cables 0-24mm dia	

¹Pattress installation of Stopseal Coated Batt. The Batts are installed in horizontal rows and fixed in minimum two vertical edges. Overlap of batts to substrate min 50mm. Batts mechanically fixed to substrate with min 6mm x 80mm steel screws and steel retaining washer. Fixings installed at max 300mm centres



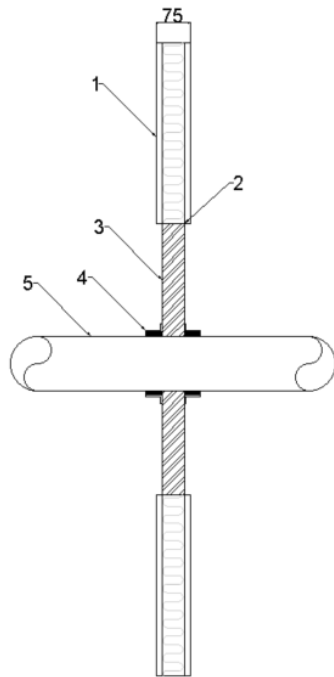
Appendix UL-EU CERTIFICATE

Certificate No. UL-EU-00771-CPR
 Page 83/157
 Date of Issue 2015-04-19

Single Layer Stopseal Fire Batt 50mm, Plastic Pipes

Max Aperture 600mm Wide x 600mm High

(Penetrations positioned as per option 1 or 2 below, 0mm distance between services and 50mm to edge of seal)
 Collars secured both faces of the substrate utilising 80mm long steel pig tail screw through to Stopseal Fire Batt



Key

1. Supporting construction
2. Pyrocoustic Sealant
3. Stopseal Batt
4. PipeBloc PCP
5. Penetration Service

Service(s)	PipeBloc PCP Ref	Classification
PVC Pipe 32mm Ø, 1.8mm wall thickness	32mm	EI 60 U/C
PVC Pipe 40mm Ø, 1.8mm wall thickness	40mm	
PVC Pipe 50mm Ø, 1.8mm wall thickness	50mm	
PVC Pipe 55mm Ø, 1.8-2.3mm wall thickness	55mm	
PVC Pipe 63mm Ø, 2.3-3mm wall thickness	63mm	
PVC Pipe 75mm Ø, 3.1-4.8mm wall thickness	75mm	
PVC Pipe 82mm Ø, 3.1-4.8mm wall thickness	82mm	
PVC Pipe 90mm Ø, 4.2-7.4mm wall thickness	90mm	
PVC Pipe 100mm Ø, 4.2-7.4mm wall thickness	100mm	
PVC Pipe 110mm Ø, 4.2-7.4mm wall thickness	110mm	
PVC Pipe 125mm Ø, 6mm wall thickness	125mm	
PVC Pipe 140mm Ø, 6.1-7.5mm wall thickness	140mm	

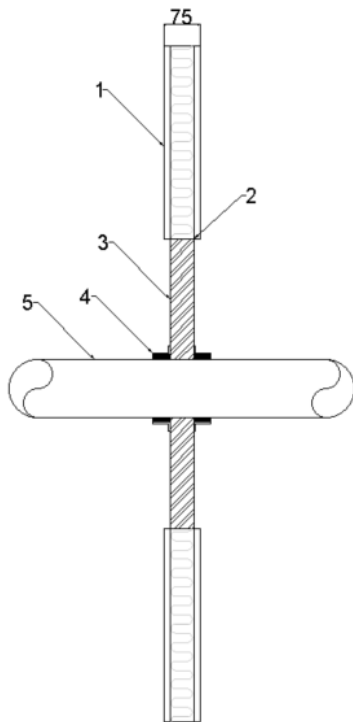


Appendix UL-EU CERTIFICATE

Certificate No. UL-EU-00771-CPR
 Page 84/157
 Date of Issue 2015-04-19

Max Aperture 600mm Wide x 600mm High

(Penetrations positioned as per option 1 or 2 below, 0mm distance between services and 50mm to edge of seal)
 Collars secured both faces of the substrate utilising 80mm long steel pig tail screw through to Stopseal Fire Batt



Key

1. Supporting construction
2. Pyrocoustic Sealant
3. Stopseal Batt
4. PipeBloc PCP
5. Penetration Service

Service(s)	PipeBloc PCP Ref	Classification
PE Pipe 32mm Ø, 2.9mm wall thickness	32mm	EI 60 U/C
PE Pipe 40mm Ø, 2.9mm wall thickness	40mm	
PE Pipe 50mm Ø, 2.9mm wall thickness	50mm	
PE Pipe 55mm Ø, 2.9-4.4mm wall thickness	55mm	
PE Pipe 63mm Ø, 2.9-4.4mm wall thickness	63mm	
PE Pipe 75mm Ø, 2.8-6.7mm wall thickness	75mm	
PE Pipe 82mm Ø, 2.8-6.7mm wall thickness	82mm	
PE Pipe 90mm Ø, 2.7-10mm wall thickness	90mm	
PE Pipe 100mm Ø, 2.7-10mm wall thickness	100mm	
PE Pipe 110mm Ø, 2.7-10mm wall thickness	110mm	
PE Pipe 125mm Ø, 3.1mm wall thickness	125mm	
PE Pipe 140mm Ø, 3.9-5.8mm wall thickness	140mm	
PE Pipe 160mm Ø, 4.9-9.5mm wall thickness	160mm	

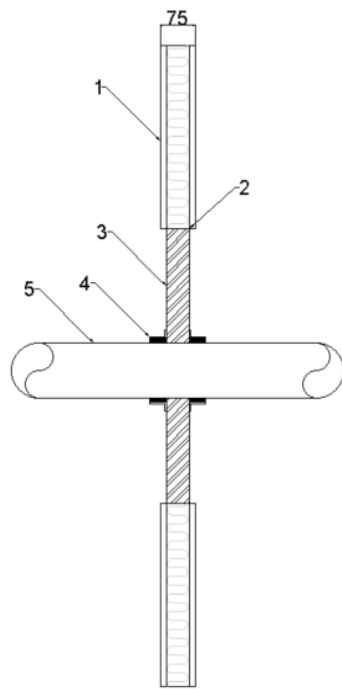


Appendix UL-EU CERTIFICATE

Certificate No. UL-EU-00771-CPR
 Page 85/157
 Date of Issue 2015-04-19

Max Aperture 600mm Wide x 600mm High

(Penetrations positioned as per option 1 or 2 below, 0mm distance between services and 50mm to edge of seal)
 Collars secured both faces of the substrate utilising 80mm long steel pig tail screw through to Stopseal Fire Batt



Key

1. Supporting construction
2. Pyrocoustic Sealant
3. Stopseal Batt
4. PipeBloc PCP
5. Penetration Service

Service(s)	PipeBloc PCP Ref	Classification
PP Pipe 32mm Ø, 2.9mm wall thickness	32mm	EI 60 U/C
PP Pipe 40mm Ø, 2.9mm wall thickness	40mm	
PP Pipe 50mm Ø, 2.9mm wall thickness	50mm	
PP Pipe 55mm Ø, 2.9-4.4mm wall thickness	55mm	
PP Pipe 63mm Ø, 2.9-4.4mm wall thickness	63mm	
PP Pipe 75mm Ø, 2.8-6.7mm wall thickness	75mm	
PP Pipe 82mm Ø, 2.8-6.7mm wall thickness	82mm	
PP Pipe 90mm Ø, 2.7-10mm wall thickness	90mm	
PP Pipe 100mm Ø, 2.7-10mm wall thickness	100mm	
PP Pipe 110mm Ø, 2.7-10mm wall thickness	110mm	
PP Pipe 125mm Ø, 3.1mm wall thickness	125mm	
PP Pipe 140mm Ø, 3.5-8mm wall thickness	140mm	
PP Pipe 160mm Ø, 4-14.6mm wall thickness	160mm	



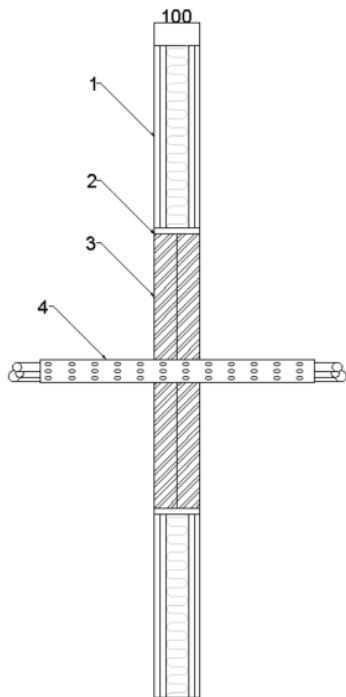
Appendix UL-EU CERTIFICATE

Certificate No. UL-EU-00771-CPR
 Page 86/157
 Date of Issue 2015-04-19

Flexible Walls Minimum Thickness 100mm

Double Layer Stopseal Fire Batt 50mm, Electrical Cables and Conduits

Max Aperture 2600mm Wide x 2600mm High



Key

1. Supporting construction
2. Pyrocoustic Sealant
3. Stopseal Batt
4. Penetration Service

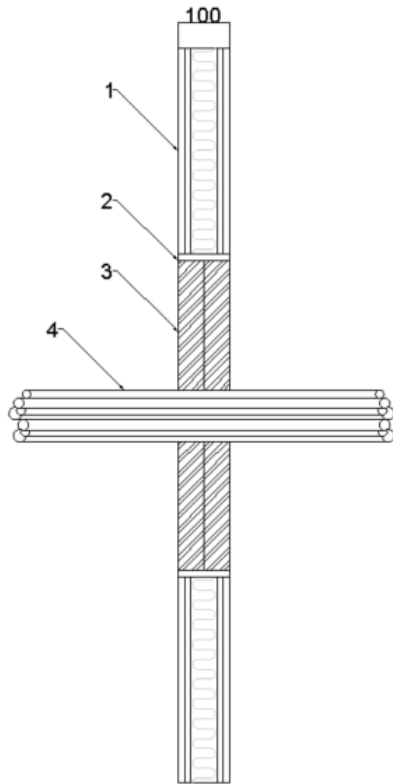
Service(s)	Classification
Electrical cables 0mm to 21mm dia	EI 60
Electrical cables 22mm to 50mm dia	E 60 EI 45
Electrical cables 51mm to 80mm dia	E 60 EI 30
Cable Trays and Ladders	E 60 EI 45
100 mm diameter bundle telecommunication cable type "F"	EI 60
Unsheathed electrical cables 0-24mm dia	
Steel or Copper Conduits up to 16mm	E 60 C/U
Plastic conduits up to 16mm	EI 60 C/U



Appendix UL-EU CERTIFICATE

Certificate No. UL-EU-00771-CPR
 Page 87/157
 Date of Issue 2015-04-19

Max Aperture 2600mm Wide x 2600mm High



Key

1. Supporting construction
2. Pyrocoustic Sealant
3. Stopseal Batt
4. Penetration Service

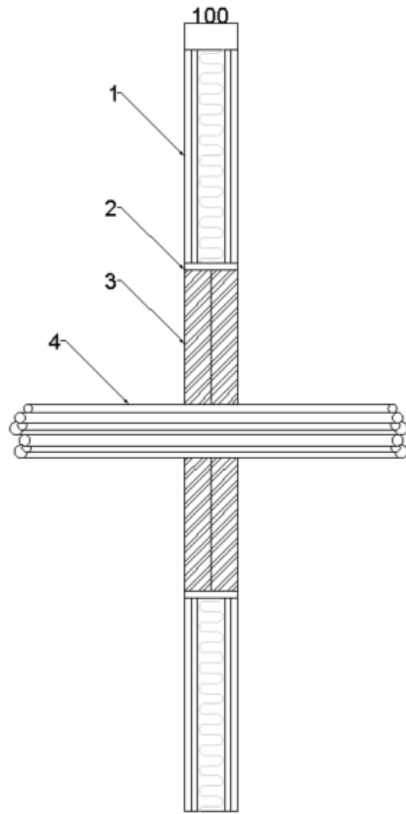
Service(s)	Classification
Electrical cables up to 21mm dia	EI 60
Electrical cables 22mm to 80mm dia	E 60 EI 45
Cable Trays and Ladders	EI 60
100 mm diameter bundle telecommunication cable type "F"	EI 60
Unsheathed electrical cables up to 17mm dia	E 60 EI 30
Unsheathed electrical cables 18-24mm dia	E 60 EI 15
Steel or Copper Conduits up to 16mm	E 60 EI 15
Plastic conduits up to 16mm	EI 60



Appendix UL-EU CERTIFICATE

Certificate No. UL-EU-00771-CPR
 Page 88/157
 Date of Issue 2015-04-19

Max Aperture 2600mm Wide x 2600mm High



Key

1. Supporting construction
2. Pyrocoustic Sealant
3. Stopseal Batt
4. Penetration Service

Service(s)	Classification
Electrical cables up to 21mm dia	EI 60
Electrical cables 22mm to 80mm dia	E 60 EI 45
Cable Trays and Ladders	EI 60
100 mm diameter bundle telecommunication cable type "F"	EI 60
Unsheathed electrical cables up to 17mm dia	E 60 EI 30
Unsheathed electrical cables 18-24mm dia	E 60 EI 15
Steel or Copper Conduits up to 16mm	E 60 EI 15
Plastic conduits up to 16mm	EI 60

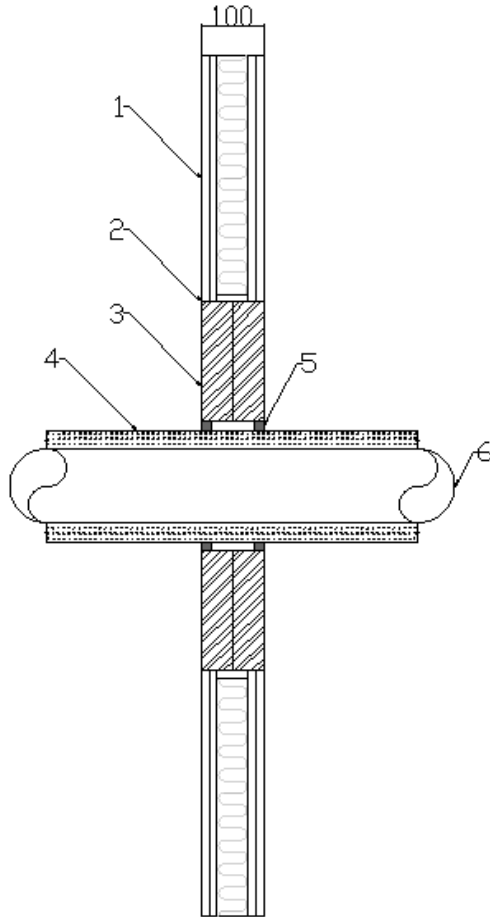


Appendix UL-EU CERTIFICATE

Certificate No. UL-EU-00771-CPR
 Page 89/157
 Date of Issue 2015-04-19

Double Layer Stopseal Fire Batt 50mm, Insulated Metallic Pipes

Max Aperture 730mm Wide x 1200mm High



Key

1. Supporting construction
2. Pyroacoustic Sealant
3. Stopseal Batt
4. Insulation
5. Pyropro HPE
6. Penetration Service

Service(s)	Classification
¹ Single copper or mild steel pipe 40mm diameter and 1.5 – 14.2 mm wall with sustained/continuous 20mm thick foil faced glass wool insulation (min 80Kg/m ³)	E 90 U/C EI 60 U/C
¹ Single copper or mild steel pipe 40-159mm diameter and 2.3 – 14.2 mm wall with sustained/continuous 30mm thick foil faced glass wool insulation (min 80Kg/m ³)	EI 60 U/C

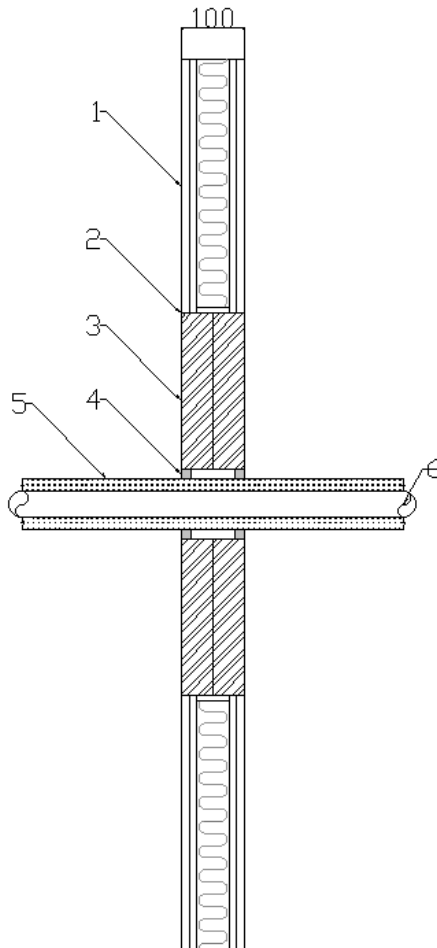
¹15mm deep x 15mm wide annulus Pyropro HPE Sealant to both faces of the pipe



Appendix UL-EU CERTIFICATE

Certificate No. UL-EU-00771-CPR
 Page 90/157
 Date of Issue 2015-04-19

Max Aperture 2600mm Wide x 2600mm High



Key

1. Supporting construction
2. Pyrocoustic Sealant
3. Stopseal Batt
4. Pyropro HPE
5. Insulation
6. Penetration Service

Service(s)

Classification

¹Single copper or mild steel pipe 40mm diameter and 1.5 – 14.2 mm wall with sustained/continuous 20mm thick foil faced glass wool insulation (min 80Kg/m³)

EI 60 U/C

¹Single copper or mild steel pipe 40-159mm diameter and 2.3 – 14.2 mm wall with sustained/continuous 30mm thick foil faced glass wool insulation (min 80Kg/m³)

EI 60 U/C

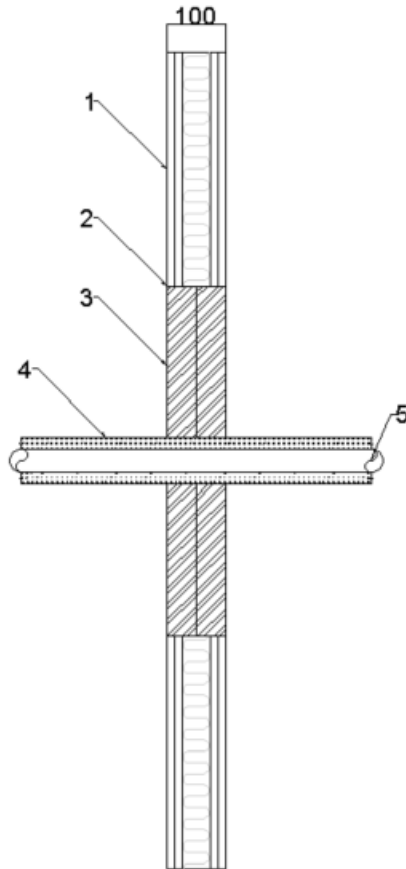
¹15mm deep x 15mm wide annulus Pyropro HPE Sealant to both faces of the pipe



Appendix UL-EU CERTIFICATE

Certificate No. UL-EU-00771-CPR
 Page 91/157
 Date of Issue 2015-04-19

Max Aperture 730mm Wide x 1200mm High



Key

1. Supporting construction
2. Pyrocoustic Sealant
3. Stopseal Batt
4. Insulation
5. Penetration Service

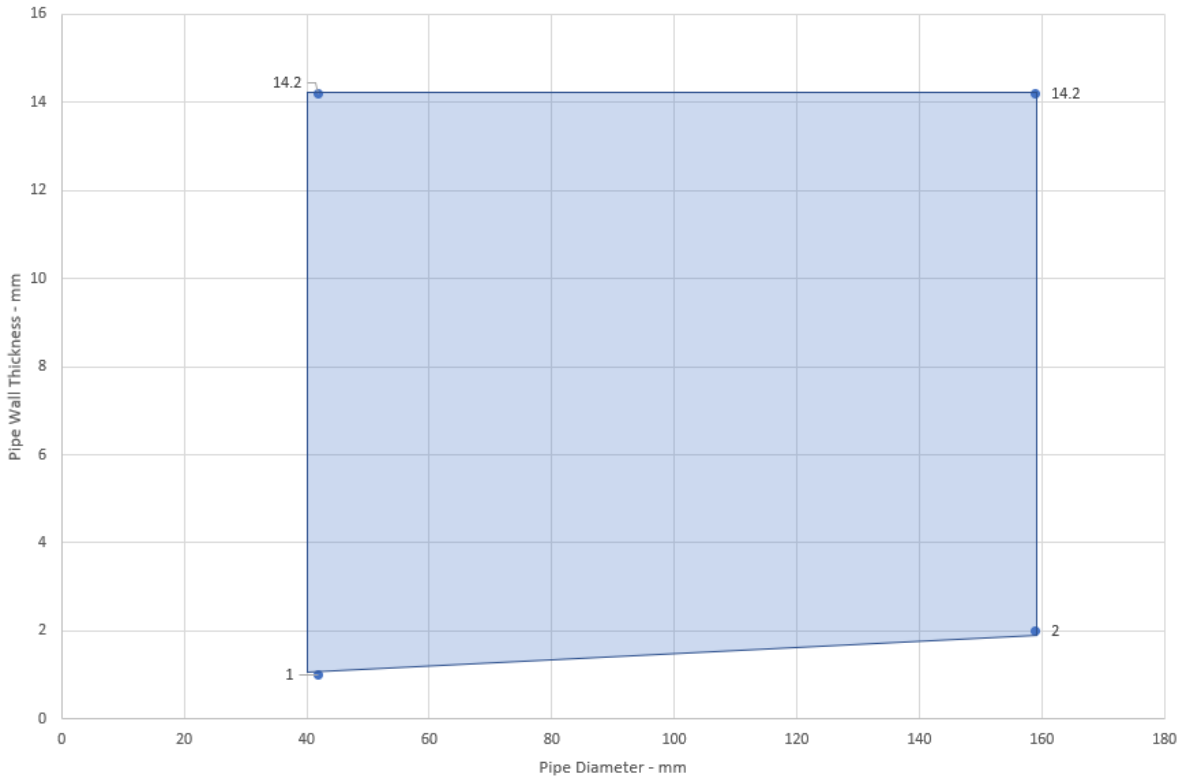
Service(s)	Classification
Steel or Copper Pipe 42-159mm Ø, 1.0mm – 14.2mm wall thickness. 25mm thick foil faced glassfibre insulation min. 30kg/m ³ (C/S)	E 120 C/U EI 45 C/U
Steel or Copper Pipe 42mm Ø, 1mm – 14.2mm wall thickness. 25mm thick foil faced glassfibre insulation min. 30kg/m ³ (C/S)	E 120 C/U EI 60 C/U



Appendix UL-EU CERTIFICATE

Certificate No. UL-EU-00771-CPR
Page 92/157
Date of Issue 2015-04-19

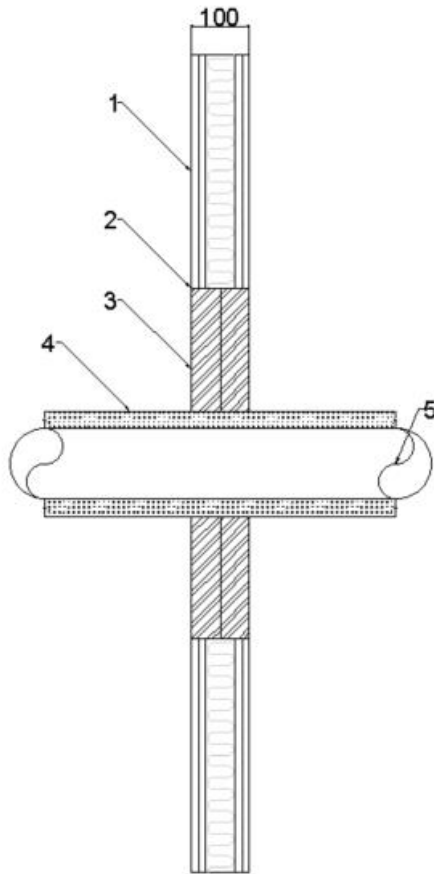
Permitted Pipe Diameter vs Pipe Wall Thickness



Appendix UL-EU CERTIFICATE

Certificate No. UL-EU-00771-CPR
 Page 93/157
 Date of Issue 2015-04-19

Max Aperture 2600mm Wide x 2600mm High



Key

1. Supporting construction
2. Pyrocoustic Sealant
3. Stopseal Batt
4. Insulation
5. Penetration Service

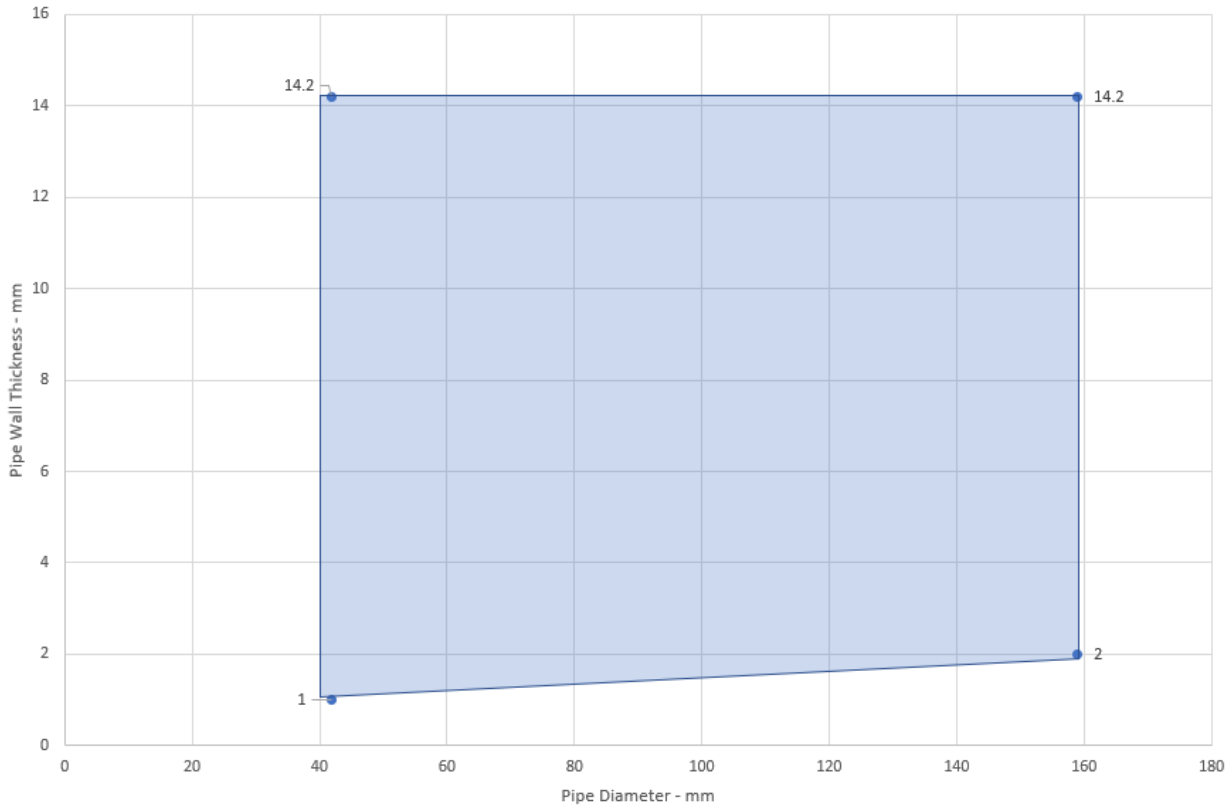
Service(s)	Classification
Steel or Copper Pipe 42-159mm Ø, 1.0mm – 14.2mm wall thickness. 25mm thick foil faced glassfibre insulation min. 30kg/m ³ (C/S)	E 60 C/U EI 45 C/U
Steel or Copper Pipe 42mm Ø, 1mm – 14.2mm wall thickness. 25mm thick foil faced glassfibre insulation min. 30kg/m ³ (C/S)	E 60 C/U EI 60 C/U



Appendix UL-EU CERTIFICATE

Certificate No. UL-EU-00771-CPR
Page 94/157
Date of Issue 2015-04-19

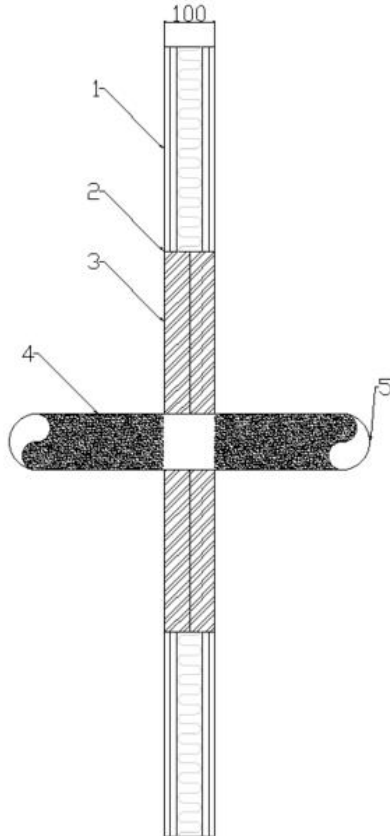
Permitted Pipe Diameter vs Pipe Wall Thickness



Appendix UL-EU CERTIFICATE

Certificate No. UL-EU-00771-CPR
 Page 95/157
 Date of Issue 2015-04-19

Max Aperture 730mm Wide x 1200mm High
 (Penetrations positioned as per option 1 or 2 below, 0mm distance between services and 50mm to edge of seal)



Key

1. Supporting construction
2. Pyroacoustic Sealant
3. Stopseal Batt
4. PST Coating
5. Penetration Service

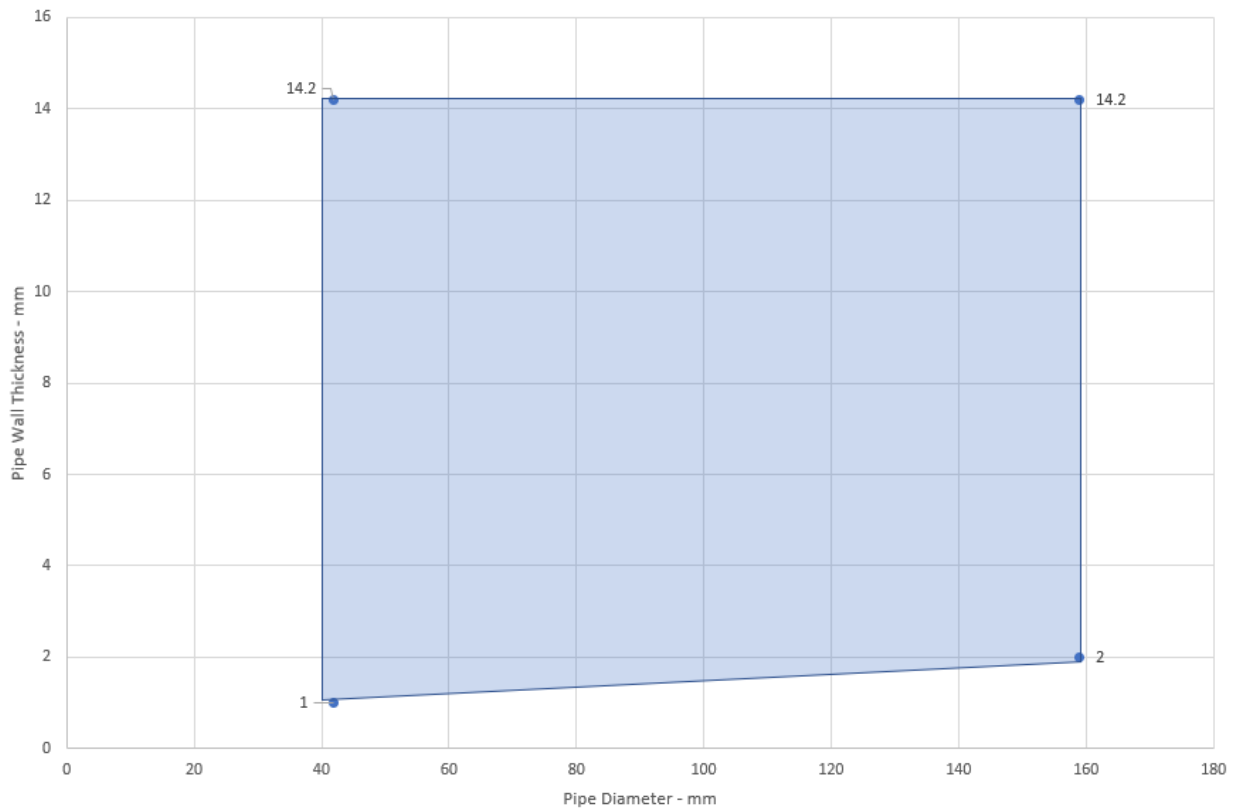
Service(s)	Classification
Steel or Copper Pipe 42-159mm Ø, 1.0mm – 14.2mm wall thickness 40mm thick foil faced stonewool insulation min. 40kg/m ³ (L/I 400mm)	EI 45 C/U
Steel 42-324mm Ø, 16mm wall thickness. 40mm thick foil faced stonewool insulation min. 40kg/m ³ (L/I 400mm)	EI 45 C/U
Steel 42-324mm Ø, 16mm wall thickness. 40mm thick foil faced stonewool insulation min. 40kg/m ³ (C/I)	EI 60 C/U
Steel or Copper Pipe 42mm Ø, 1.0mm – 14.2mm wall thickness FSi PST coating along the penetration 2mm DFT (L/I 300mm)	E 120 C/U EI 45 C/U
Steel or Copper Pipe 42-159mm Ø, 1.0mm – 14.2mm wall thickness FSi PST coating along the penetration 2mm DFT (L/I 300mm)	E 120 C/U EI 20 C/U
Steel 42-324mm Ø, 16mm wall thickness. 14.2mm wall thickness FSi PST coating along the penetration 2mm DFT (L/I 300mm)	E 120 C/U EI 45 C/U



Appendix UL-EU CERTIFICATE

Certificate No. UL-EU-00771-CPR
Page 96/157
Date of Issue 2015-04-19

Permitted Pipe Diameter vs Pipe Wall Thickness

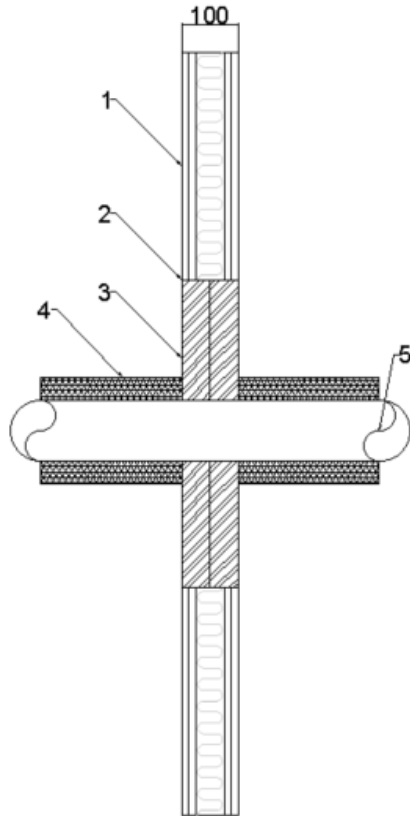


Appendix UL-EU CERTIFICATE

Certificate No. UL-EU-00771-CPR
 Page 97/157
 Date of Issue 2015-04-19

Max Aperture 2600mm Wide x 2600mm High

(Penetrations positioned as per option 1 or 2 below, 0mm distance between services and 50mm to edge of seal)



Key

1. Supporting construction
2. Pyrocoustic Sealant
3. Stopseal Batt
4. Insulation
5. Penetration Service

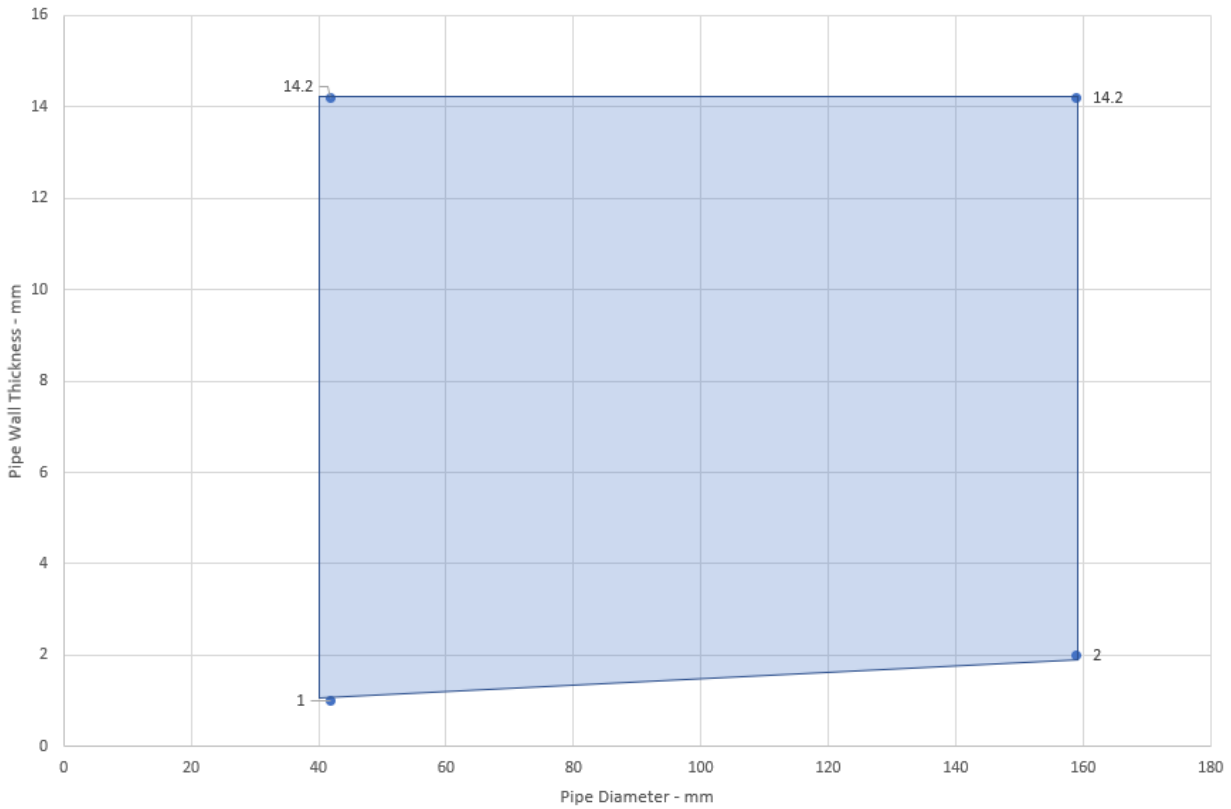
Service(s)	Classification
Steel or Copper Pipe 42-159mm Ø, 1.0mm – 14.2mm wall thickness 40mm thick foil faced stonewool insulation min. 40kg/m ³ (L/I 400mm)	EI 45 C/U
Steel 42-324mm Ø, 16mm wall thickness. 40mm thick foil faced stonewool insulation min. 40kg/m ³ (L/I 400mm)	EI 45 C/U
Steel 42-324mm Ø, 16mm wall thickness. 40mm thick foil faced stonewool insulation min. 40kg/m ³ (C/I)	EI 60 C/U
Steel or Copper Pipe 42mm Ø, 1.2mm – 14.2mm wall thickness FSi PST coating along the penetration 2mm DFT (L/I 300mm)	E 60 C/U EI 45 C/U
Steel or Copper Pipe 42-159mm Ø, 1.0mm – 14.2mm wall thickness FSi PST coating along the penetration 2mm DFT (L/I 300mm)	E 60 C/U EI 20 C/U
Steel 42-324mm Ø, 16mm wall thickness. 14.2mm wall thickness FSi PST coating along the penetration 2mm DFT (L/I 300mm)	E 60 C/U EI 45 C/U



Appendix UL-EU CERTIFICATE

Certificate No. UL-EU-00771-CPR
Page 98/157
Date of Issue 2015-04-19

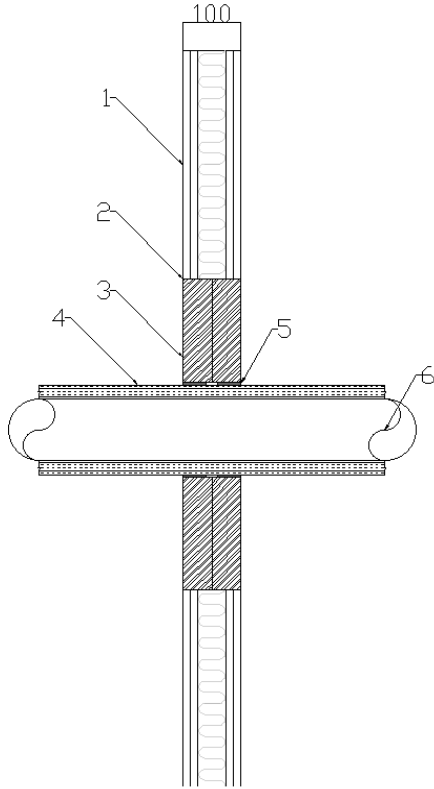
Permitted Pipe Diameter vs Pipe Wall Thickness



Appendix UL-EU CERTIFICATE

Certificate No. UL-EU-00771-CPR
 Page 99/157
 Date of Issue 2015-04-19

Max Aperture 730mm Wide x 1200mm High



- Key**
1. Supporting construction
 2. Pyrocoustic Sealant
 3. Stopseal Batt
 4. Insulation
 5. PipeBloc EL / PipeBloc PWP
 6. Penetration Service

Service(s)	Classification
¹ Steel or Copper Pipe 42-159mm Ø, 1.2mm – 14.2mm wall thickness. 13-25mm thick K Flex ST ² Insulation (C/S)	E 120 C/U EI 60 C/U
¹ Steel or Copper Pipe 42mm Ø, 1 – 14.2mm wall thickness. 25-13mm thick K Flex ST ² insulation (C/S)	E 120 C/U EI 90 C/U
¹ Steel or Copper Pipe 42-108mm Ø, 1.2 – 14.2mm wall thickness. 25 -40mm thick Kingspan Kooltherm FM3 insulation (C/S)	E 120 C/U EI 60 C/U
¹ Steel or Copper Pipe 42mm Ø, 1–14.2mm wall thickness. 25 -40mm thick Kingspan Kooltherm FM ³ insulation (C/S)	E 120 C/U EI 90 C/U
¹ Steel or Copper Pipe 42mm Ø, 1.0–14.2mm wall thickness. 50mm thick glassfibre insulation (C/S)	E 120 C/U EI 90 C/U

¹ 2 x 2mm thick layers of PipeBloc EL / PipeBloc PWP installed both sides of the Stopseal Fire Batt

² Or equivalent elastomeric pipe insulation classified BL – s2, d0 or better to EN 13501-1

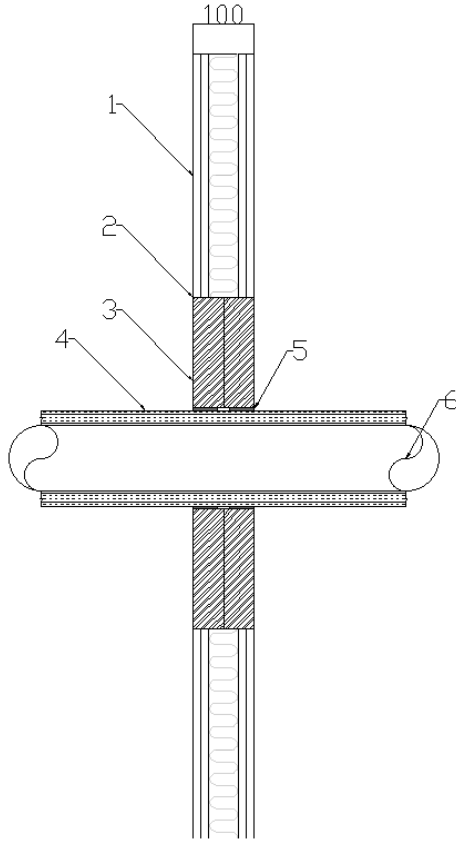
³ Or equivalent Phenolic foam pipe insulation classified BL – s1, d0 or better to EN 13501-1



Appendix UL-EU CERTIFICATE

Certificate No. UL-EU-00771-CPR
 Page 100/157
 Date of Issue 2015-04-19

Max Aperture 2600mm Wide x 2600mm High



Key

1. Supporting construction
2. Pyrocoustic Sealant
3. Stopseal Batt
4. Insulation
5. PipeBloc EL / PipeBloc PWP
6. Penetration Service

Service(s)

Classification

¹ Steel or Copper Pipe 42-159mm Ø, 1.2mm – 14.2mm wall thickness. 13-25mm thick K Flex ST ² Insulation (C/S)	EI 60 C/U
¹ Steel or Copper Pipe 42mm Ø, 1 – 14.2mm wall thickness. 25-13mm thick K Flex ST ² insulation (C/S)	EI 60 C/U
¹ Steel or Copper Pipe 42-108mm Ø, 1.2 – 14.2mm wall thickness. 25 -40mm thick Kingspan Kooltherm FM ³ insulation (C/S)	EI 60 C/U
¹ Steel or Copper Pipe 42mm Ø, 1–14.2mm wall thickness. 25 -40mm thick Kingspan Kooltherm FM ³ insulation (C/S)	EI 60 C/U
¹ Steel or Copper Pipe 42mm Ø, 1.2–14.2mm wall thickness. 50mm thick glassfibre insulation (C/S)	EI 60 C/U

¹2 x 2mm thick layers of PipeBloc EL / PipeBloc PWP installed both sides of the Stopseal Fire Batt

²Or equivalent elastomeric pipe insulation classified BL – s2, d0 or better to EN 13501-1

³Or equivalent Phenolic foam pipe insulation classified BL – s1, d0 or better to EN 13501-1

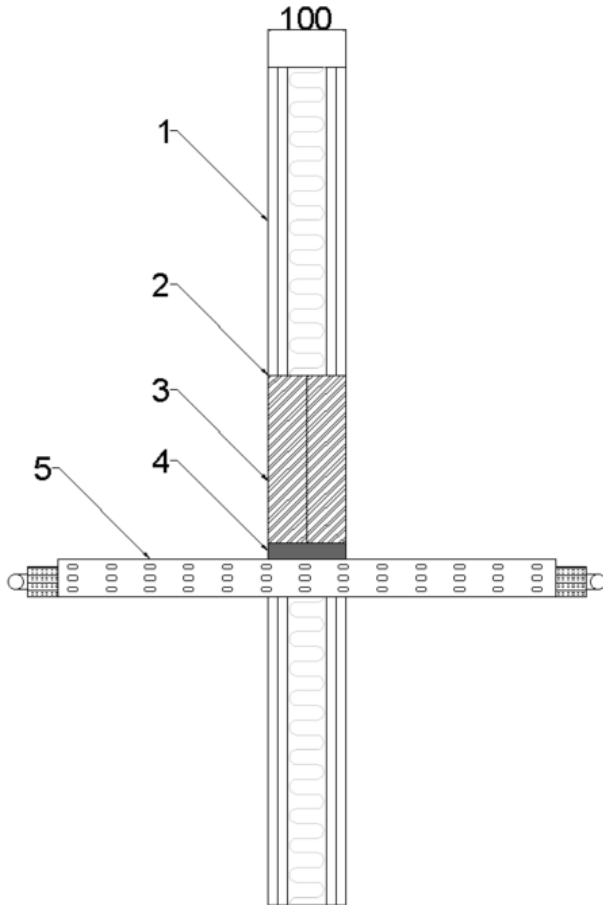


Appendix UL-EU CERTIFICATE

Certificate No. UL-EU-00771-CPR
 Page 101/157
 Date of Issue 2015-04-19

Max Aperture 730mm Wide x 1200mm High

Zero distance to bottom of seal



Key

1. Supporting construction
2. Pyrocoustic Sealant
3. Stopseal Batt
4. Pyropro HPE
5. Penetration Service

Service(s)

Classification

¹ 6 off Steel or Copper Pipe 22mm Ø, 0.9mm – 14.2mm wall thickness. 19mm thick Armaflex² (L/S 400mm)

EI 90 C/U

¹500mm steel cable tray

E 90
EI 15

¹Pyropro HPE 20mm annulus full 50mm depth of the Stopseal Coated Batt

²Or equivalent elastomeric pipe insulation classified BL – s2, d0 or better to EN 13501-1

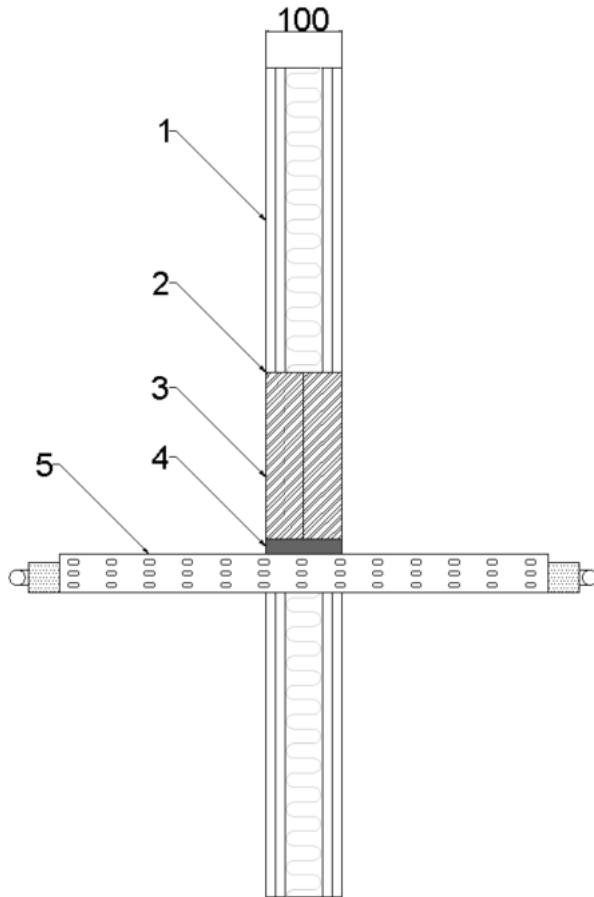


Appendix UL-EU CERTIFICATE

Certificate No. UL-EU-00771-CPR
 Page 102/157
 Date of Issue 2015-04-19

Max Aperture 2600mm Wide x 2600mm High

Zero distance to bottom of seal



Key

1. Supporting construction
2. Pyrocoustic Sealant
3. Stopseal Batt
4. Pyropro HPE
5. Penetration Service

Service(s)

Classification

¹ 6 off Steel or Copper Pipe 22mm Ø, 0.9mm – 14.2mm wall thickness. 19mm thick Armaflex² (L/S 400mm)

EI 60 C/U

¹500mm steel cable tray

E 60
EI 15

¹Pyropro HPE 20mm annulus full 50mm depth of the Stopseal Coated Batt

²Or equivalent elastomeric pipe insulation classified BL – s2, d0 or better to EN 13501-1



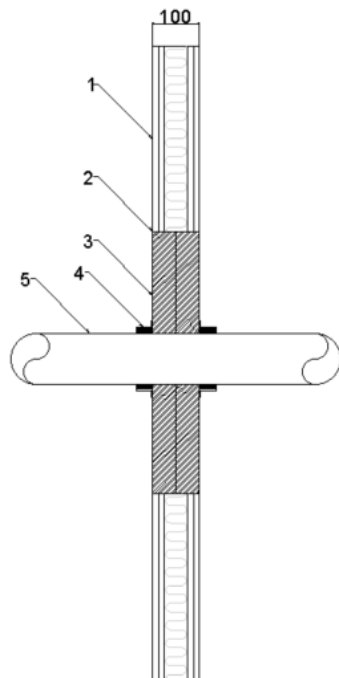
Appendix UL-EU CERTIFICATE

Certificate No. UL-EU-00771-CPR
 Page 103/157
 Date of Issue 2015-04-19

Double Layer Stopseal Fire Batt 50mm, Plastic Pipes

Max Aperture 730mm Wide x 1200mm High

(Penetrations positioned as per option 1 or 2 below, 0mm distance between services and 50mm to edge of seal)
 Collars secured both faces of the substrate utilising 80mm long steel pig tail screw through to Stopseal Fire Batt



Key

1. Supporting construction
2. Pyrocoustic Sealant
3. Stopseal Batt
4. PipeBloc PCP
5. Penetration Service

Service(s)	PipeBloc PCP Ref	Classification
PVC Pipe 32mm Ø, 1.8mm wall thickness	32mm	EI 120 U/C
PVC Pipe 40mm Ø, 1.8mm wall thickness	40mm	
PVC Pipe 50mm Ø, 1.8mm wall thickness	50mm	
PVC Pipe 55mm Ø, 1.8-2.3mm wall thickness	55mm	
PVC Pipe 63mm Ø, 2.3-3mm wall thickness	63mm	
PVC Pipe 75mm Ø, 3.1-4.8mm wall thickness	75mm	
PVC Pipe 82mm Ø, 3.1-4.8mm wall thickness	82mm	
PVC Pipe 90mm Ø, 4.2-7.4mm wall thickness	90mm	
PVC Pipe 100mm Ø, 4.2-7.4mm wall thickness	100mm	
PVC Pipe 110mm Ø, 4.2-7.4mm wall thickness	110mm	
PVC Pipe 125mm Ø, 6mm wall thickness	125mm	
PVC Pipe 140mm Ø, 6.1-7.5mm wall thickness	140mm	

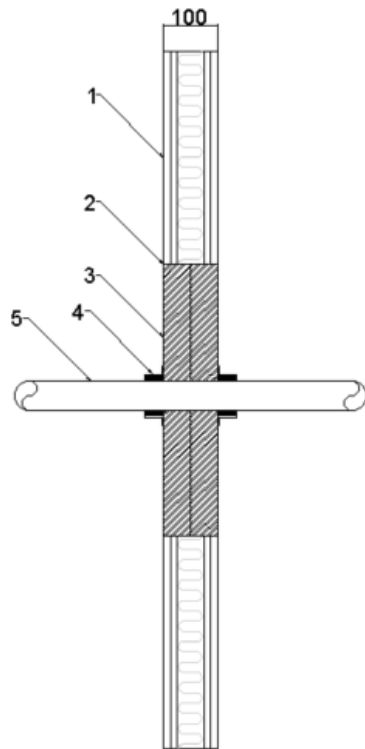


Appendix UL-EU CERTIFICATE

Certificate No. UL-EU-00771-CPR
 Page 104/157
 Date of Issue 2015-04-19

Max Aperture 2600mm Wide x 2600mm High

(Penetrations positioned as per option 1 or 2 below, 0mm distance between services and 50mm to edge of seal)
 Collars secured both faces of the substrate utilising 80mm long steel pig tail screw through to Stopseal Fire Batt



Key

1. Supporting construction
2. Pyrocoustic Sealant
3. Stopseal Batt
4. PipeBloc PCP
5. Penetration Service

Service(s)	PipeBloc PCP Ref	Classification
PVC Pipe 32mm Ø, 1.8mm wall thickness	32mm	EI 60 U/C
PVC Pipe 40mm Ø, 1.8mm wall thickness	40mm	
PVC Pipe 50mm Ø, 1.8mm wall thickness	50mm	
PVC Pipe 55mm Ø, 1.8-2.3mm wall thickness	55mm	
PVC Pipe 63mm Ø, 2.3-3mm wall thickness	63mm	
PVC Pipe 75mm Ø, 3.1-4.8mm wall thickness	75mm	
PVC Pipe 82mm Ø, 3.1-4.8mm wall thickness	82mm	
PVC Pipe 90mm Ø, 4.2-7.4mm wall thickness	90mm	
PVC Pipe 100mm Ø, 4.2-7.4mm wall thickness	100mm	
PVC Pipe 110mm Ø, 4.2-7.4mm wall thickness	110mm	
PVC Pipe 125mm Ø, 6mm wall thickness	125mm	
PVC Pipe 140mm Ø, 6.1-7.5mm wall thickness	140mm	
PVC Pipe 160mm Ø, 6.2-9.5mm wall thickness	160mm	

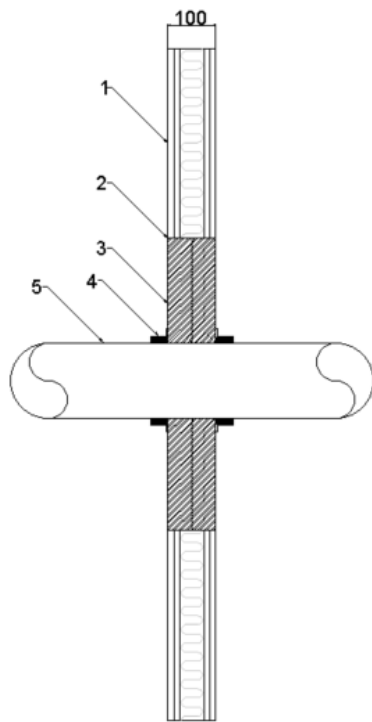


Appendix UL-EU CERTIFICATE

Certificate No. UL-EU-00771-CPR
 Page 105/157
 Date of Issue 2015-04-19

Max Aperture 730mm Wide x 1200mm High

(Penetrations positioned as per option 1 or 2 below, 0mm distance between services and 50mm to edge of seal)
 Collars secured both faces of the substrate utilising 80mm long steel pig tail screw through to Stopseal Fire Batt



Key

1. Supporting construction
2. Pyrocoustic Sealant
3. Stopseal Batt
4. PipeBloc PCP
5. Penetration Service

Service(s)	PipeBloc PCP Ref	Classification
PP Pipe 32mm Ø, 2.9mm wall thickness	32mm	EI 120 U/C
PP Pipe 40mm Ø, 2.9mm wall thickness	40mm	
PP Pipe 50mm Ø, 2.9mm wall thickness	50mm	
PP Pipe 55mm Ø, 2.9-4.4mm wall thickness	55mm	
PP Pipe 63mm Ø, 2.9-4.4mm wall thickness	63mm	
PP Pipe 75mm Ø, 2.8-6.7mm wall thickness	75mm	
PP Pipe 82mm Ø, 2.8-6.7mm wall thickness	82mm	
PP Pipe 90mm Ø, 2.7-10mm wall thickness	90mm	
PP Pipe 100mm Ø, 2.7-10mm wall thickness	100mm	
PP Pipe 110mm Ø, 2.7-10mm wall thickness	110mm	
PP Pipe 125mm Ø, 3.1mm wall thickness	125mm	
PP Pipe 140mm Ø, 3.5-8mm wall thickness	140mm	
PP Pipe 160mm Ø, 4-14.6mm wall thickness	160mm	

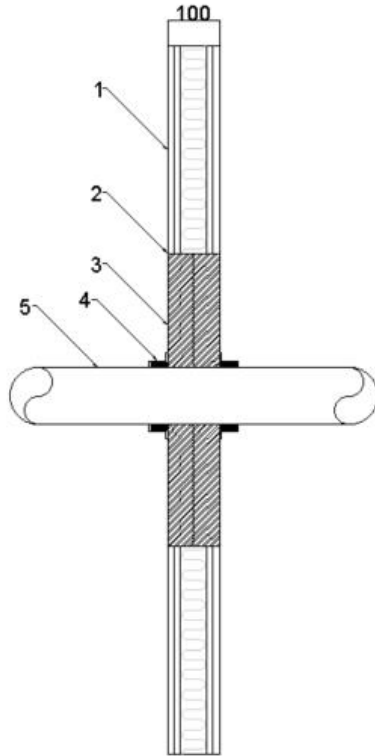


Appendix UL-EU CERTIFICATE

Certificate No. UL-EU-00771-CPR
 Page 106/157
 Date of Issue 2015-04-19

Max Aperture 2600mm Wide x 2600mm High

(Penetrations positioned as per option 1 or 2 below, 0mm distance between services and 50mm to edge of seal)
 Collars secured both faces of the substrate utilising 80mm long steel pig tail screw through to Stopseal Fire Batt



Key

1. Supporting construction
2. Pyrocoustic Sealant
3. Stopseal Batt
4. PipeBloc PCP
5. Penetration Service

Service(s)	PipeBloc PCP Ref	Classification
PP Pipe 32mm Ø, 2.9mm wall thickness	32mm	EI 60 U/C
PP Pipe 40mm Ø, 2.9mm wall thickness	40mm	
PP Pipe 50mm Ø, 2.9mm wall thickness	50mm	
PP Pipe 55mm Ø, 2.9-4.4mm wall thickness	55mm	
PP Pipe 63mm Ø, 2.9-4.4mm wall thickness	63mm	
PP Pipe 75mm Ø, 2.8-6.7mm wall thickness	75mm	
PP Pipe 82mm Ø, 2.8-6.7mm wall thickness	82mm	
PP Pipe 90mm Ø, 2.7-10mm wall thickness	90mm	
PP Pipe 100mm Ø, 2.7-10mm wall thickness	100mm	
PP Pipe 110mm Ø, 2.7-10mm wall thickness	110mm	
PP Pipe 125mm Ø, 3.1mm wall thickness	125mm	
PP Pipe 140mm Ø, 3.5-8mm wall thickness	140mm	
PP Pipe 160mm Ø, 4-14.6mm wall thickness	160mm	

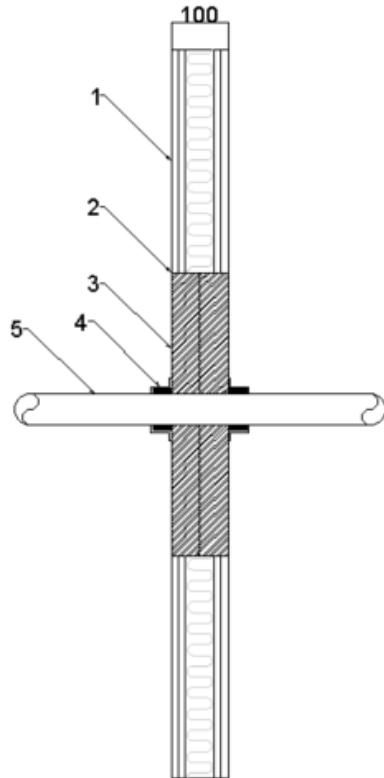


Appendix UL-EU CERTIFICATE

Certificate No. UL-EU-00771-CPR
 Page 107/157
 Date of Issue 2015-04-19

Max Aperture 730mm Wide x 1200mm High

(Penetrations positioned as per option 1 or 2 below, 0mm distance between services and 50mm to edge of seal)
 Collars secured both faces of the substrate utilising 80mm long steel pig tail screw through to Stopseal Fire Batt



Key

1. Supporting construction
2. Pyrocoustic Sealant
3. Stopseal Batt
4. PipeBloc PCP
5. Penetration Service

Service(s)	PipeBloc PCP Ref	Classification
PE Pipe 32mm Ø, 2.9mm wall thickness	32mm	EI 120 U/C
PE Pipe 40mm Ø, 2.9mm wall thickness	40mm	
PE Pipe 50mm Ø, 2.9mm wall thickness	50mm	
PE Pipe 55mm Ø, 2.9-4.4mm wall thickness	55mm	
PE Pipe 63mm Ø, 2.9-4.4mm wall thickness	63mm	
PE Pipe 75mm Ø, 2.8-6.7mm wall thickness	75mm	
PE Pipe 82mm Ø, 2.8-6.7mm wall thickness	82mm	
PE Pipe 90mm Ø, 2.7-10mm wall thickness	90mm	
PE Pipe 100mm Ø, 2.7-10mm wall thickness	100mm	
PE Pipe 110mm Ø, 2.7-10mm wall thickness	110mm	
PE Pipe 125mm Ø, 3.1mm wall thickness	125mm	
PE Pipe 140mm Ø, 3.9-5.8mm wall thickness	140mm	
PE Pipe 160mm Ø, 4.9-9.5mm wall thickness	160mm	

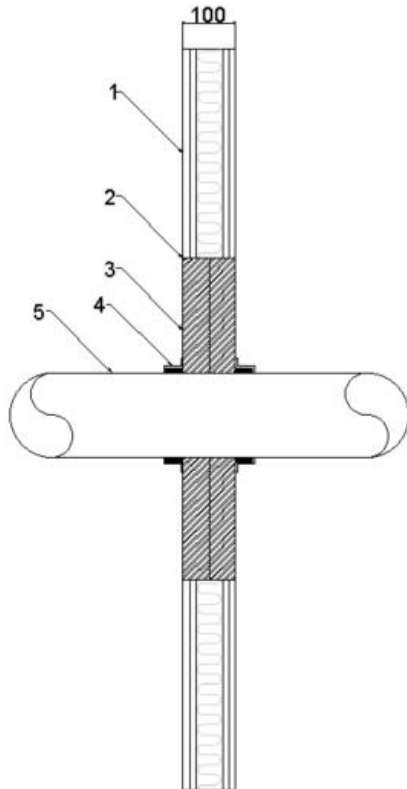


Appendix UL-EU CERTIFICATE

Certificate No. UL-EU-00771-CPR
 Page 108/157
 Date of Issue 2015-04-19

Max Aperture 2600mm Wide x 2600mm High

(Penetrations positioned as per option 1 or 2 below, 0mm distance between services and 50mm to edge of seal)
 Collars secured both faces of the substrate utilising 80mm long steel pig tail screw through to Stopseal Fire Batt



Key

1. Supporting construction
2. Pyrocoustic Sealant
3. Stopseal Batt
4. PipeBloc PCP
5. Penetration Service

Service(s)	PipeBloc PCP Ref	Classification
PE Pipe 32mm Ø, 2.9mm wall thickness	32mm	EI 60 U/C
PE Pipe 40mm Ø, 2.9mm wall thickness	40mm	
PE Pipe 50mm Ø, 2.9mm wall thickness	50mm	
PE Pipe 55mm Ø, 2.9-4.4mm wall thickness	55mm	
PE Pipe 63mm Ø, 2.9-4.4mm wall thickness	63mm	
PE Pipe 75mm Ø, 2.8-6.7mm wall thickness	75mm	
PE Pipe 82mm Ø, 2.8-6.7mm wall thickness	82mm	
PE Pipe 90mm Ø, 2.7-10mm wall thickness	90mm	
PE Pipe 100mm Ø, 2.7-10mm wall thickness	100mm	
PE Pipe 110mm Ø, 2.7-10mm wall thickness	110mm	
PE Pipe 125mm Ø, 3.1mm wall thickness	125mm	
PE Pipe 140mm Ø, 3.9-5.8mm wall thickness	140mm	
PE Pipe 160mm Ø, 4.9-9.5mm wall thickness	160mm	

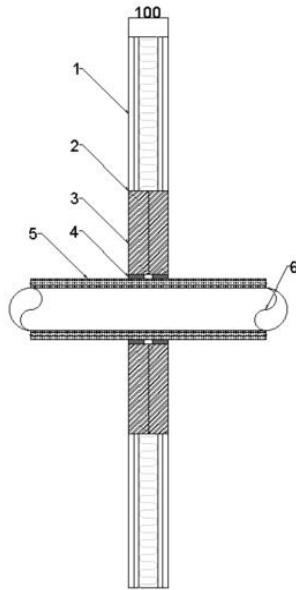


Appendix UL-EU CERTIFICATE

Certificate No. UL-EU-00771-CPR
 Page 109/157
 Date of Issue 2015-04-19

Double Layer Stopseal Fire Batt 50mm, Insulated Plastic Pipes

Max Aperture 730mm Wide x 1200mm High
 (Penetrations positioned as per option 1 or 2 below, 100mm distance between services and 50mm to edge of seal)



Key

1. Supporting construction
2. Pyrocoustic Sealant
3. Stopseal Batt
4. PipeBloc EL / PipeBloc PWP
5. Insulation
6. Penetration Service

Service(s)	PipeBloc EL / PipeBloc PWP Ref	Classification
PVC Pipe 40mm Ø, 1.9mm wall thickness. 25 mm thick Kingspan Kooltherm FM ³ insulation (C/S)	3 x 2mm thickness	E 120 U/C EI 90 U/C
PVC Pipe 40mm Ø, 3mm wall thickness. 15 mm thick Kingspan Kooltherm FM ³ insulation (C/S)	3 x 2mm thickness	EI 120 U/C
PVC Pipe 110mm Ø, 4.2mm wall thickness. 25 mm thick Kingspan Kooltherm FM ³ insulation (C/S)	5 x 2mm thickness	E 120 U/C EI 90 U/C
PVC Pipe 110mm Ø, 6.6mm wall thickness. 20 mm thick Kingspan Kooltherm FM ³ insulation (C/S)	3 x 2mm thickness	EI 120 U/C
PVC Pipe 40mm Ø, 1.9mm wall thickness. 32 mm thick Armacell Armaflex Class O ² (C/S)	3 x 2mm thickness	EI 120 U/C
PVC Pipe 40mm Ø, 3mm wall thickness. 9 mm thick Armacell Armaflex Class O ² (C/S)	3 x 2mm thickness	EI 120 U/C
PVC Pipe 110mm Ø, 4.2mm wall thickness. 32 mm thick Armacell Armaflex Class O ² (C/S)	5 x 2mm thickness	EI 120 U/C
PVC Pipe 110mm Ø, 6.6mm wall thickness. 13 mm thick Armacell Armaflex Class O ² (C/S)	5 x 2mm thickness	EI 120 U/C

¹PipeBloc EL / PipeBloc PWP secured internally within both faces of the Stopseal Fire Batt

²Or equivalent elastomeric pipe insulation classified BL – s2, d0 or better to EN 13501-1

³Or equivalent Phenolic foam pipe insulation classified BL – s1, d0 or better to EN 13501-1

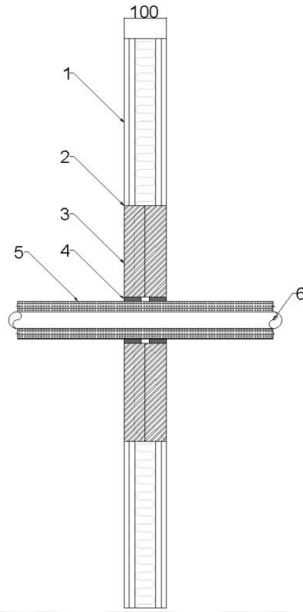


Appendix UL-EU CERTIFICATE

Certificate No. UL-EU-00771-CPR
 Page 110/157
 Date of Issue 2015-04-19

Max Aperture 2600mm Wide x 2600mm High

(Penetrations positioned as per option 1 or 2 below, 100mm distance between services and 50mm to edge of seal)



Key

1. Supporting construction
2. Pyrocoustic Sealant
3. Stopseal Batt
4. PipeBloc EL / PipeBloc PWP
5. Insulation
6. Penetration Service

Service(s)	PipeBloc EL / PipeBloc PWP Ref	Classification
PVC Pipe 40mm Ø, 1.9mm wall thickness. 25 mm thick Kingspan Kooltherm FM ³ insulation (C/S)	3 x 2mm thickness	EI 60 U/C
PVC Pipe 40mm Ø, 3mm wall thickness. 15 mm thick Kingspan Kooltherm FM ³ insulation (C/S)	3 x 2mm thickness	
PVC Pipe 110mm Ø, 4.2mm wall thickness. 25 mm thick Kingspan Kooltherm FM ³ insulation (C/S)	5 x 2mm thickness	EI 60 U/C
PVC Pipe 110mm Ø, 6.6mm wall thickness. 20 mm thick Kingspan Kooltherm FM ³ insulation (C/S)	5 x 2mm thickness	EI 60 U/C
PVC Pipe 40mm Ø, 1.9mm wall thickness. 32 mm thick Armacell Armaflex Class O ² (C/S)	3 x 2mm thickness	EI 60 U/C
PVC Pipe 40mm Ø, 3mm wall thickness. 9 mm thick Armacell Armaflex Class O ² (C/S)	3 x 2mm thickness	
PVC Pipe 110mm Ø, 4.2mm wall thickness. 32 mm thick Armacell Armaflex Class O ² (C/S)	5 x 2mm thickness	EI 60 U/C
PVC Pipe 110mm Ø, 6.6mm wall thickness. 13 mm thick Armacell Armaflex Class O ² (C/S)	5 x 2mm thickness	EI 60 U/C

¹PipeBloc EL / PipeBloc PWP secured internally within both faces of the Stopseal Fire Batt

²Or equivalent elastomeric pipe insulation classified BL – s2, d0 or better to EN 13501-1

³Or equivalent Phenolic foam pipe insulation classified BL – s1, d0 or better to EN 13501-1

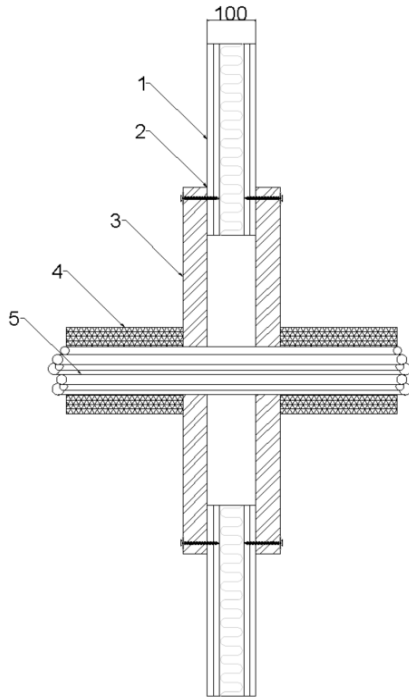


Appendix UL-EU CERTIFICATE

Certificate No. UL-EU-00771-CPR
 Page 111/157
 Date of Issue 2015-04-19

Single Layer Patress, Stopseal Fire Batt 50mm, Electrical Cables and Conduits

Max Aperture 730mm Wide x 1200mm High



- Key**
1. Supporting construction
 2. Pyrocoustic Sealant
 3. Stopseal Batt
 4. Insulation
 5. Penetration Service

Service(s)	Classification
² Electrical cables up to 80mm Ø	EI 120
² Cable Trays and Ladders	
² 100 mm diameter bundle telecommunication cable type "F"	
² Unsheathed electrical cables up to 24mm Ø	
² Steel or Copper Conduits up to 16mm Ø	
² Plastic conduits up to 16mm Ø	

¹Patress installation of Stopseal Coated Batt. The Batts are installed in horizontal rows and fixed in minimum two vertical edges. Overlap of batts to substrate min 100mm. Batts mechanically fixed to substrate with min 6mm x 80mm steel screws and steel retaining washer. Fixings installed at max 300mm centres

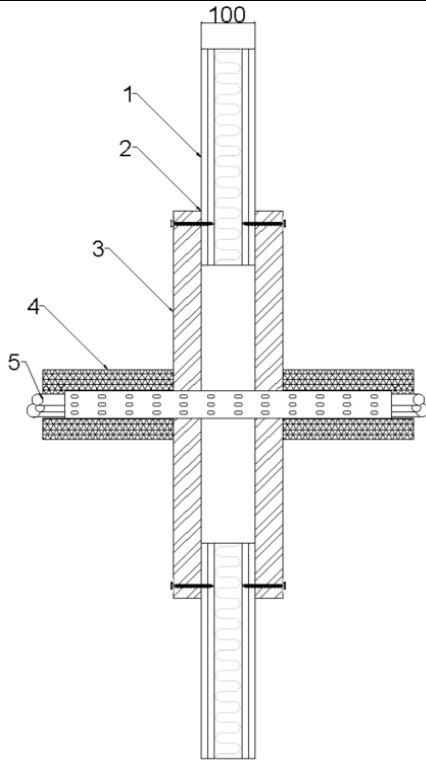
²Cables and cable trays wrapped with a single layer of 40mm thick, 40kg/m³ Stonewool (L/I 300mm)



Appendix UL-EU CERTIFICATE

Certificate No. UL-EU-00771-CPR
 Page 112/157
 Date of Issue 2015-04-19

Max Aperture 2600mm Wide x 2600mm High



Key

1. Supporting construction
2. Pyrocoustic Sealant
3. Stopseal Batt
4. Insulation
5. Penetration Service

Service(s)

Classification

²Electrical cables upto 80mm Ø

²Cable Trays and Ladders

²100 mm diameter bundle telecommunication cable type "F"

²Unsheathed electrical cables up to 24mm Ø

²Steel or Copper Conduits up to 16mm Ø

²Plastic conduits up to 16mm Ø

EI 60

¹Press installation of Stopseal Coated Batt. The Batts are installed in horizontal rows and fixed in minimum two vertical edges. Overlap of batts to substrate min 100mm. Batts mechanically fixed to substrate with min 6mm x 80mm steel screws and steel retaining washer. Fixings installed at max 300mm centres

²Cables and cable trays wrapped with a single layer of 40mm thick, 40kg/m³ Stonewool (L/I 300mm)

27-CP-F0855 Issue: 3.1



Appendix UL-EU CERTIFICATE

Certificate No. UL-EU-00771-CPR
 Page 113/157
 Date of Issue 2015-04-19

Single Layer Patress, Stopseal Fire Batt 50mm, Insulated Metallic Pipes

Max Aperture 730mm Wide x 1200mm High	
	Key 1. Supporting construction 2. Pyrocoustic Sealant 3. Stopseal Batt 4. PipeBloc EL / PipeBloc PWP 5. Insulation 6. Penetration Service
Service(s)	Classification
² Steel or Copper Pipe 42-159mm Ø, 1.2mm – 14.2mm wall thickness. 13-25mm thick K Flex ST ³ Insulation (C/S)	E 120 C/U EI 60 C/U
² Steel or Copper Pipe 42mm Ø, 1.2 – 14.2mm wall thickness. 13-25mm thick K Flex ST ³ insulation (C/S)	E 120 C/U EI 90 C/U
² Steel or Copper Pipe 42-108mm Ø, 1.2 – 14.2mm wall thickness. 25 -40mm thick Kingspan Kooltherm FM ⁴ insulation (C/S)	E 120 C/U EI 60 C/U
² Steel or Copper Pipe 42mm Ø, 1.2–14.2mm wall thickness. 25 -40mm thick Kingspan Kooltherm FM ⁴ insulation (C/S)	E 120 C/U EI 90 C/U
² Steel or Copper Pipe 42mm Ø, 1.2–14.2mm wall thickness. 50mm thick glassfibre insulation min. 30kg/m ³ (C/S)	E 120 C/U EI 90 C/U

¹Patress installation of Stopseal Coated Batt. The Batts are installed in horizontal rows and fixed in minimum two vertical edges. Overlap of batts to substrate min 100mm. Batts mechanically fixed to substrate with min 6mm x 80mm steel screws and steel retaining washer. Fixings installed at max 300mm centres.

²2 x 2mm thick layers of PipeBloc EL / PipeBloc PWP installed both sides of the substrate within the patress installation

³Or equivalent elastomeric pipe insulation classified BL – s2, d0 or better to EN 13501-1

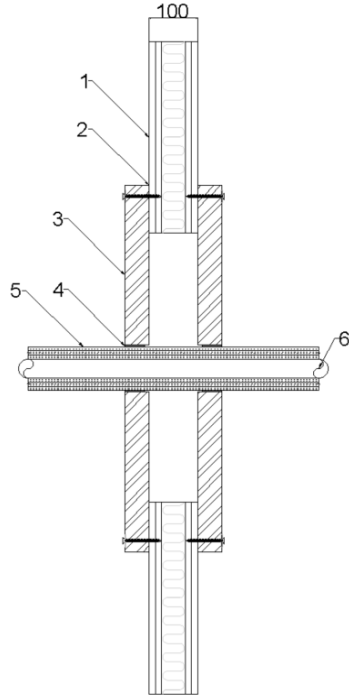
⁴Or equivalent Phenolic foam pipe insulation classified BL – s1, d0 or better to EN 13501-1



Appendix UL-EU CERTIFICATE

Certificate No. UL-EU-00771-CPR
 Page 114/157
 Date of Issue 2015-04-19

Max Aperture 2600mm Wide x 2600mm High



- Key**
1. Supporting construction
 2. Pyrocoustic Sealant
 3. Stopseal Batt
 4. PipeBloc EL / PipeBloc PWP
 5. Insulation
 6. Penetration Service

Service(s)	Classification
² Steel or Copper Pipe 42-159mm Ø, 1.2mm – 14.2mm wall thickness. 13-25mm thick K Flex ST ³ Insulation (C/S)	EI 60 C/U
² Steel or Copper Pipe 42-159mm Ø, 1.2 – 14.2mm wall thickness. 25mm thick K Flex ST ³ insulation (C/S)	
² Steel or Copper Pipe 42mm Ø, 1 – 14.2mm wall thickness. 25-13mm thick K Flex ST ³ insulation (C/S)	
² Steel or Copper Pipe 42-108mm Ø, 1.2 – 14.2mm wall thickness. 25 -40mm thick Kingspan Kooltherm FM ⁴ insulation (C/S)	
² Steel or Copper Pipe 42mm Ø, 1-14.2mm wall thickness. 25 -40mm thick Kingspan Kooltherm FM ⁴ insulation (C/S)	
² Steel or Copper Pipe 42mm Ø, 1.2-14.2mm wall thickness. 50mm thick glassfibre insulation min. 30kg/m ³ (C/S)	

¹Patress installation of Stopseal Coated Batt. The Batts are installed in horizontal rows and fixed in minimum two vertical edges. Overlap of batts to substrate min 100mm. Batts mechanically fixed to substrate with min 6mm x 80mm steel screws and steel retaining washer. Fixings installed at max 300mm centres.

² 2 x 2mm thick layers of PipeBloc EL / PipeBloc PWP installed both sides of the substrate within the patress installation

³Or equivalent elastomeric pipe insulation classified BL – s2, d0 or better to EN 13501-1

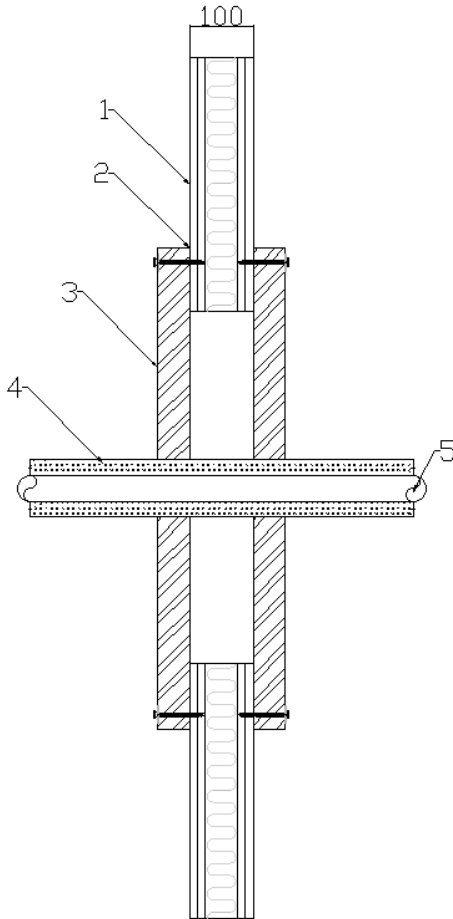
⁴Or equivalent Phenolic foam pipe insulation classified BL – s1, d0 or better to EN 13501-1



Appendix UL-EU CERTIFICATE

Certificate No. UL-EU-00771-CPR
 Page 115/157
 Date of Issue 2015-04-19

Max Aperture 730mm Wide x 1200mm High



- Key
1. Supporting construction
 2. Pyrocoustic Sealant
 3. Stopseal Batt
 4. Insulation
 5. Penetration Service

Service(s)	Classification
Steel or Copper Pipe 42-159mm Ø, 2mm – 14.2mm wall thickness. 25mm thick foil faced glassfibre insulation min. 30kg/m ³ (C/S)	E 120 C/U EI 45 C/U
Steel or Copper Pipe 42mm Ø, 1mm – 14.2mm wall thickness. 25mm thick foil faced glassfibre insulation min. 30kg/m ³ (C/S)	E 120 C/U EI 60 C/U

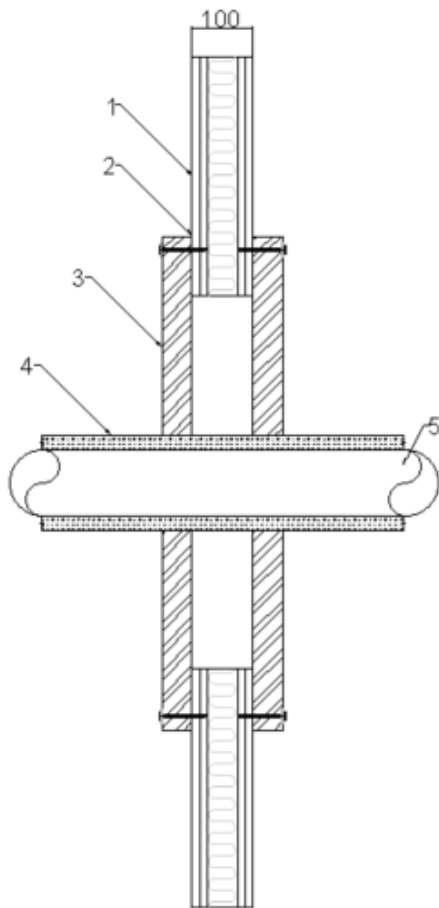
¹Patress installation of Stopseal Coated Batt. The Batts are installed in horizontal rows and fixed in minimum two vertical edges. Overlap of batts to substrate min 100mm. Batts mechanically fixed to substrate with min 6mm x 80mm steel screws and steel retaining washer. Fixings installed at max 300mm centres.



Appendix UL-EU CERTIFICATE

Certificate No. UL-EU-00771-CPR
 Page 116/157
 Date of Issue 2015-04-19

Max Aperture 2600mm Wide x 2600mm High



Key

1. Supporting construction
2. Pyrocoustic Sealant
3. Stopseal Batt
4. Insulation
5. Penetration Service

Service(s)	Classification
Steel or Copper Pipe 42-159mm Ø, 2mm – 14.2mm wall thickness. 25mm thick foil faced glassfibre insulation min. 30kg/m ³ (C/S)	E 60 C/U EI 45 C/U
Steel or Copper Pipe 42mm Ø, 1mm – 14.2mm wall thickness. 25mm thick foil faced glassfibre insulation min. 30kg/m ³ (C/S)	E 60 C/U EI 60 C/U

¹Patress installation of Stopseal Coated Batt. The Batts are installed in horizontal rows and fixed in minimum two vertical edges. Overlap of batts to substrate min 100mm. Batts mechanically fixed to substrate with min 6mm x 80mm steel screws and steel retaining washer. Fixings installed at max 300mm centres.

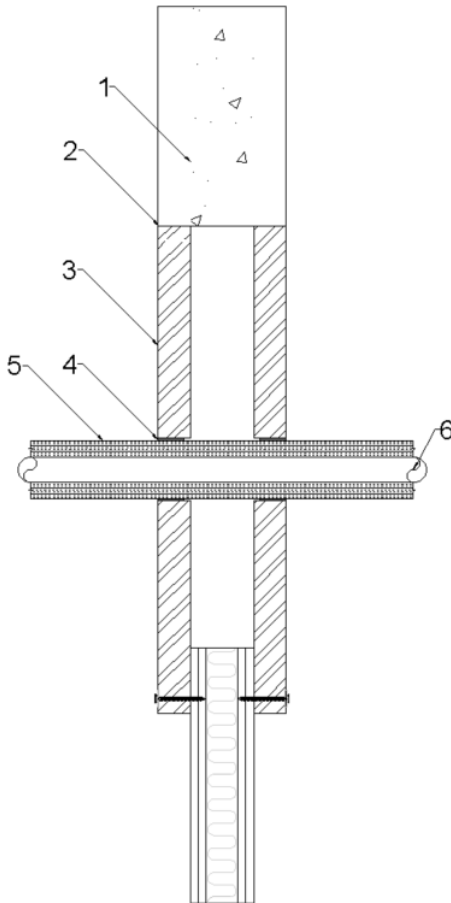


Appendix UL-EU CERTIFICATE

Certificate No. UL-EU-00771-CPR
 Page 117/157
 Date of Issue 2015-04-19

Max Aperture 730mm Wide x 1200mm High

30mm overlap patress installed flush to soffit



Key

1. Supporting construction
2. Pyrocoustic Sealant
3. Stopseal Batt
4. PipeBloc EL / PipeBloc PWP
5. Insulation
6. Penetration Service

Service(s)

Classification

Steel or Copper Pipe 42mm Ø, 1.0mm – 14.2mm wall thickness. 50mm thick Kingspan³ (C/S 400mm)

EI 60 C/U

¹Patress installation of Stopseal Coated Batt. The Batts are installed in horizontal rows and fixed in minimum two vertical edges. Overlap of batts to substrate min 30mm. Batts mechanically fixed to substrate with min 6mm x 80mm steel screws and steel retaining washer. Fixings installed at max 300mm centres. No fixing is applied to the head flush to the soffit

² 2 x 2mm thick layers of PipeBloc EL / PipeBloc PWP installed both sides of the substrate within the patress installation

³Or equivalent Phenolic foam pipe insulation classified BL – s1, d0 or better to EN 13501-1

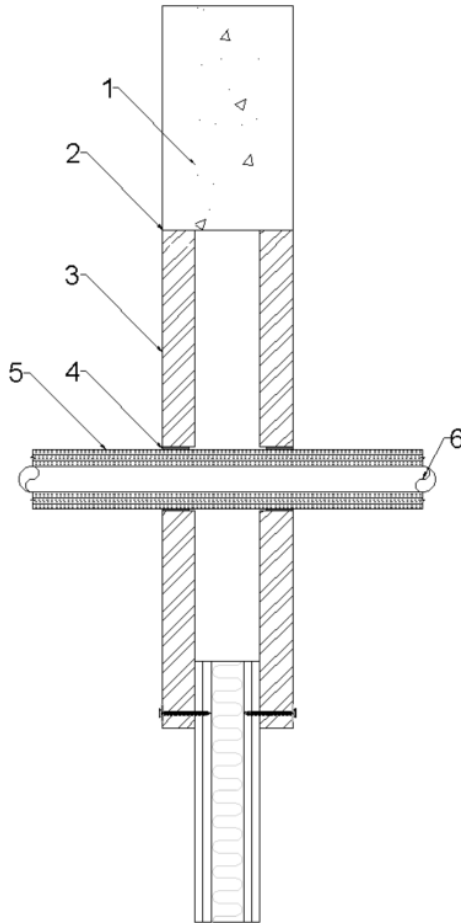


Appendix UL-EU CERTIFICATE

Certificate No. UL-EU-00771-CPR
 Page 118/157
 Date of Issue 2015-04-19

Max Aperture 2600mm Wide x 2600mm High

30mm overlap patress installed flush to soffit



Key

1. Supporting construction
2. Pyrocoustic Sealant
3. Stopseal Batt
4. PipeBloc EL / PipeBloc PWP
5. Insulation
6. Penetration Service

Service(s)

Classification

Steel or Copper Pipe 42mm Ø, 1.0mm – 14.2mm wall thickness. 50mm thick
 Kingspan³ (C/S 400mm)

EI 60 C/U

¹Patress installation of Stopseal Coated Batt. The Batts are installed in horizontal rows and fixed in minimum two vertical edges. Overlap of batts to substrate min 30mm. Batts mechanically fixed to substrate with min 6mm x 80mm steel screws and steel retaining washer. Fixings installed at max 300mm centres. No fixing is applied to the head flush to the soffit

² 2 x 2mm thick layers of PipeBloc EL / PipeBloc PWP installed both sides of the substrate within the patress installation

³Or equivalent Phenolic foam pipe insulation classified BL – s1, d0 or better to EN 13501-1



Appendix UL-EU CERTIFICATE

Certificate No. UL-EU-00771-CPR
 Page 119/157
 Date of Issue 2015-04-19

Single Layer Patress, Stopseal Fire Batt 50mm, Plastic Pipes

Max Aperture 2600mm Wide x 2600mm High (Penetrations positioned as per option 1 or 2 below, 0mm distance between services and 50mm to edge of seal)		
	<p><u>Key</u></p> <ol style="list-style-type: none"> 1. Supporting construction 2. Pyrocoustic Sealant 3. Stopseal Batt 4. PipeBloc PCP 5. Penetration Service 	
Service(s)	PipeBloc PCP Ref	Classification
PVC Pipe 32mm Ø, 1.8mm wall thickness	32mm	EI 60 U/C
PVC Pipe 40mm Ø, 1.8mm wall thickness	40mm	
PVC Pipe 50mm Ø, 1.8mm wall thickness	50mm	
PVC Pipe 55mm Ø, 1.8-2.3mm wall thickness	55mm	
PVC Pipe 63mm Ø, 2.3-3mm wall thickness	63mm	
PVC Pipe 75mm Ø, 3.1-4.8mm wall thickness	75mm	
PVC Pipe 82mm Ø, 3.1-4.8mm wall thickness	82mm	
PVC Pipe 90mm Ø, 4.2-7.4mm wall thickness	90mm	
PVC Pipe 100mm Ø, 4.2-7.4mm wall thickness	100mm	
PVC Pipe 110mm Ø, 4.2-7.4mm wall thickness	110mm	
PVC Pipe 125mm Ø, 6mm wall thickness	125mm	
PVC Pipe 140mm Ø, 6.1-7.5mm wall thickness	140mm	
PVC Pipe 160mm Ø, 6.2-9.5mm wall thickness	160mm	

Collars secured both faces of the substrate utilising 80mm long pig tail screw through to the Stopseal Fire Batt
¹Patress installation of Stopseal Coated Batt. The Batts are installed in horizontal rows and fixed in minimum two vertical edges.
 Overlap of batts to substrate min 100mm. Batts mechanically fixed to substrate with min 6mm x 80mm steel screws and steel retaining washer. Fixings installed at max 300mm centres.

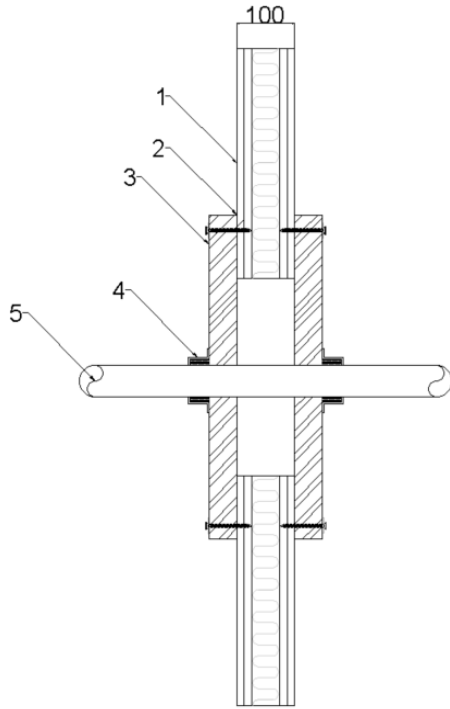
27-CP-F0855 Issue: 3.1



Appendix UL-EU CERTIFICATE

Certificate No. UL-EU-00771-CPR
 Page 120/157
 Date of Issue 2015-04-19

Max Aperture 730mm Wide x 1200mm High
 (Penetrations positioned as per option 1 or 2 below, 0mm distance between services and 50mm to edge of seal)



Key

1. Supporting construction
2. Pyrocoustic Sealant
3. Stopseal Batt
4. PipeBloc PCP
5. Penetration Service

Service(s)	PipeBloc PCP Ref	Classification
PVC Pipe 32mm Ø, 1.8mm wall thickness	32mm	EI 120 U/C
PVC Pipe 40mm Ø, 1.8mm wall thickness	40mm	
PVC Pipe 50mm Ø, 1.8mm wall thickness	50mm	
PVC Pipe 55mm Ø, 1.8-2.3mm wall thickness	55mm	
PVC Pipe 63mm Ø, 2.3-3mm wall thickness	63mm	
PVC Pipe 75mm Ø, 3.1-4.8mm wall thickness	75mm	
PVC Pipe 82mm Ø, 3.1-4.8mm wall thickness	82mm	
PVC Pipe 90mm Ø, 4.2-7.4mm wall thickness	90mm	
PVC Pipe 100mm Ø, 4.2-7.4mm wall thickness	100mm	
PVC Pipe 110mm Ø, 4.2-7.4mm wall thickness	110mm	
PVC Pipe 125mm Ø, 6mm wall thickness	125mm	
PVC Pipe 140mm Ø, 6.1-7.5mm wall thickness	140mm	
PVC Pipe 160mm Ø, 6.2-9.5mm wall thickness	160mm	

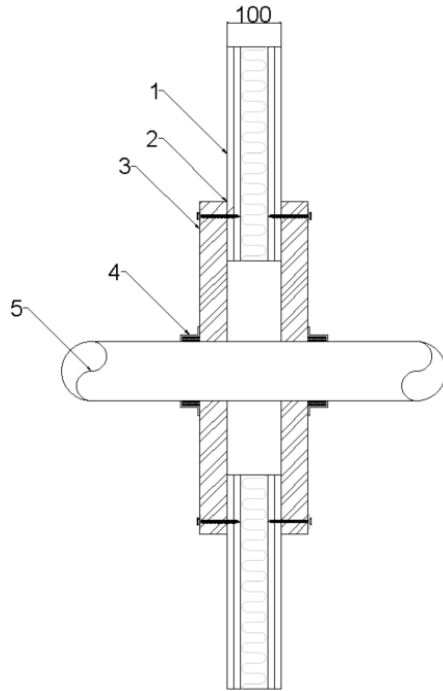
Collars secured both faces of the substrate utilising 80mm long pig tail screw through to the Stopseal Fire Batt
 1Patress installation of Stopseal Coated Batt. The Batts are installed in horizontal rows and fixed in minimum two vertical edges.
 Overlap of batts to substrate min 100mm. Batts mechanically fixed to substrate with min 6mm x 80mm steel screws and steel retaining washer. Fixings installed at max 300mm centres.



Appendix UL-EU CERTIFICATE

Certificate No. UL-EU-00771-CPR
 Page 121/157
 Date of Issue 2015-04-19

Max Aperture 730mm Wide x 1200mm High
 (Penetrations positioned as per option 1 or 2 below, 0mm distance between services and 50mm to edge of seal)



Key

1. Supporting construction
2. Pyrocoustic Sealant
3. Stopseal Batt
4. PipeBloc PCP
5. Penetration Service

Service(s)	PipeBloc PCP Ref	Classification
PP Pipe 32mm Ø, 2.9mm wall thickness	32mm	EI 120 U/C
PP Pipe 40mm Ø, 2.9mm wall thickness	40mm	
PP Pipe 50mm Ø, 2.9mm wall thickness	50mm	
PP Pipe 55mm Ø, 2.9-4.4mm wall thickness	55mm	
PP Pipe 63mm Ø, 2.9-4.4mm wall thickness	63mm	
PP Pipe 75mm Ø, 2.8-6.7mm wall thickness	75mm	
PP Pipe 82mm Ø, 2.8-6.7mm wall thickness	82mm	
PP Pipe 90mm Ø, 2.7-10mm wall thickness	90mm	
PP Pipe 100mm Ø, 2.7-10mm wall thickness	100mm	
PP Pipe 110mm Ø, 2.7-10mm wall thickness	110mm	
PP Pipe 125mm Ø, 3.1mm wall thickness	125mm	
PP Pipe 140mm Ø, 3.5-8mm wall thickness	140mm	
PP Pipe 160mm Ø, 4-14.6mm wall thickness	160mm	

Collars secured both faces of the substrate utilising 80mm long pig tail screw through to the Stopseal Fire Batt
¹Patress installation of Stopseal Coated Batt. The Batts are installed in horizontal rows and fixed in minimum two vertical edges.
 Overlap of batts to substrate min 100mm. Batts mechanically fixed to substrate with min 6mm x 80mm steel screws and steel retaining washer. Fixings installed at max 300mm centres.

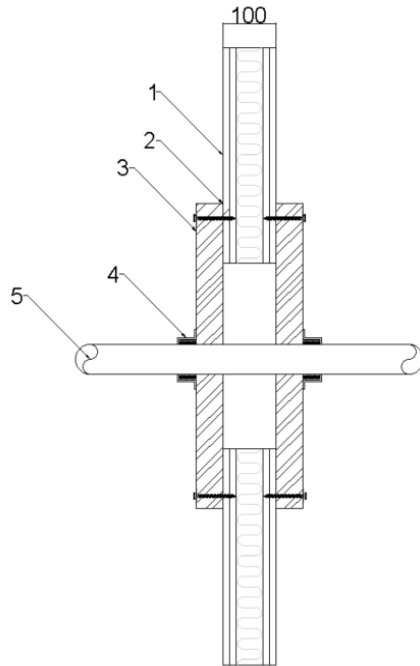


Appendix UL-EU CERTIFICATE

Certificate No. UL-EU-00771-CPR
 Page 122/157
 Date of Issue 2015-04-19

Max Aperture 2600mm Wide x 2600mm High

(Penetrations positioned as per option 1 or 2 below, 0mm distance between services and 50mm to edge of seal)



Key

1. Supporting construction
2. Pyrocastic Sealant
3. Stopseal Batt
4. PipeBloc PCP
5. Penetration Service

Service(s)	PipeBloc PCP Ref	Classification
PP Pipe 32mm Ø, 2.9mm wall thickness	32mm	EI 60 U/C
PP Pipe 40mm Ø, 2.9mm wall thickness	40mm	
PP Pipe 50mm Ø, 2.9mm wall thickness	50mm	
PP Pipe 55mm Ø, 2.9-4.4mm wall thickness	55mm	
PP Pipe 63mm Ø, 2.9-4.4mm wall thickness	63mm	
PP Pipe 75mm Ø, 2.8-6.7mm wall thickness	75mm	
PP Pipe 82mm Ø, 2.8-6.7mm wall thickness	82mm	
PP Pipe 90mm Ø, 2.7-10mm wall thickness	90mm	
PP Pipe 100mm Ø, 2.7-10mm wall thickness	100mm	
PP Pipe 110mm Ø, 2.7-10mm wall thickness	110mm	
PP Pipe 125mm Ø, 3.1mm wall thickness	125mm	
PP Pipe 140mm Ø, 3.5-8mm wall thickness	140mm	
PP Pipe 160mm Ø, 4-14.6mm wall thickness	160mm	

Collars secured both faces of the substrate utilising 80mm long pig tail screw through to the Stopseal Fire Batt
 1. Patress installation of Stopseal Coated Batt. The Batts are installed in horizontal rows and fixed in minimum two vertical edges.
 Overlap of batts to substrate min 100mm. Batts mechanically fixed to substrate with min 6mm x 80mm steel screws and steel retaining washer. Fixings installed at max 300mm centres.

27-CP-F0855 Issue: 3.1

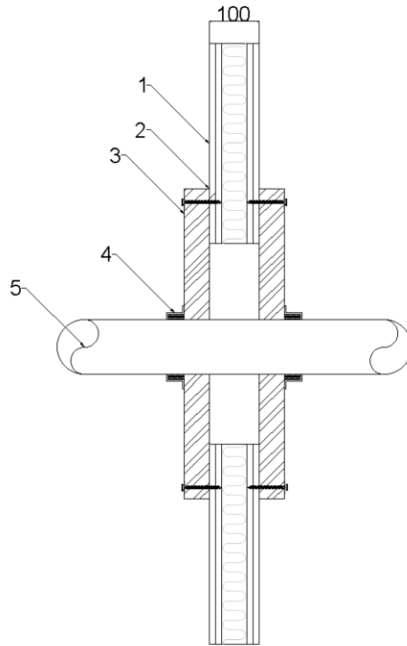


Appendix UL-EU CERTIFICATE

Certificate No. UL-EU-00771-CPR
 Page 123/157
 Date of Issue 2015-04-19

Max Aperture 730mm Wide x 1200mm High

(Penetrations positioned as per option 1 or 2 below, 0mm distance between services and 50mm to edge of seal)



Key

1. Supporting construction
2. Pyrocoustic Sealant
3. Stopseal Batt
4. PipeBloc PCP
5. Penetration Service

Service(s)	PipeBloc PCP Ref	Classification
PE Pipe 32mm Ø, 2.9mm wall thickness	32mm	EI 120 U/C
PE Pipe 40mm Ø, 2.9mm wall thickness	40mm	
PE Pipe 50mm Ø, 2.9mm wall thickness	50mm	
PE Pipe 55mm Ø, 2.9-4.4mm wall thickness	55mm	
PE Pipe 63mm Ø, 2.9-4.4mm wall thickness	63mm	
PE Pipe 75mm Ø, 2.8-6.7mm wall thickness	75mm	
PE Pipe 82mm Ø, 2.8-6.7mm wall thickness	82mm	
PE Pipe 90mm Ø, 2.7-10mm wall thickness	90mm	
PE Pipe 100mm Ø, 2.7-10mm wall thickness	100mm	
PE Pipe 110mm Ø, 2.7-10mm wall thickness	110mm	
PE Pipe 125mm Ø, 3.1mm wall thickness	125mm	
PE Pipe 140mm Ø, 3.9-5.8mm wall thickness	140mm	
PE Pipe 160mm Ø, 4.9-9.5mm wall thickness	160mm	

Collars secured both faces of the substrate utilising 80mm long pig tail screw through to the Stopseal Fire Batt
 1. Patress installation of Stopseal Coated Batt. The Batts are installed in horizontal rows and fixed in minimum two vertical edges.
 Overlap of batts to substrate min 100mm. Batts mechanically fixed to substrate with min 6mm x 80mm steel screws and steel retaining washer. Fixings installed at max 300mm centres.

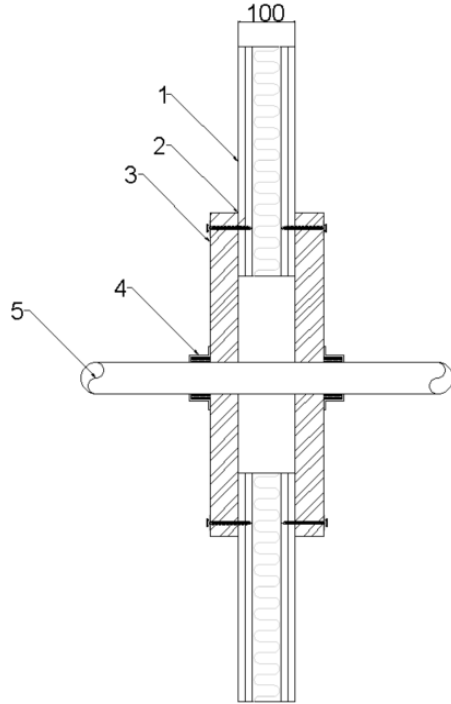


Appendix UL-EU CERTIFICATE

Certificate No. UL-EU-00771-CPR
 Page 124/157
 Date of Issue 2015-04-19

Max Aperture 2600mm Wide x 2600mm High

(Penetrations positioned as per option 1 or 2 below, 0mm distance between services and 50mm to edge of seal)



Key

1. Supporting construction
2. Pyrocoustic Sealant
3. Stopseal Batt
4. PipeBloc PCP
5. Penetration Service

Service(s)	PipeBloc PCP Ref	Classification
PE Pipe 32mm Ø, 2.9mm wall thickness	32mm	EI 60 U/C
PE Pipe 40mm Ø, 2.9mm wall thickness	40mm	
PE Pipe 50mm Ø, 2.9mm wall thickness	50mm	
PE Pipe 55mm Ø, 2.9-4.4mm wall thickness	55mm	
PE Pipe 63mm Ø, 2.9-4.4mm wall thickness	63mm	
PE Pipe 75mm Ø, 2.8-6.7mm wall thickness	75mm	
PE Pipe 82mm Ø, 2.8-6.7mm wall thickness	82mm	
PE Pipe 90mm Ø, 2.7-10mm wall thickness	90mm	
PE Pipe 100mm Ø, 2.7-10mm wall thickness	100mm	
PE Pipe 110mm Ø, 2.7-10mm wall thickness	110mm	
PE Pipe 125mm Ø, 3.1mm wall thickness	125mm	
PE Pipe 140mm Ø, 3.9-5.8mm wall thickness	140mm	
PE Pipe 160mm Ø, 4.9-9.5mm wall thickness	160mm	

Collars secured both faces of the substrate utilising 80mm long pig tail screw through to the Stopseal Fire Batt
¹Patress installation of Stopseal Coated Batt. The Batts are installed in horizontal rows and fixed in minimum two vertical edges.
 Overlap of batts to substrate min 100mm. Batts mechanically fixed to substrate with min 6mm x 80mm steel screws and steel retaining washer. Fixings installed at max 300mm centres.

27-CP-F0855 Issue: 3.1

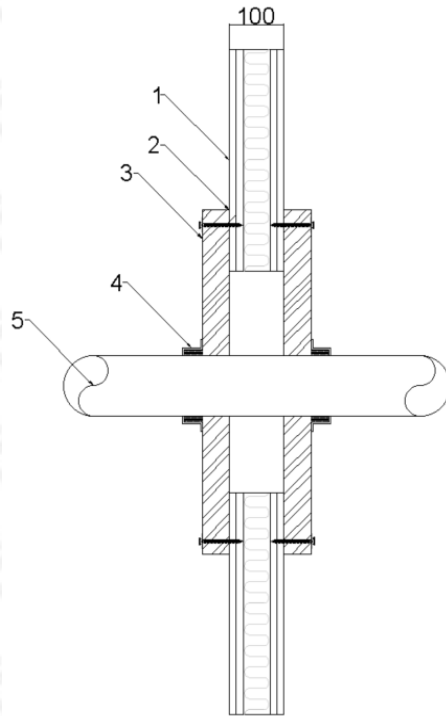


Appendix UL-EU CERTIFICATE

Certificate No. UL-EU-00771-CPR
 Page 125/157
 Date of Issue 2015-04-19

Max Aperture 2600mm Wide x 2600mm High

(Penetrations positioned as per option 1 or 2 below, 0mm distance between services and 50mm to edge of seal)



Key

1. Supporting construction
2. Pyrocoustic Sealant
3. Stopseal Batt
4. PipeBloc PCP
5. Penetration Service

Scope and Classifications as below

Intumescent Thickness	
Pipe Diameter	Intumescent Material
ø 32 mm - ø 50 mm	40 mm (W) x 2 mm (T)
ø 51 mm - ø 82 mm	40 mm (W) x 4 mm (T)
ø 83 mm - ø 115 mm	40 mm (W) x 6 mm (T)
ø 116 mm - ø 160 mm	40 mm (W) x 8 mm (T)
ø 161 mm - ø 200 mm	40 mm (W) x 10 mm (T)
ø 201 mm - ø 250 mm	40 mm (W) x 12 mm (T)

Wrap secured internally within both faces of the Stopseal Fire Batt

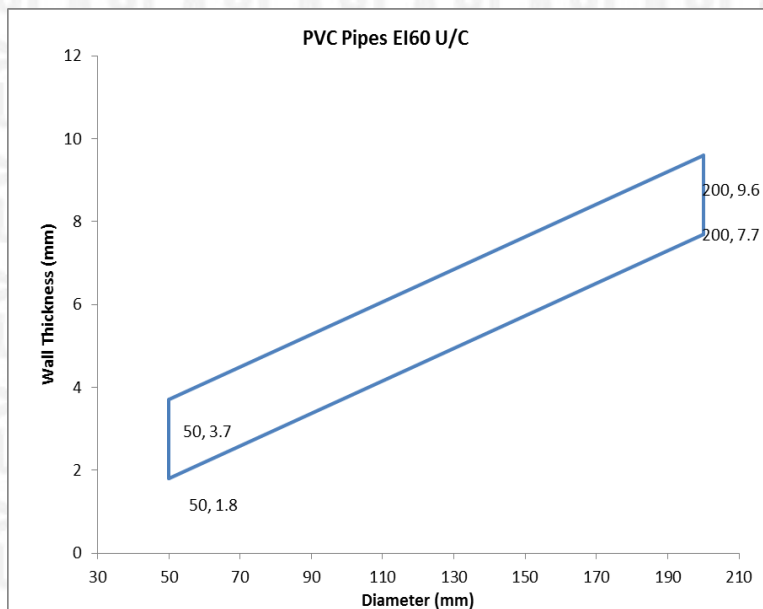
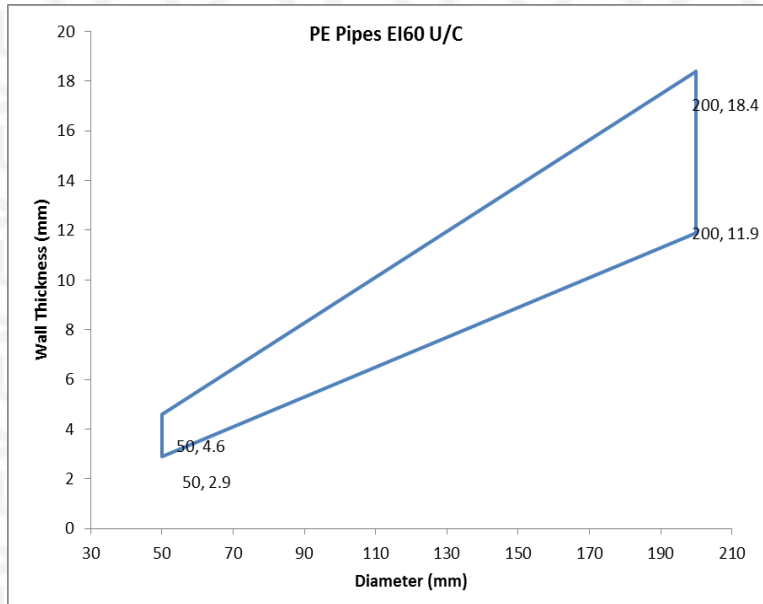
¹Patress installation of Stopseal Coated Batt. The Batts are installed in horizontal rows and fixed in minimum two vertical edges. Overlap of batts to substrate min 100mm. Batts mechanically fixed to substrate with min 6mm x 80mm steel screws and steel retaining washer. Fixings installed at max 300mm centres.

27-CP-F0855 Issue: 3.1



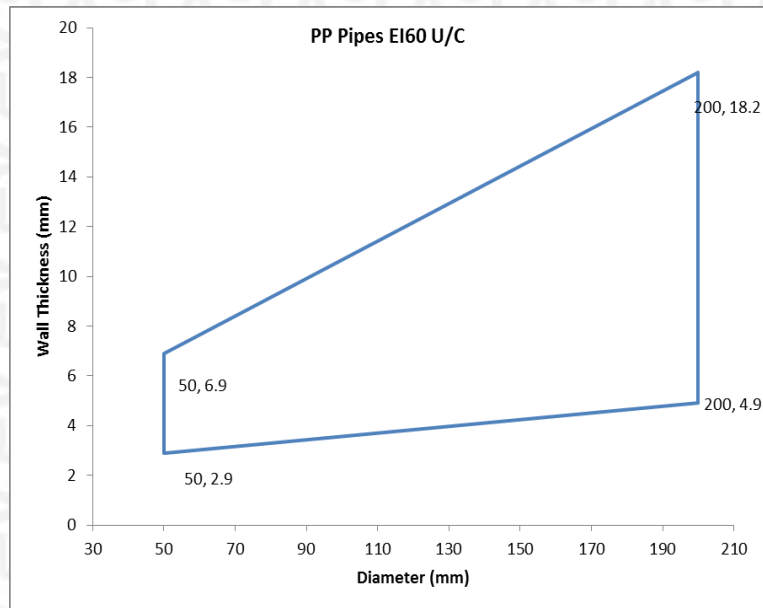
Appendix UL-EU CERTIFICATE

Certificate No. UL-EU-00771-CPR
Page 126/157
Date of Issue 2015-04-19



Appendix UL-EU CERTIFICATE

Certificate No. UL-EU-00771-CPR
Page 127/157
Date of Issue 2015-04-19

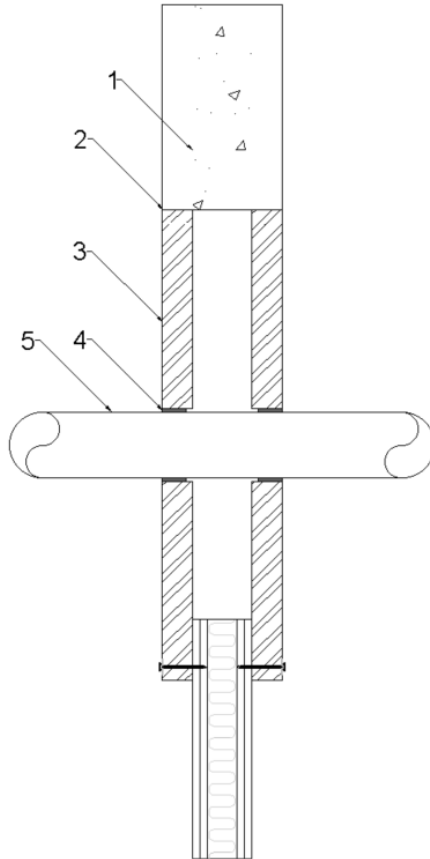


Appendix UL-EU CERTIFICATE

Certificate No. UL-EU-00771-CPR
 Page 128/157
 Date of Issue 2015-04-19

Max Aperture 2600mm Wide x 2600mm High

30mm overlap patress installed flush to soffit



Key

1. Supporting construction
2. Pyrocoustic Sealant
3. Stopseal Batt
4. PipeBloc EL / PipeBloc PWP
5. Penetration Service

Service(s)

Classification

PVC Pipe 110mm Ø, 4.2mm wall thickness

EI 60 C/U

¹Patress installation of Stopseal Coated Batt. The Batts are installed in horizontal rows and fixed in minimum two vertical edges. Overlap of batts to substrate min 30mm. Batt's mechanically fixed to substrate with min 6mm x 80mm steel screws and steel retaining washer. Fixings installed at max 300mm centres. No fixing is applied to the head flush to the soffit

²4 x 2mm thick layers of PipeBloc EL / PipeBloc PWP installed both sides of the substrate within the patress installation

27-CP-F0855 Issue: 3.1



Appendix UL-EU CERTIFICATE

Certificate No. UL-EU-00771-CPR
 Page 129/157
 Date of Issue 2015-04-19

Max Aperture 2600mm Wide x 2600mm High	
<p style="text-align: center;">30mm overlap patress installed flush to soffit</p>	<p><u>Key</u></p> <ol style="list-style-type: none"> 1. Supporting construction 2. Pyrocoustic Sealant 3. Stopseal Batt 4. PipeBloc EL / PipeBloc PWP 5. Penetration Service
Service(s)	Classification
PVC Pipe 110mm Ø, 4.2mm wall thickness	EI 60 C/U

¹Patress installation of Stopseal Coated Batt. The Batts are installed in horizontal rows and fixed in minimum two vertical edges. Overlap of batts to substrate min 30mm. Batts mechanically fixed to substrate with min 6mm x 80mm steel screws and steel retaining washer. Fixings installed at max 300mm centres. No fixing is applied to the head flush to the soffit

²4 x 2mm thick layers of PipeBloc EL / PipeBloc PWP installed both sides of the substrate within the patress installation



Appendix UL-EU CERTIFICATE

Certificate No. UL-EU-00771-CPR
 Page 130/157
 Date of Issue 2015-04-19

Rigid Floors Minimum Thickness 150mm

Double Layer, Stopseal Fire Batt 50mm, Electrical Cables

Max Aperture 1100mm Wide x 1500mm Long

	<p><u>Key</u></p> <ol style="list-style-type: none"> 1. Supporting construction 2. Stopseal Batt 3. Pyropro HPE 4. PST Coating 5. Penetration Service 6. Pyrocoustic Sealant
<p>Penetration Specification</p>	<p>Classification</p>
<p>*500mm perforated cable tray</p>	
<p>*Electrical cables up to 21mm ϕ</p>	
<p>*1 off 'C1' Cable</p>	<p>EI 60</p>
<p>*1 off 'C2' Cable</p>	
<p>*1 off 'C3' Cable</p>	

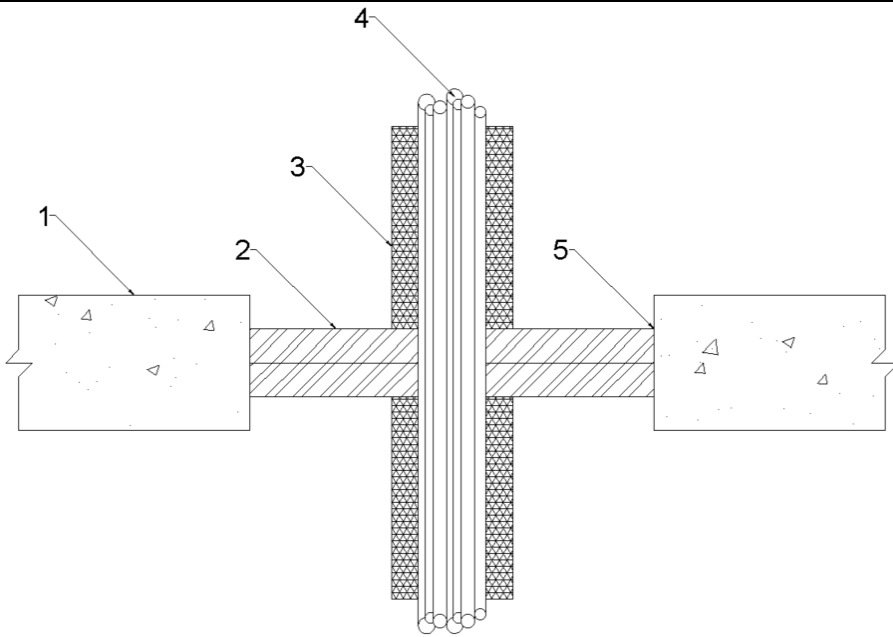
*All cables coated with 2mm DFT PST Coating 300mm along the cables upper side of the seal
 Pyropro HPE 20mm annulus full 50mm depth of the Stopseal Coated Batt



Appendix UL-EU CERTIFICATE

Certificate No. UL-EU-00771-CPR
 Page 131/157
 Date of Issue 2015-04-19

Max Aperture 1100mm Wide x 1500mm Long



- Key**
1. Supporting construction
 2. Stopseal Batt
 3. Insulation
 4. Penetration Service
 5. Pyrocoustic Sealant

Service(s)	Classification
¹ Electrical cables upto 80mm dia	EI 60
¹ Cable Trays and Ladders	
¹ 100 mm diameter bundle telecommunication cable type "F"	
¹ Unsheathed electrical cables up to 17mm dia	
¹ Unsheathed electrical cables 18-24mm dia	
¹ Steel or Copper Conduits up to 16mm	
¹ Plastic conduits up to 16mm	

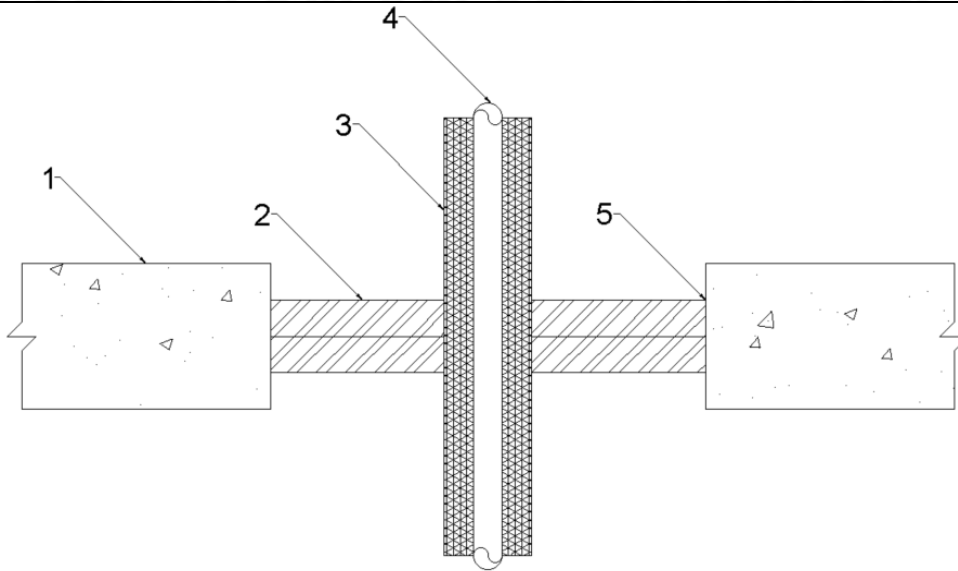
¹Cables and cable trays wrapped with a single layer of 40mm thick stonewool, min 40kg/m³ (L/I 300mm)



Appendix UL-EU CERTIFICATE

Certificate No. UL-EU-00771-CPR
 Page 132/157
 Date of Issue 2015-04-19

Max Aperture 700mm Wide x 1100mm Long



- Key**
- 1. Supporting construction
 - 2. Stopseal Batt
 - 3. Insulation
 - 4. Penetration Service
 - 5. Pyrocoustic Sealant

Service(s)	Classification
Steel or Copper Pipe 42mm Ø, 1.2mm – 14.2mm wall thickness. (L/I 300mm) 40mm stone wool insulation (min 40Kg/m ³)	EI 120 C/U
Steel or Copper Pipe 42mm – 159mm Ø, 2mm – 14.2mm wall thickness. (L/I 300mm) 40mm stone wool insulation (min 40Kg/m ³)	E 120 C/U EI 30 C/U



Appendix UL-EU CERTIFICATE

Certificate No. UL-EU-00771-CPR
 Page 133/157
 Date of Issue 2015-04-19

Double Layer, Stopseal Fire Batt 50mm, Insulated Metallic Pipes

Max Aperture 1100mm Wide x 1500mm Long	
	<p><u>Key</u></p> <ol style="list-style-type: none"> 1. Supporting construction 2. Stopseal Batt 3. Insulation 4. Penetration Service 5. Pyrocoustic Sealant
Service(s)	Classification
Steel or Copper Pipe 42mm Ø, 1.2mm – 14.2mm wall thickness. (L/I 300mm) 40mm stone wool insulation (min 40Kg/m ³)	E 90 C/U EI 60 C/U
Steel or Copper Pipe 42mm – 159mm Ø, 2mm – 14.2mm wall thickness. (L/I 300mm) 40mm stone wool insulation (min 40Kg/m ³)	E 90 C/U EI 30 C/U

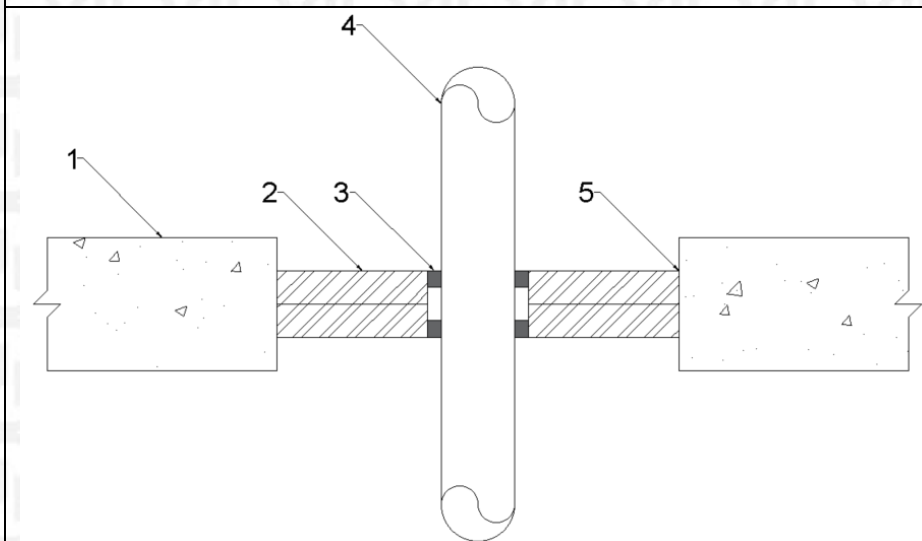


Appendix UL-EU CERTIFICATE

Certificate No. UL-EU-00771-CPR
 Page 134/157
 Date of Issue 2015-04-19

Double Layer, Stopseal Fire Batt 50mm, Plastic Pipes

Max Aperture 750mm Wide x 1100mm Long



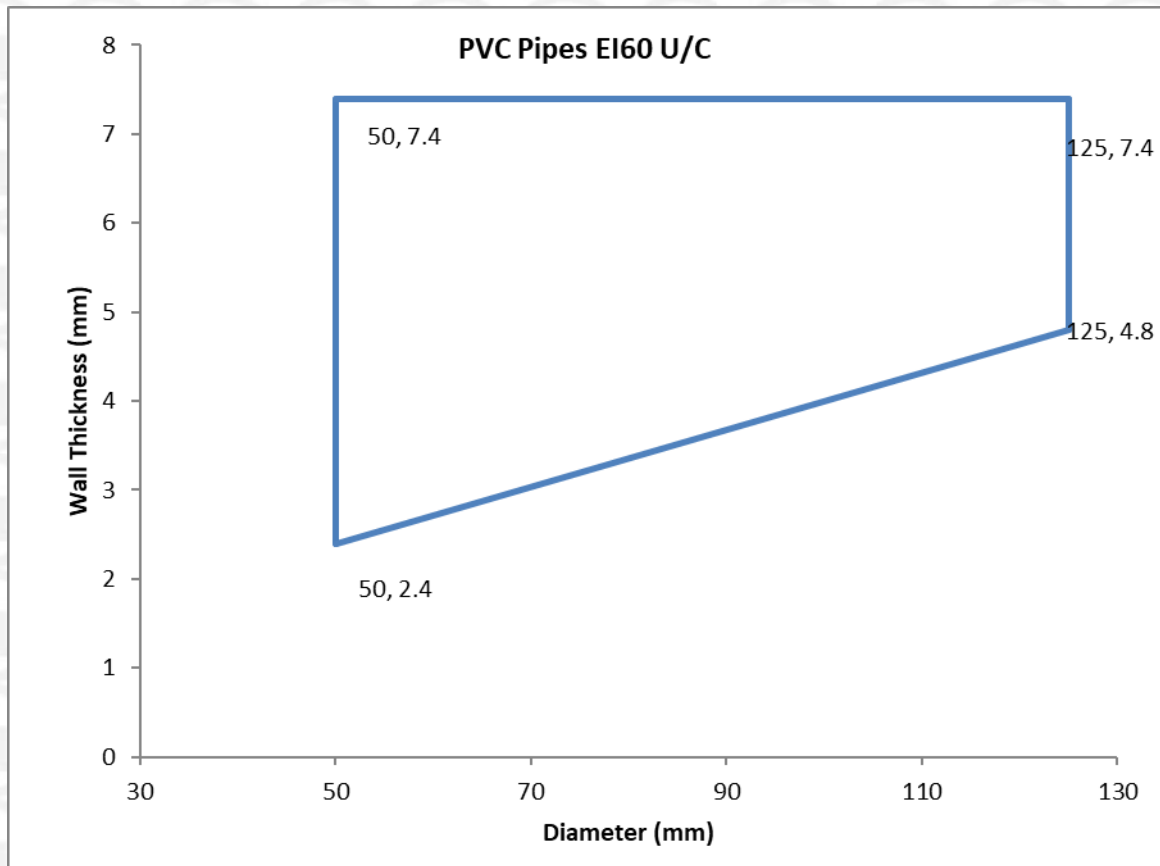
- Key
1. Supporting construction
 2. Stopseal Batt
 3. Pyropro HPE
 4. Penetration Service
 5. Pyrocoustic Sealant

Penetration Specification	Pyropro HPE	Classification
Pipe Diameters as below	20mm annulus, 25mm deep both faces of the Stopseal Coated Batt	See graphs below



Appendix UL-EU CERTIFICATE

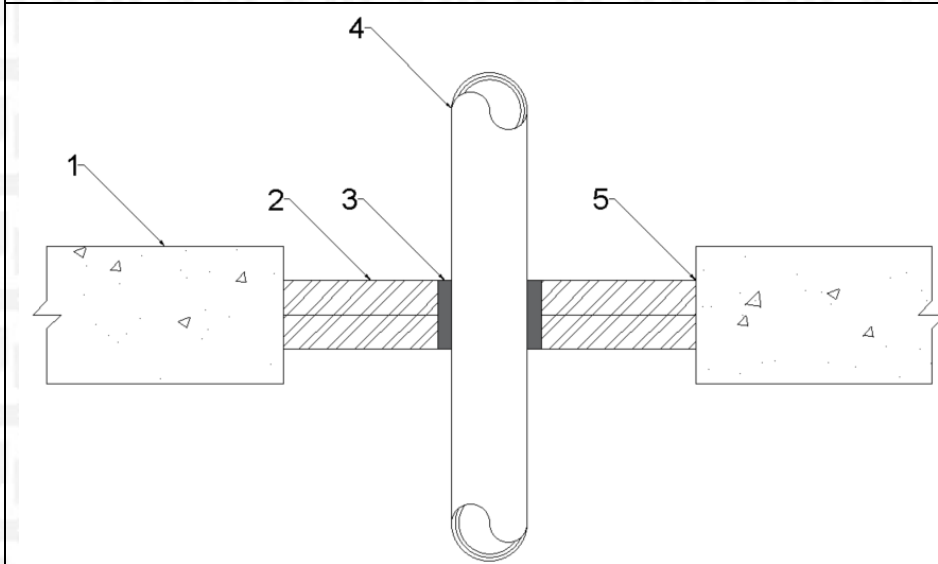
Certificate No. UL-EU-00771-CPR
Page 135/157
Date of Issue 2015-04-19



Appendix UL-EU CERTIFICATE

Certificate No. UL-EU-00771-CPR
 Page 136/157
 Date of Issue 2015-04-19

Max Aperture 750mm Wide x 1100mm Long



Key

1. Supporting construction
2. Stopseal Batt
3. Pyropro HPE
4. Penetration Service
5. Pyrocoustic Sealant

Penetration Specification

Classification

Uponor MLC (Multi-Layer Composite) Pipe 40mm ϕ 4mm wall thickness

Uponor MLC (Multi-Layer Composite) Pipe 50mm ϕ 4.5mm wall thickness

Uponor MLC (Multi-Layer Composite) Pipe 63mm ϕ 6mm wall thickness

Uponor MLC (Multi-Layer Composite) Pipe 75mm ϕ 7.5mm wall thickness

Uponor MLC (Multi-Layer Composite) Pipe 90mm ϕ 8.5mm wall thickness

Uponor MLC (Multi-Layer Composite) Pipe 110mm ϕ 10mm wall thickness

EI 60 U/C

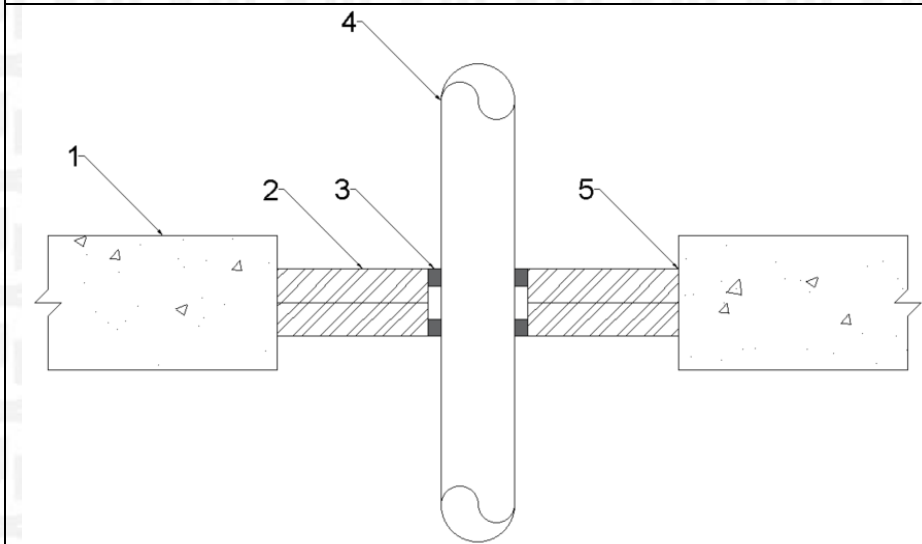
Pyropro HPE 20mm annulus full 50mm depth of the Stopseal Coated Batt



Appendix UL-EU CERTIFICATE

Certificate No. UL-EU-00771-CPR
 Page 137/157
 Date of Issue 2015-04-19

Max Aperture 1100mm Wide x 1500mm Long



Key

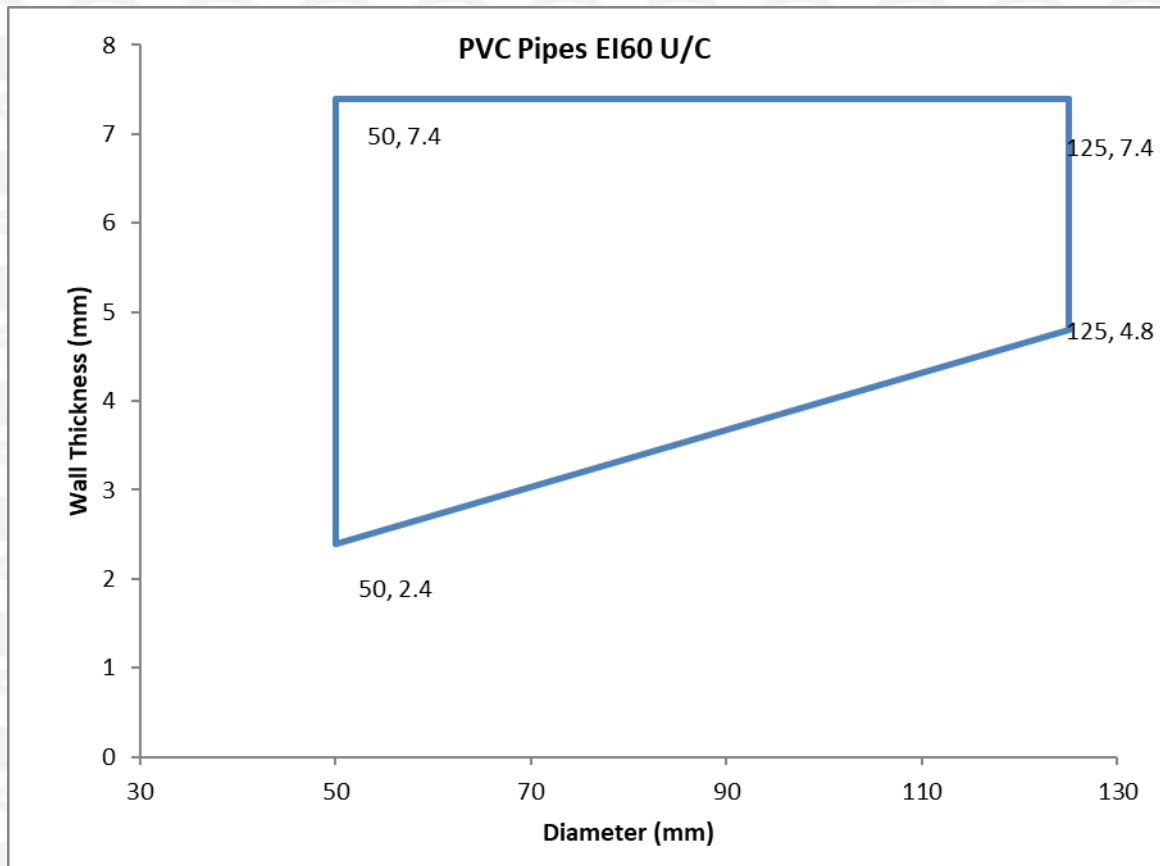
1. Supporting construction
2. Stopseal Batt
3. Pyropro HPE
4. Penetration Service
5. Pyrocoustic Sealant

Penetration Specification	Pyropro HPE	Classification
Pipe Diameters as below	20mm annulus, 25mm deep both faces of the Stopseal Coated Batt	See graphs below



Appendix UL-EU CERTIFICATE

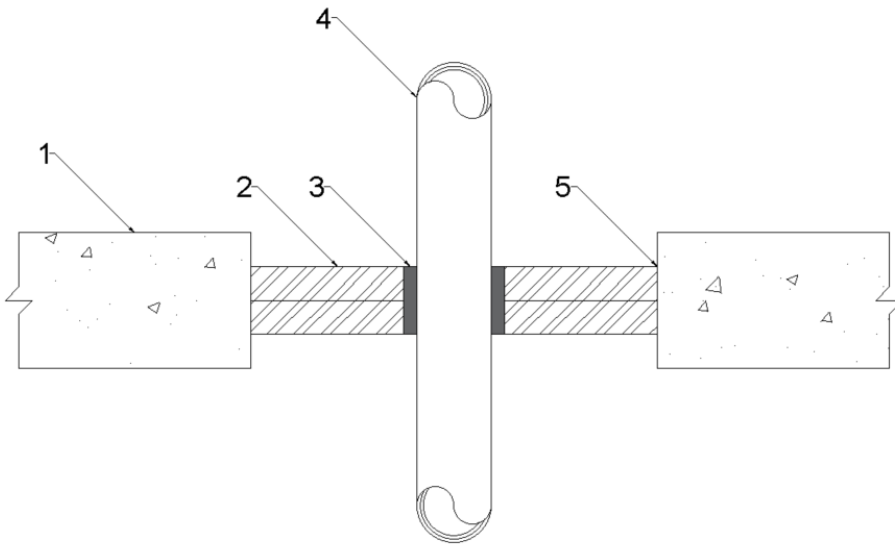
Certificate No. UL-EU-00771-CPR
Page 138/157
Date of Issue 2015-04-19



Appendix UL-EU CERTIFICATE

Certificate No. UL-EU-00771-CPR
 Page 139/157
 Date of Issue 2015-04-19

Max Aperture 1100mm Wide x 1500mm Long



Key

1. Supporting construction
2. Stopseal Batt
3. Pyropro HPE
4. Penetration Service
5. Pyrocoustic Sealant

Penetration Specification

Classification

Uponor MLC (Multi-Layer Composite) Pipe 40mm ϕ 4mm wall thickness

Uponor MLC (Multi-Layer Composite) Pipe 50mm ϕ 4.5mm wall thickness

Uponor MLC (Multi-Layer Composite) Pipe 63mm ϕ 6mm wall thickness

Uponor MLC (Multi-Layer Composite) Pipe 75mm ϕ 7.5mm wall thickness

Uponor MLC (Multi-Layer Composite) Pipe 90mm ϕ 8.5mm wall thickness

Uponor MLC (Multi-Layer Composite) Pipe 110mm ϕ 10mm wall thickness

EI 60 U/C

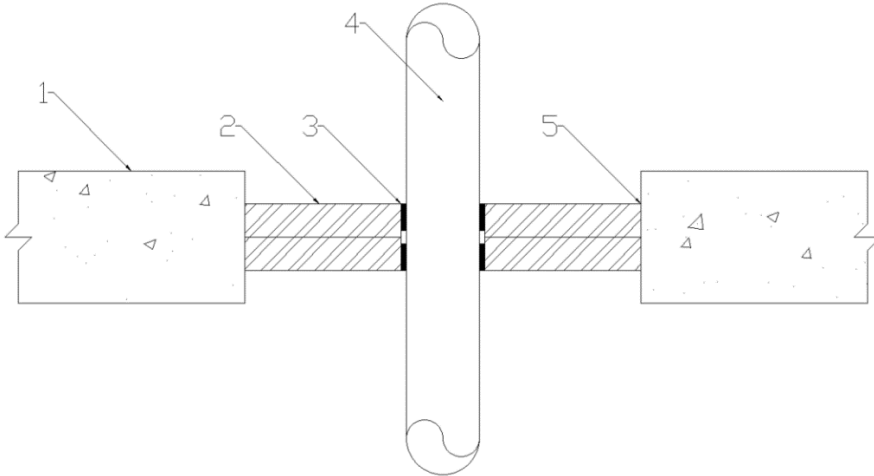
Pyropro HPE 20mm annulus full 50mm depth of the Stopseal Coated Batt



Appendix UL-EU CERTIFICATE

Certificate No. UL-EU-00771-CPR
 Page 140/157
 Date of Issue 2015-04-19

Max Aperture 350mm Wide x 1000mm Long



Key

1. Supporting construction
2. Stopseal Batt
3. PipeBloc EL / PipeBloc PWP
4. Penetration Service
5. Pyrocoustic Sealant

Service(s)	PipeBloc EL / PipeBloc PWP Ref	Classification
PVC Pipe up to 125mm Ø, 4.8-7.4mm wall thickness.	2mm thickness	EI 120 U/C
PP Pipe up to 40mm Ø, 3.1-17.1mm wall thickness.	2mm thickness	
PE Pipe up to 125mm Ø, 11.4mm wall thickness.	2mm thickness	
PE Pipe up to 125mm Ø, 3.1-11.4mm wall thickness.	2mm thickness	E 120 U/C EI 90 U/C

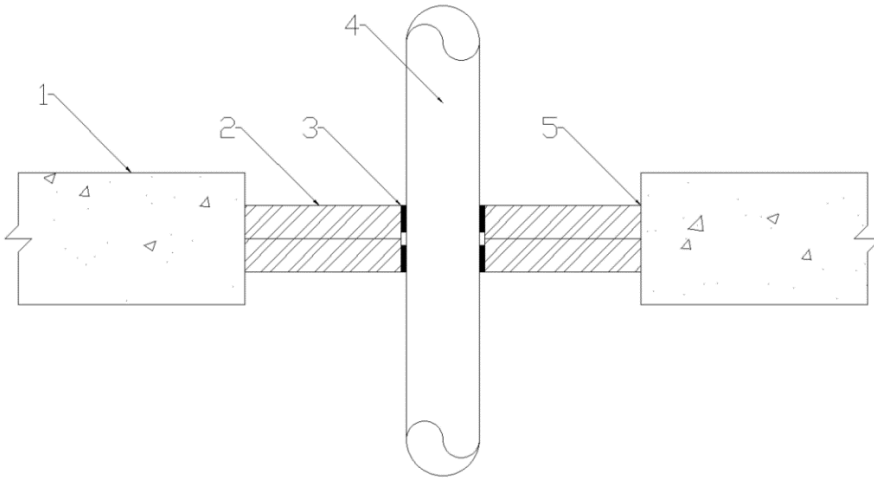
¹PipeBloc EL / PipeBloc PWP secured internally within both faces of the Stopseal Fire Batt



Appendix UL-EU CERTIFICATE

Certificate No. UL-EU-00771-CPR
 Page 141/157
 Date of Issue 2015-04-19

Max Aperture 1100mm Wide x 1500mm Long



Key

1. Supporting construction
2. Stopseal Batt
3. PipeBloc EL / PipeBloc PWP
4. Penetration Service
5. Pyrocoustic Sealant

Service(s)	PipeBloc EL / PipeBloc PWP Ref	Classification
PVC Pipe up to 125mm Ø, 4.8-7.4mm wall thickness.	2mm thickness	EI 60 U/C
PP Pipe up to 40mm Ø, 3.1-17.1mm wall thickness.	2mm thickness	
PE Pipe up to 125mm Ø, 11.4mm wall thickness.	2mm thickness	
PE Pipe up to 125mm Ø, 3.1-11.4mm wall thickness.	2mm thickness	

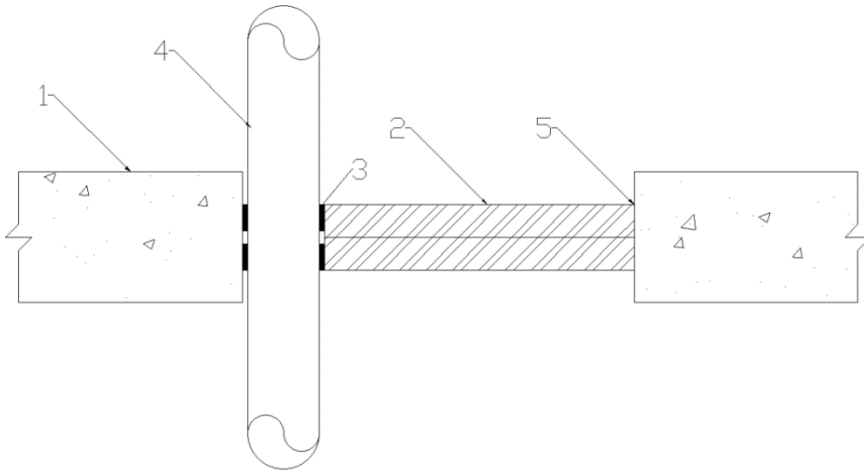
¹PipeBloc EL / PipeBloc PWP secured internally within both faces of the Stopseal Fire Batt



Appendix UL-EU CERTIFICATE

Certificate No. UL-EU-00771-CPR
 Page 142/157
 Date of Issue 2015-04-19

Max Aperture 350mm Wide x 1000mm Long



Key

1. Supporting construction
2. Stopseal Batt
3. PipeBloc EL / PipeBloc PWP
4. Penetration Service
5. Pyrocoustic Sealant

Service(s)	PipeBloc EL / PipeBloc PWP Ref	Classification
PVC Pipe up to 125mm Ø, 4.8-7.4mm wall thickness.	2mm thickness	EI 120 U/C
PP Pipe up to 40mm Ø, 3.1-17.1mm wall thickness.	2mm thickness	
PE Pipe up to 125mm Ø, 11.4mm wall thickness.	2mm thickness	
PE Pipe up to 125mm Ø, 3.1-11.4mm wall thickness.	2mm thickness	E 120 U/C EI 90 U/C

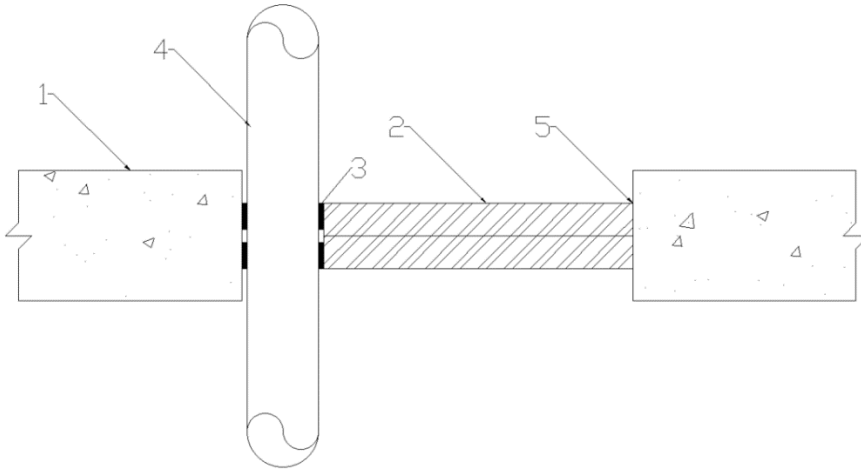
¹PipeBloc EL / PipeBloc PWP secured internally within both faces of the Stopseal Fire Batt



Appendix UL-EU CERTIFICATE

Certificate No. UL-EU-00771-CPR
 Page 143/157
 Date of Issue 2015-04-19

Max Aperture 1100mm Wide x 1500mm Long



Key

1. Supporting construction
2. Stopseal Batt
3. PipeBloc EL / PipeBloc PWP
4. Penetration Service
5. Pyrocoustic Sealant

Service(s)	PipeBloc EL / PipeBloc PWP Ref	Classification
PVC Pipe up to 125mm Ø, 4.8-7.4mm wall thickness.	2mm thickness	EI 60 U/C
PP Pipe up to 40mm Ø, 3.1-17.1mm wall thickness.	2mm thickness	
PE Pipe up to 125mm Ø, 11.4mm wall thickness.	2mm thickness	
PE Pipe up to 125mm Ø, 3.1-11.4mm wall thickness.	2mm thickness	

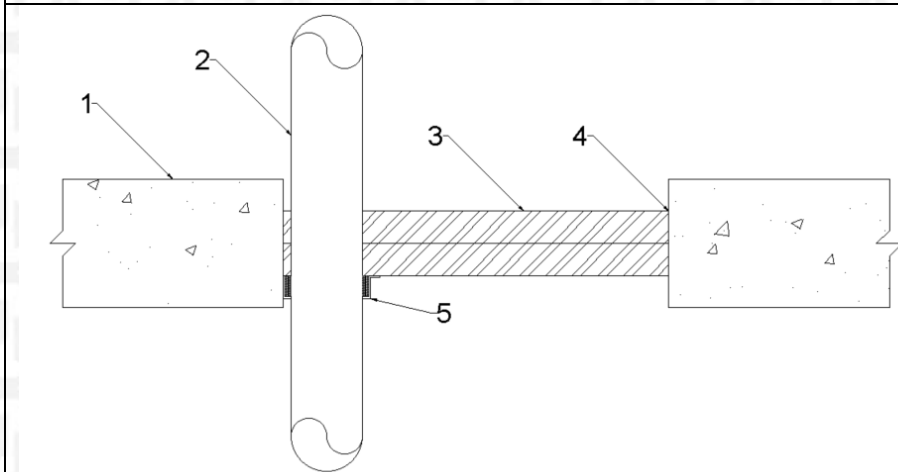
¹PipeBloc EL / PipeBloc PWP secured internally within both faces of the Stopseal Fire Batt



Appendix UL-EU CERTIFICATE

Certificate No. UL-EU-00771-CPR
 Page 144/157
 Date of Issue 2015-04-19

Max Aperture 350mm Wide x 1000mm Long



- Key**
1. Supporting construction
 2. Penetration Service
 3. Stopseal Batt
 4. Pyrocoustic Sealant
 5. PipeBloc PCP

Penetration Specification	Pipe Bloc PCP Collars	Classification
Pipe Diameters as below. Zero Distance	Fixed to the underside of the Stopseal Coated Batt utilising steel pig tail fixings	EI 120 U/C

Penetration Specification	Collar Reference	Intumescent Material
PVC Pipe 32mm Ø 1.8mm wall thickness	32mm PipeBloc PCP	30mm (W) x 4mm (T)
PVC Pipe 40mm Ø 1.8mm wall thickness	40mm PipeBloc PCP	
PVC Pipe 50mm Ø 1.8mm wall thickness	50mm PipeBloc PCP	30mm (W) x 6mm (T)
PVC Pipe 55mm Ø 2.3-2.8mm wall thickness	55mm PipeBloc PCP	
PVC Pipe 63mm Ø 2.3-2.8mm wall thickness	63mm PipeBloc PCP	30mm (W) x 8mm (T)
PVC Pipe 75mm Ø 3.1-4.4mm wall thickness	75mm PipeBloc PCP	
PVC Pipe 82mm Ø 3.1-4.4mm wall thickness	82mm PipeBloc PCP	30mm (W) x 10mm (T)
PVC Pipe 90mm Ø 4.2-6.6mm wall thickness	90mm PipeBloc PCP	
PVC Pipe 100mm Ø 4.2-6.6mm wall thickness	100mm PipeBloc PCP	40mm (W) x 12mm (T)
PVC Pipe 110mm Ø 4.2-6.6mm wall thickness	110mm PipeBloc PCP	
PVC Pipe 125mm Ø 6.0mm wall thickness	125mm PipeBloc PCP	40mm (W) x 12mm (T)
PVC Pipe 140mm Ø 6.1-7.5mm wall thickness	140mm PipeBloc PCP	
PVC Pipe 160mm Ø 6.2-9.5mm wall thickness	160mm PipeBloc PCP	



Appendix UL-EU CERTIFICATE

Certificate No. UL-EU-00771-CPR
 Page 145/157
 Date of Issue 2015-04-19

Penetration Specification	Collar Reference	Intumescent Material
PP Pipe 32mm Ø 2.9mm wall thickness	32mm PipeBloc PCP	30mm (W) x 4mm (T)
PP Pipe 40mm Ø 2.9mm wall thickness	40mm PipeBloc PCP	
PP Pipe 50mm Ø 2.9mm wall thickness	50mm PipeBloc PCP	
PP Pipe 55mm Ø 2.9-4.4mm wall thickness	55mm PipeBloc PCP	30mm (W) x 6mm (T)
PP Pipe 63mm Ø 2.9-4.4mm wall thickness	63mm PipeBloc PCP	30mm (W) x 8mm (T)
PP Pipe 75mm Ø 2.8-6.7mm wall thickness	75mm PipeBloc PCP	
PP Pipe 82mm Ø 2.8-6.7mm wall thickness	82mm PipeBloc PCP	
PP Pipe 90mm Ø 2.7-10.0mm wall thickness	90mm PipeBloc PCP	30mm (W) x 10mm (T)
PP Pipe 100mm Ø 2.7-10.0mm wall thickness	100mm PipeBloc PCP	
PP Pipe 110mm Ø 2.7-10.0mm wall thickness	110mm PipeBloc PCP	
PP Pipe 125mm Ø 3.1mm wall thickness	125mm PipeBloc PCP	40mm (W) x 12mm (T)
PP Pipe 140mm Ø 3.5-8.0mm wall thickness	140mm PipeBloc PCP	
PP Pipe 160mm Ø 4.0-14.6mm wall thickness	160mm PipeBloc PCP	

Penetration Specification	Collar Reference	Intumescent Material
PE Pipe 32mm Ø 2.9mm wall thickness	32mm PipeBloc PCP	30mm (W) x 4mm (T)
PE Pipe 40mm Ø 2.9mm wall thickness	40mm PipeBloc PCP	
PE Pipe 50mm Ø 2.9mm wall thickness	50mm PipeBloc PCP	
PE Pipe 55mm Ø 2.9-4.4mm wall thickness	55mm PipeBloc PCP	30mm (W) x 6mm (T)
PE Pipe 63mm Ø 2.9-4.4mm wall thickness	63mm PipeBloc PCP	30mm (W) x 8mm (T)
PE Pipe 75mm Ø 2.8-6.7mm wall thickness	75mm PipeBloc PCP	
PE Pipe 82mm Ø 2.8-6.7mm wall thickness	82mm PipeBloc PCP	
PE Pipe 90mm Ø 2.7-10.0mm wall thickness	90mm PipeBloc PCP	30mm (W) x 10mm (T)
PE Pipe 100mm Ø 2.7-10.0mm wall thickness	100mm PipeBloc PCP	
PE Pipe 110mm Ø 2.7-10.0mm wall thickness	110mm PipeBloc PCP	
PE Pipe 125mm Ø 3.1mm wall thickness	125mm PipeBloc PCP	40mm (W) x 12mm (T)
PE Pipe 140mm Ø 3.9-5.8mm wall thickness	140mm PipeBloc PCP	
PE Pipe 160mm Ø 4.9-9.5mm wall thickness	160mm PipeBloc PCP	

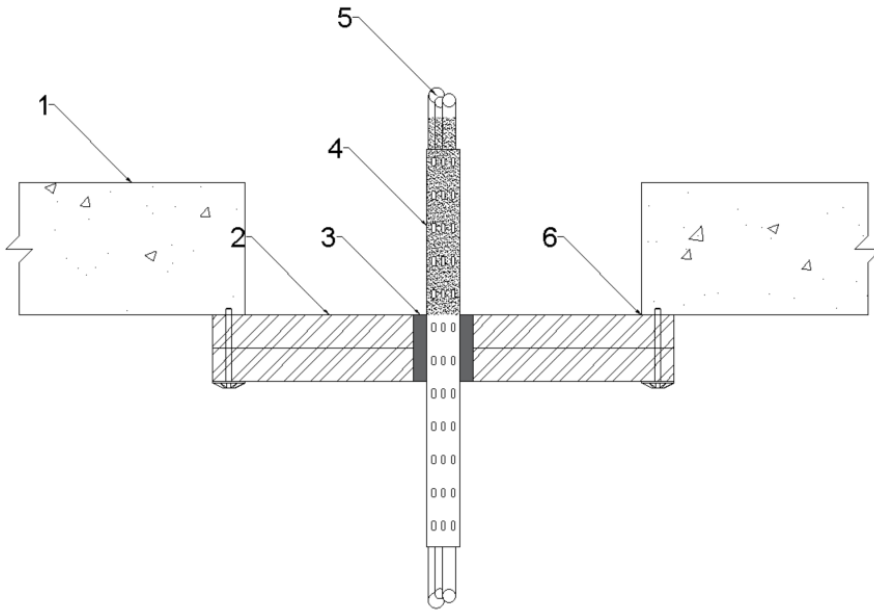


Appendix UL-EU CERTIFICATE

Certificate No. UL-EU-00771-CPR
 Page 146/157
 Date of Issue 2015-04-19

Double Layer, Stopseal Fire Batt 50mm, Patress Installed Electrical Cables

Max Aperture 1000mm Wide x 1300mm Long



Key

1. Supporting construction
2. Stopseal Batt
3. Pyropro HPE
4. PST Coating
5. Penetration Service
6. Pyrocoustic Sealant

Penetration Specification

Classification

*500mm perforated cable tray

*Electrical cables up to 21mm ϕ

*1 off 'C1' Cable

*1 off 'C2' Cable

*1 off 'C3' Cable

EI 60

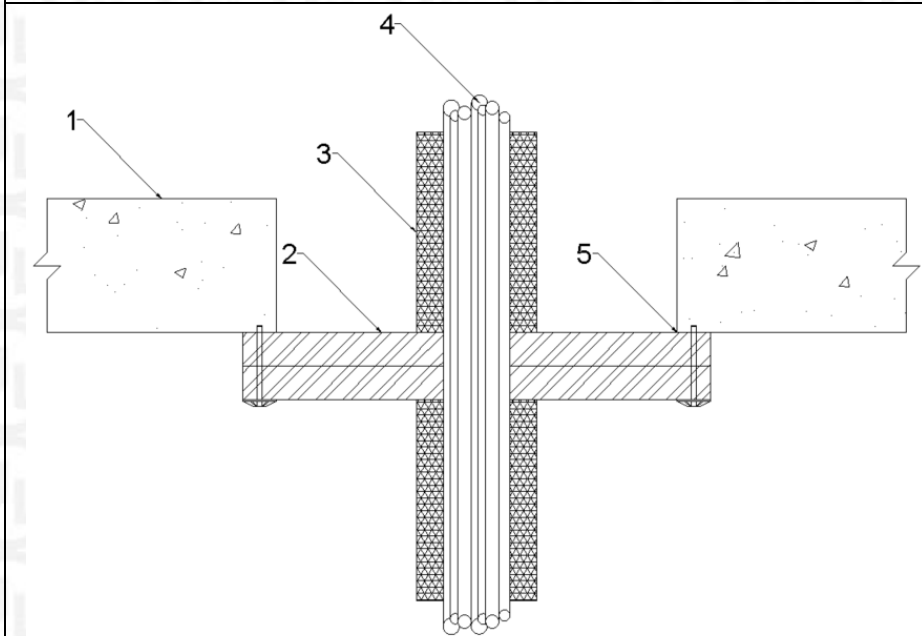
*All cables coated with 2mm DFT PST Coating 300mm along the cables upper side of the seal
 Pyropro HPE 20mm annulus full 50mm depth of the Stopseal Coated Batt



Appendix UL-EU CERTIFICATE

Certificate No. UL-EU-00771-CPR
 Page 147/157
 Date of Issue 2015-04-19

Max Aperture 1000mm Wide x 1300mm Long



Key

1. Supporting construction
2. Stopseal Batt
3. Insulation
4. Penetration Service
5. Pyroacoustic Sealant

Service(s)	Classification
¹Electrical cables upto 80mm dia	EI 60
¹Cable Trays and Ladders	
¹100 mm diameter bundle telecommunication cable type "F"	
¹Unsheathed electrical cables up to 17mm dia	
¹Unsheathed electrical cables 18-24mm dia	
¹Steel or Copper Conduits up to 16mm	
¹Plastic conduits up to 16mm	

¹Cables and cable trays wrapped with a single layer of 40mm thick stonewool, min 40kg/m³ (L/I 300mm)



Appendix UL-EU CERTIFICATE

Certificate No. UL-EU-00771-CPR
 Page 148/157
 Date of Issue 2015-04-19

Double Layer, Stopseal Fire Batt 50mm, Pattress Installed Insulated Metallic Pipes

Max Aperture 1000mm Wide x 1300mm Long	
	<p><u>Key</u></p> <ol style="list-style-type: none"> 1. Supporting construction 2. Stopseal Batt 3. Insulation 4. Penetration Service 5. Pyrocoustic Sealant
Service(s)	Classification
Steel or Copper Pipe 42mm Ø, 1.2mm – 14.2mm wall thickness. (L/I 300mm) 40mm stone wool insulation (min 40Kg/m ³)	EI 60 C/U
Steel or Copper Pipe 42mm – 159mm Ø, 2mm – 14.2mm wall thickness. (L/I 300mm) 40mm stone wool insulation (min 40Kg/m ³)	E 60 C/U EI 30 C/U



Appendix UL-EU CERTIFICATE

Certificate No. UL-EU-00771-CPR
 Page 149/157
 Date of Issue 2015-04-19

Double Layer, Stopseal Fire Batt 50mm, Pattress Installed Plastic Pipes

Max Aperture 1000mm Wide x 1300mm Long		
	<p><u>Key</u></p> <ol style="list-style-type: none"> 1. Supporting construction 2. Stopseal Batt 3. Insulation 4. Penetration Service 5. PipeBloc PCP 	
Penetration Specification	Pipe Bloc PCP Collars	Classification
Pipe Diameters as below. Zero Distance	Fixed to the underside of the Stopseal Coated Batt utilising steel pig tail fixings	EI 60 U/C

Penetration Specification	Collar Reference	Intumescent Material
PVC Pipe 32mm Ø 1.8mm wall thickness	32mm PipeBloc PCP	30mm (W) x 4mm (T)
PVC Pipe 40mm Ø 1.8mm wall thickness	40mm PipeBloc PCP	
PVC Pipe 50mm Ø 1.8mm wall thickness	50mm PipeBloc PCP	
PVC Pipe 55mm Ø 2.3-2.8mm wall thickness	55mm PipeBloc PCP	30mm (W) x 6mm (T)
PVC Pipe 63mm Ø 2.3-2.8mm wall thickness	63mm PipeBloc PCP	30mm (W) x 8mm (T)
PVC Pipe 75mm Ø 3.1-4.4mm wall thickness	75mm PipeBloc PCP	
PVC Pipe 82mm Ø 3.1-4.4mm wall thickness	82mm PipeBloc PCP	
PVC Pipe 90mm Ø 4.2-6.6mm wall thickness	90mm PipeBloc PCP	30mm (W) x 10mm (T)
PVC Pipe 100mm Ø 4.2-6.6mm wall thickness	100mm PipeBloc PCP	40mm (W) x 12mm (T)
PVC Pipe 110mm Ø 4.2-6.6mm wall thickness	110mm PipeBloc PCP	
PVC Pipe 125mm Ø 6.0mm wall thickness	125mm PipeBloc PCP	
PVC Pipe 140mm Ø 6.1-7.5mm wall thickness	140mm PipeBloc PCP	
PVC Pipe 160mm Ø 6.2-9.5mm wall thickness	160mm PipeBloc PCP	



Appendix UL-EU CERTIFICATE

Certificate No. UL-EU-00771-CPR
 Page 150/157
 Date of Issue 2015-04-19

Penetration Specification	Collar Reference	Intumescent Material
PP Pipe 32mm Ø 2.9mm wall thickness	32mm PipeBloc PCP	30mm (W) x 4mm (T)
PP Pipe 40mm Ø 2.9mm wall thickness	40mm PipeBloc PCP	
PP Pipe 50mm Ø 2.9mm wall thickness	50mm PipeBloc PCP	
PP Pipe 55mm Ø 2.9-4.4mm wall thickness	55mm PipeBloc PCP	30mm (W) x 6mm (T)
PP Pipe 63mm Ø 2.9-4.4mm wall thickness	63mm PipeBloc PCP	30mm (W) x 8mm (T)
PP Pipe 75mm Ø 2.8-6.7mm wall thickness	75mm PipeBloc PCP	
PP Pipe 82mm Ø 2.8-6.7mm wall thickness	82mm PipeBloc PCP	
PP Pipe 90mm Ø 2.7-10.0mm wall thickness	90mm PipeBloc PCP	30mm (W) x 10mm (T)
PP Pipe 100mm Ø 2.7-10.0mm wall thickness	100mm PipeBloc PCP	
PP Pipe 110mm Ø 2.7-10.0mm wall thickness	110mm PipeBloc PCP	
PP Pipe 125mm Ø 3.1mm wall thickness	125mm PipeBloc PCP	40mm (W) x 12mm (T)
PP Pipe 140mm Ø 3.5-8.0mm wall thickness	140mm PipeBloc PCP	
PP Pipe 160mm Ø 4.0-14.6mm wall thickness	160mm PipeBloc PCP	

Penetration Specification	Collar Reference	Intumescent Material
PE Pipe 32mm Ø 2.9mm wall thickness	32mm PipeBloc PCP	30mm (W) x 4mm (T)
PE Pipe 40mm Ø 2.9mm wall thickness	40mm PipeBloc PCP	
PE Pipe 50mm Ø 2.9mm wall thickness	50mm PipeBloc PCP	
PE Pipe 55mm Ø 2.9-4.4mm wall thickness	55mm PipeBloc PCP	30mm (W) x 6mm (T)
PE Pipe 63mm Ø 2.9-4.4mm wall thickness	63mm PipeBloc PCP	30mm (W) x 8mm (T)
PE Pipe 75mm Ø 2.8-6.7mm wall thickness	75mm PipeBloc PCP	
PE Pipe 82mm Ø 2.8-6.7mm wall thickness	82mm PipeBloc PCP	
PE Pipe 90mm Ø 2.7-10.0mm wall thickness	90mm PipeBloc PCP	30mm (W) x 10mm (T)
PE Pipe 100mm Ø 2.7-10.0mm wall thickness	100mm PipeBloc PCP	
PE Pipe 110mm Ø 2.7-10.0mm wall thickness	110mm PipeBloc PCP	
PE Pipe 125mm Ø 3.1mm wall thickness	125mm PipeBloc PCP	40mm (W) x 12mm (T)
PE Pipe 140mm Ø 3.9-5.8mm wall thickness	140mm PipeBloc PCP	
PE Pipe 160mm Ø 4.9-9.5mm wall thickness	160mm PipeBloc PCP	

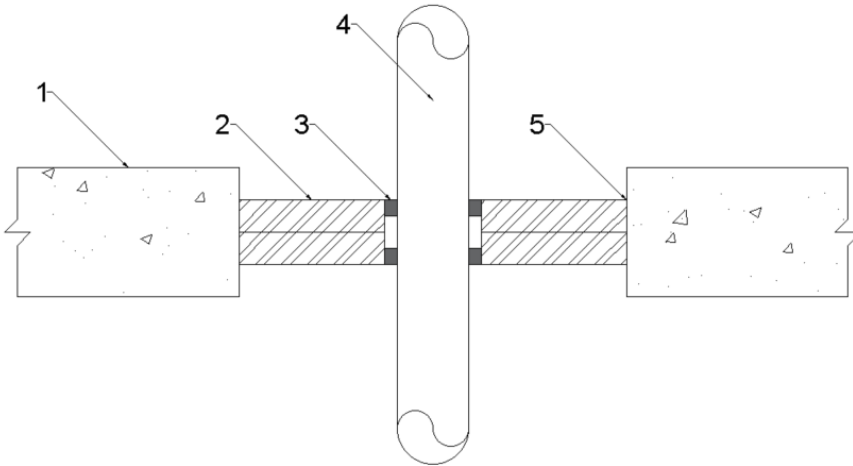


Appendix UL-EU CERTIFICATE

Certificate No. UL-EU-00771-CPR
 Page 151/157
 Date of Issue 2015-04-19

Double Layer, Stopseal Fire Batt 50mm, Plastic Pipes

Max Aperture 1000mm Wide x 1300mm Long



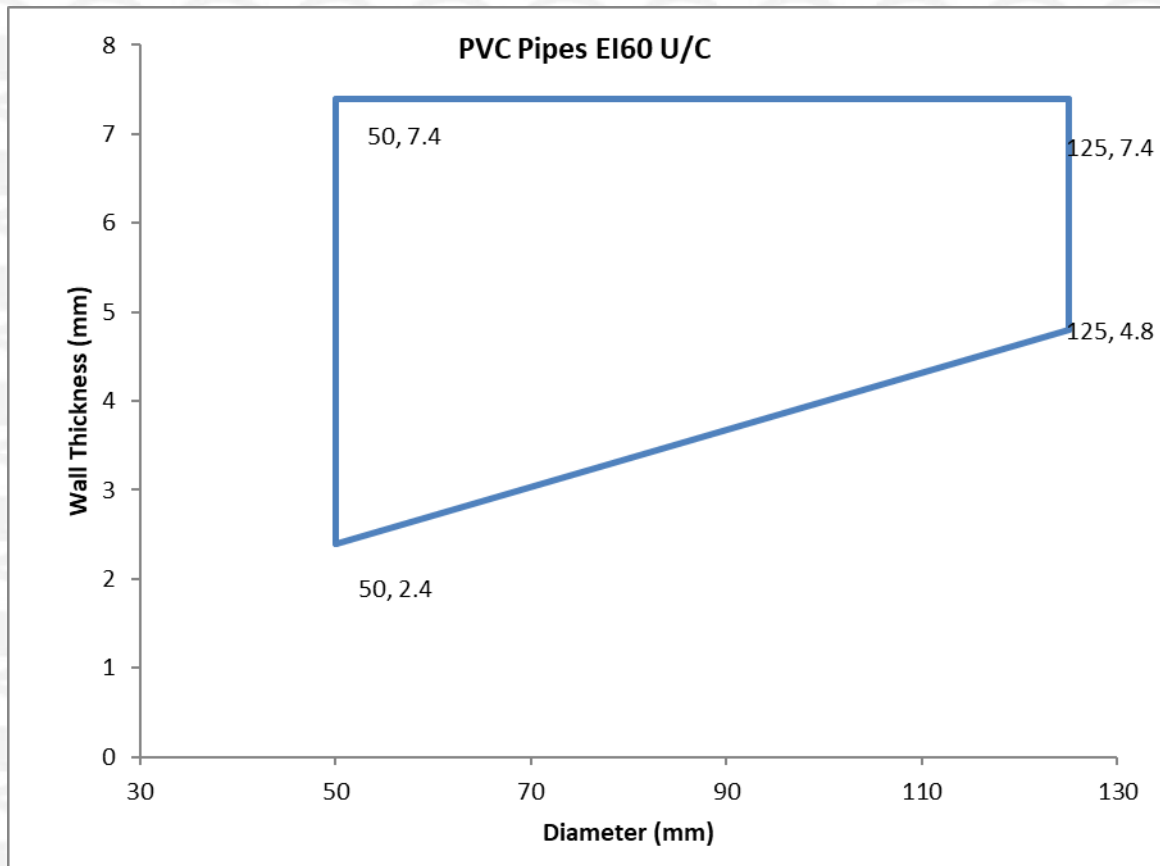
- Key**
1. Supporting construction
 2. Stopseal Batt
 3. Pyropro HPE
 4. Penetration Service
 5. Pyrocoustic Sealant

Penetration Specification	Pyropro HPE	Classification
Pipe Diameters as below	20mm annulus, 25mm deep both faces of the Stopseal Coated Batt	See graphs below



Appendix UL-EU CERTIFICATE

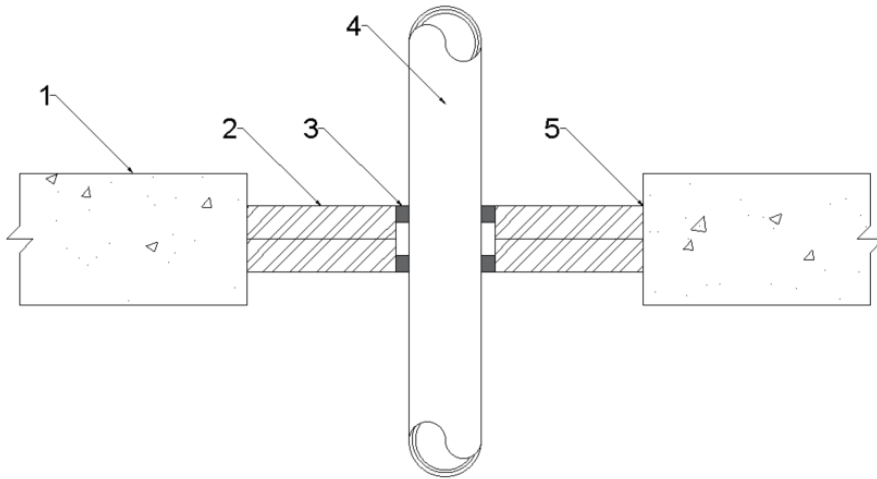
Certificate No. UL-EU-00771-CPR
Page 152/157
Date of Issue 2015-04-19



Appendix UL-EU CERTIFICATE

Certificate No. UL-EU-00771-CPR
 Page 153/157
 Date of Issue 2015-04-19

Max Aperture 1000mm Wide x 1300mm Long



Key

1. Supporting construction
2. Stopseal Batt
3. Pyropro HPE
4. Penetration Service
5. Pyrocoustic Sealant

Penetration Specification

Classification

Uponor MLC (Multi-Layer Composite) Pipe 40mm ϕ 4mm wall thickness

Uponor MLC (Multi-Layer Composite) Pipe 50mm ϕ 4.5mm wall thickness

Uponor MLC (Multi-Layer Composite) Pipe 63mm ϕ 6mm wall thickness

Uponor MLC (Multi-Layer Composite) Pipe 75mm ϕ 7.5mm wall thickness

Uponor MLC (Multi-Layer Composite) Pipe 90mm ϕ 8.5mm wall thickness

Uponor MLC (Multi-Layer Composite) Pipe 110mm ϕ 10mm wall thickness

EI 60 U/C

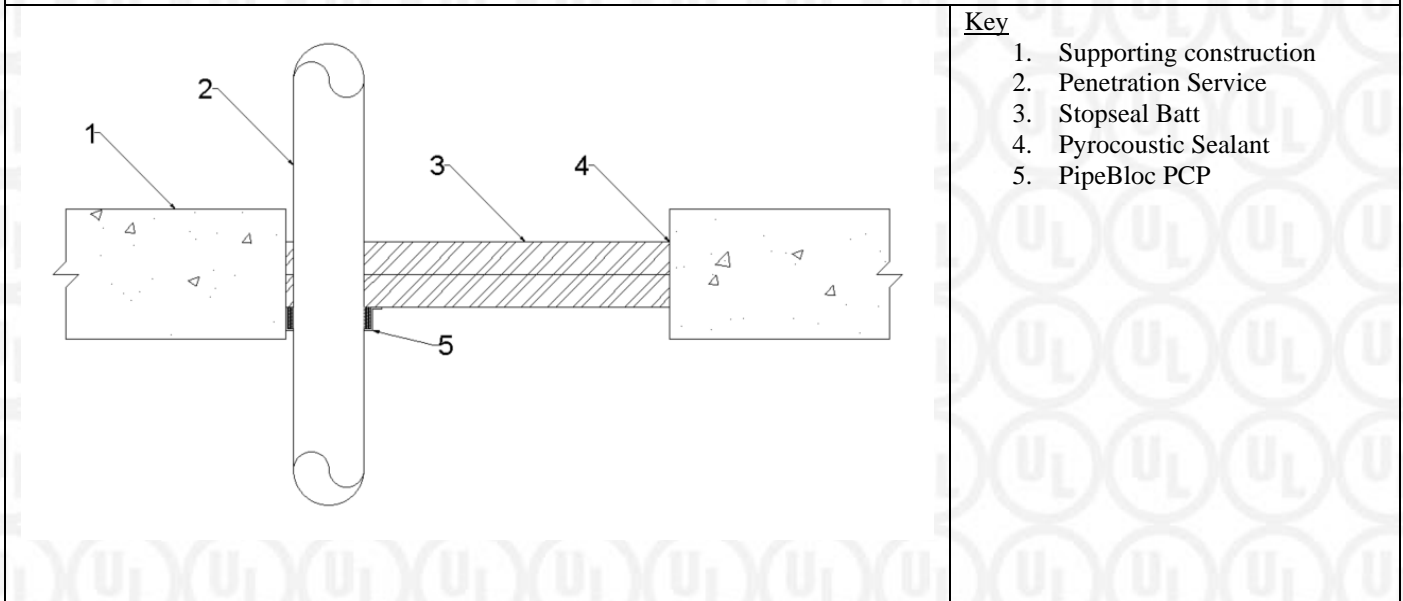
Pyropro HPE 20mm annulus full 50mm depth of the Stopseal Coated Batt



Appendix UL-EU CERTIFICATE

Certificate No. UL-EU-00771-CPR
 Page 154/157
 Date of Issue 2015-04-19

Max Aperture 1000mm Wide x 1300mm Long



- Key**
1. Supporting construction
 2. Penetration Service
 3. Stopseal Batt
 4. Pyrocoustic Sealant
 5. PipeBloc PCP

Penetration Specification	Pipe Bloc PCP Collars	Classification
Pipe Diameters as below. Zero Distance	Fixed to the underside of the Stopseal Coated Batt utilising steel pig tail fixings	EI 60 U/C

Penetration Specification	Collar Reference	Intumescent Material
PVC Pipe 32mm Ø 1.8mm wall thickness	32mm PipeBloc PCP	30mm (W) x 4mm (T)
PVC Pipe 40mm Ø 1.8mm wall thickness	40mm PipeBloc PCP	
PVC Pipe 50mm Ø 1.8mm wall thickness	50mm PipeBloc PCP	
PVC Pipe 55mm Ø 2.3-2.8mm wall thickness	55mm PipeBloc PCP	30mm (W) x 6mm (T)
PVC Pipe 63mm Ø 2.3-2.8mm wall thickness	63mm PipeBloc PCP	
PVC Pipe 75mm Ø 3.1-4.4mm wall thickness	75mm PipeBloc PCP	30mm (W) x 8mm (T)
PVC Pipe 82mm Ø 3.1-4.4mm wall thickness	82mm PipeBloc PCP	
PVC Pipe 90mm Ø 4.2-6.6mm wall thickness	90mm PipeBloc PCP	30mm (W) x 10mm (T)
PVC Pipe 100mm Ø 4.2-6.6mm wall thickness	100mm PipeBloc PCP	
PVC Pipe 110mm Ø 4.2-6.6mm wall thickness	110mm PipeBloc PCP	
PVC Pipe 125mm Ø 6.0mm wall thickness	125mm PipeBloc PCP	40mm (W) x 12mm (T)
PVC Pipe 140mm Ø 6.1-7.5mm wall thickness	140mm PipeBloc PCP	
PVC Pipe 160mm Ø 6.2-9.5mm wall thickness	160mm PipeBloc PCP	



Appendix UL-EU CERTIFICATE

Certificate No. UL-EU-00771-CPR
 Page 155/157
 Date of Issue 2015-04-19

Penetration Specification	Collar Reference	Intumescent Material
PP Pipe 32mm Ø 2.9mm wall thickness	32mm PipeBloc PCP	30mm (W) x 4mm (T)
PP Pipe 40mm Ø 2.9mm wall thickness	40mm PipeBloc PCP	
PP Pipe 50mm Ø 2.9mm wall thickness	50mm PipeBloc PCP	
PP Pipe 55mm Ø 2.9-4.4mm wall thickness	55mm PipeBloc PCP	30mm (W) x 6mm (T)
PP Pipe 63mm Ø 2.9-4.4mm wall thickness	63mm PipeBloc PCP	30mm (W) x 8mm (T)
PP Pipe 75mm Ø 2.8-6.7mm wall thickness	75mm PipeBloc PCP	
PP Pipe 82mm Ø 2.8-6.7mm wall thickness	82mm PipeBloc PCP	
PP Pipe 90mm Ø 2.7-10.0mm wall thickness	90mm PipeBloc PCP	30mm (W) x 10mm (T)
PP Pipe 100mm Ø 2.7-10.0mm wall thickness	100mm PipeBloc PCP	
PP Pipe 110mm Ø 2.7-10.0mm wall thickness	110mm PipeBloc PCP	
PP Pipe 125mm Ø 3.1mm wall thickness	125mm PipeBloc PCP	40mm (W) x 12mm (T)
PP Pipe 140mm Ø 3.5-8.0mm wall thickness	140mm PipeBloc PCP	
PP Pipe 160mm Ø 4.0-14.6mm wall thickness	160mm PipeBloc PCP	

Penetration Specification	Collar Reference	Intumescent Material
PE Pipe 32mm Ø 2.9mm wall thickness	32mm PipeBloc PCP	30mm (W) x 4mm (T)
PE Pipe 40mm Ø 2.9mm wall thickness	40mm PipeBloc PCP	
PE Pipe 50mm Ø 2.9mm wall thickness	50mm PipeBloc PCP	
PE Pipe 55mm Ø 2.9-4.4mm wall thickness	55mm PipeBloc PCP	30mm (W) x 6mm (T)
PE Pipe 63mm Ø 2.9-4.4mm wall thickness	63mm PipeBloc PCP	30mm (W) x 8mm (T)
PE Pipe 75mm Ø 2.8-6.7mm wall thickness	75mm PipeBloc PCP	
PE Pipe 82mm Ø 2.8-6.7mm wall thickness	82mm PipeBloc PCP	
PE Pipe 90mm Ø 2.7-10.0mm wall thickness	90mm PipeBloc PCP	30mm (W) x 10mm (T)
PE Pipe 100mm Ø 2.7-10.0mm wall thickness	100mm PipeBloc PCP	
PE Pipe 110mm Ø 2.7-10.0mm wall thickness	110mm PipeBloc PCP	
PE Pipe 125mm Ø 3.1mm wall thickness	125mm PipeBloc PCP	40mm (W) x 12mm (T)
PE Pipe 140mm Ø 3.9-5.8mm wall thickness	140mm PipeBloc PCP	
PE Pipe 160mm Ø 4.9-9.5mm wall thickness	160mm PipeBloc PCP	



Appendix UL-EU CERTIFICATE

Certificate No. UL-EU-00771-CPR
 Page 156/157
 Date of Issue 2015-04-19

Substrate	Minimum Substrate Thickness (mm)	Maximum Seal width (mm)	Minimum Seal Depth (mm)	Duct A / Duct B	Duct Specification (Duct must be classified in accordance with EN 13501-3/4 for the required period)	Fire Resistance (mins.)	
						E	S
Drywall/ Concrete/ Masonry wall	100	100	200*	A	EN 13501-3 - Uninsulated 1.0mm GMS steel, rectangular duct, maximum dimensions 1250 mm wide by 1000 mm high.	60	120
				B		120	-
Concrete floor	150	250	275**	A		120	120
				B		120	-
Drywall/ Concrete/ Masonry wall	100	100	400***	A		60	120
Drywall/ Concrete/ Masonry wall	100	100	200*	B		EN 13501-3 - Uninsulated 1.0mm GMS steel, rectangular duct, maximum dimensions 1250 mm wide by 1000 mm high. Duct insulated with Insulfrax 128 kg/m ³ , 25 mm thick for a length of 400 mm through the penetration seal (100 mm extending from both faces of the seal)	120
Drywall/ Concrete/ Masonry wall	100	100	200*	C	EN 13501-4 - Uninsulated 1.0mm GMS steel, rectangular duct, maximum dimensions 1250 mm wide by 1000 mm high. Duct insulated with Insulfrax 128 kg/m ³ , 25 mm thick for a length of 400 mm through the penetration seal (100 mm extending from both faces of the seal)	120	120

* 4 layers, outer layers overlapped

** 50 mm Stopseal Batt/100 mm Silverseal HS Compound/125 mm Stopseal Batt

*** 2 layers + 1 layer, 150 mm long fixed (with 75 and 100 mm pigtail screws and bedded on Pyropro HPE sealant) around the duct to form a collar on both faces of the main seal.



Appendix UL-EU Certificate

Certification Mark	UL-EU mark
Certificate No.	UL-EU-00771-CPR
Page	157/157
Date of Issue	2015-04-19

The UL-EU Mark, as displayed below, shall appear on certified products only. Minimum size is not specified, as long as the Mark is legible. The following is suggested.



The minimum height of the registered trademark symbol ® shall be 1 mm. When the overall diameter of the UL-EU Mark is less than 9.5 mm, the trademark symbol may be omitted if it is not legible to the naked eye.

The UL-EU Mark may appear on a label, nameplate, or may be cast, stamped or molded into the product. When appearing on a label or nameplate, the Manufacturer's name or trademark along with a model number are also required on that same label or nameplate. If cast, stamped or molded, the Manufacturer's name or trademark and model number shall also appear elsewhere on the product.

All content shall be in accordance with the details provided on this UL-EU Certificate.

PROCUREMENT

The Production site may reproduce the Mark or obtain it from a UL authorized supplier. The list of UL authorized suppliers can be found on UL's online directory at www.ul.com.

