

CONNECTION & SUPPORT ACCESSORIES

Halogen FREE

**COUPLING
HF RIGID**

**COUPLING
HF SPIRAL**

**BEND
90° HF**

**CLIP
SNAP**

**CLIP
ΩMEGA**

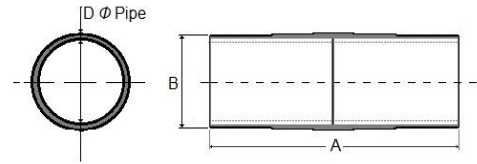

TECHNICAL DATA SHEET

Reference:	LVD 2014/35/EU			
Directives & Standards:	EN 61386-1:2008 Cable Management General Requirements EN 61386-21:2004 + A11:2010 Rigid Conduit Systems EN 61386-22:2004 + A11:2010 Pliable Conduit Systems EN 60529 Degrees of Protection IP Rate			
Smoke Density:	DIN EN 61034-2 (VDE0482-1034-2)2014-11:EN 61034-2:2005+A1:2013			
Acidity:	DIN EN 60754-2 (VDE 0482-754-2) : 2015-08 EN 60754-2:2014			
Amount of Halogen acid gas:	DIN EN 60754-1 (VDE 0482-754-1) : 2015-08 EN 60754-1:2014			
Applications	In Door - Residential - Industrial Cable routing Management Exposed - Wall mounted			
Installations	Wiring - Power – Lighting – Automation			
Characteristics:	Cable management system in combination with relevant conduit. Rigid - Pliable Non Flame propagating - Self Extinguishing In case of fire they don't release Halogen acids (Chlorine, Fluorine, Bromine, Iodine, Astatine)			
Structural Material:	Modified Thermoplastic Polyolefin			
IP Rate	Solid Protection	X5	Water Protection	X4
Temperature Range:	- 25 °C + 105 °C			
Electrical Properties:	Dielectric Strength	2kv/15min	Insulation Resistance	>100MΩ
Color	Grey - RAL 7035			


IP54

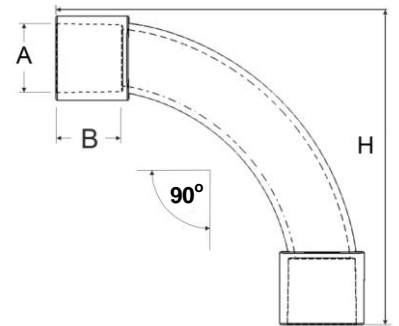

COUPLINGS- HF

TYPE:	RIGID 16	RIGID 20	RIGID 25	RIGID 32
CODE:	38-200 30-016	38-200 31-020	38-200 32-025	38-200 33-032
ΤΥΠΟΣ:	SPIRAL 16	SPIRAL 20	SPIRAL 25	SPIRAL 32
CODE:	38-200 20-016	38-220 21-020	38-200 22-025	38-200 23-032
A / mm	60,3	69,5	78,9	88,5
B ODØ / mm	21,2	24,4	29,9	36,3
D Pipe ODØ / mm	16	20	25	32
Packing/ pcs	50	50	50	10



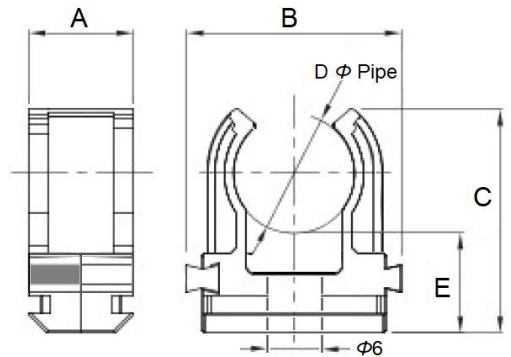
BENDS 90° HF

TYPE:	16	20	25	32
CODE:	39-200 20-016	39-200 21-020	39-200 22-025	39-200 23-032
A Ø / mm	16	20	25	32
B / mm	16	21,5	25,3	26,5
H / mm	70	90	114	131
Packing/ pcs	50	50	10	5



CLIPS SNAP

TYPE:	16	20	25	32	40	50
CODE:	34-211 01-016	34-211 02-020	34-211 03-025	34-211 04-032	34-211 05-040	34-211 06-050
A / mm	12,6	12,6	12,8	12,8	12,8	12,7
B / mm	26	30	35,3	41,9	50,3	61,8
C / mm	27,4	30	33,6	37,5	43,7	51
D Pipe ODØ / mm	16	20	25	32	40	50
E / mm	11,2	11,8	12	12,1	12,1	13
Packing/ pcs	100	100	100	100	50	50



CLIPS ΩMEGA

TYPE:	16	20	25	32
CODE:	41-200 01-016	41-200 02-020	41-200 03-025	41-200 04-032
A / mm	13,7	13,6	12,9	14,2
B / mm	32,4	39,2	41,4	51,2
C / mm	27,5	31,7	37,4	45,4
D Pipe ODØ / mm	16	20	25	32
Packing/ pcs	100	100	50	50

